



The vertical awning that provides privacy and sun protection

Create a private environment on your patio with VertiTex – transparent, air and light permeable

www.weinor.com

Relax al Fresco |

weinor



VertiTex WeiTop



VertiTex Universal

Lateral screen

The **VertiTex** is the perfect option for providing vertical shade on all weinor **WeiTop** products.

Simply hang it into the gutter and installation is complete.

The **VertiTex Universal** has been designed with the shading of windows in mind. It fits easily onto the window frame or embrasure depending on whether guide rails or wires are used.

Technical details

Embodiment

- **VertiTex Universal** = wall or ceiling mounted window shade
- **VertiTex Universal** = guide rail/zip system = wall or ceiling mounted window shade
- **VertiTex WeiTop** = to shade every WeiTop product except those with roof overhang

Max. sizes

VertiTex WeiTop (wire version)

- Single-section: up to 600 cm wide Unit height up to 240 cm with Soltis® 86, 92 and 93 Unit height up to 220 cm with 9 seamless acrylic single-colour fabrics

VertiTex Universal with guide rail/zip system/wire

- Single-section: up to 600 cm wide Unit height up to 240 cm, up to 350 cm wide Unit height

up to 400 cm (a larger housing is used depending on the height of the unit)

- For unit heights > 240 cm: fabric seams produced to weinor specifications For unit heights > 340 cm: Soltis® extra-wide fabric only

Technical equipment

- Ideal vertical shading for **WeiTop** products and windows
- Side guiding with steel wires
- Bottom rail connected on floating bearings
- Floating mounts guarantee minimum sagging of plant and therefore an ideal fabric level and engine smoothness
- Different attachments

Pattern

- Soltis® 86 (standard), Soltis® 92 and Soltis® 93, 9 seamless acrylic uni fabrics

Powder coating

- In 47 standard colours and 8 conservatory trend colours at a minimal extra charge
- Surface permanently resistant to scratching und weather

Drive

- Motor as standard

Options

Drive

- Remote controlled motor

Controls

- Sun and wind monitor

Powder coating

- Other RAL colours
- Other structure colours

The technical product highlights of the VertiTex WeiTop (wire guide version)



VertiTex WeiTop

Full protection from glare

VertiTex WeiTop

The VertiTex WeiTop has been designed as a vertical shade for WeiTop products. The VertiTex is hung in front of the gutter so that it sits flush, making it impossible for it to collide with any glazing elements.

Using "connecting" cover caps with the VertiTex WeiTop gives you uninterrupted, uniform shade on hipped roof shapes (Types I and G).



Stainless steel guide bolts

The bolts used on the wire retainers are, naturally, stainless steel, while the floating bearing connection to the front rail makes certain that there is enough "play" to withstand strong winds, for example: no jamming – just safe, secure, smooth movement.

Motor drive

The standard motor has automatic reverse for tensioning.

Length used on drain pipe

Due to the presence of the post, it is recommended that the awning should only project as far as the union on the drain pipe.

The technical product highlights of the VertiTex Universal

VertiTex Universal

The Universal model is suited to installation on the window frame or embrasure. It can also be fitted under patio roofs, however.

The minimal dimensions of its housing mean the Universal is visually unobtrusive when fitted.



VertiTex Universal Seil



VertiTex Universal wire



stainless steel bolts in the drop profile

Stainless steel guide bolts

The bolts used on the wire retainers are, naturally, stainless steel, while the floating bearing connection to the front rail makes certain that there is enough “play” to withstand strong winds, for example: no jamming – just safe, secure, smooth movement.

i For VertiTex Universal with wire with a unit height of > 240 cm, we recommend opening/retracting the unit fully in windy conditions so as to avoid any banging noises.

The technical product highlights of the VertiTex Universal with guide rail and zip system

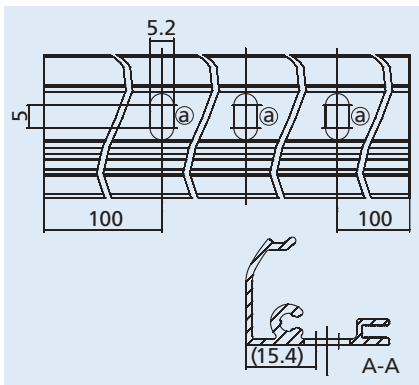
Side guide system with guide rails

The side guide system comprises an outer and inner guide. The inner guide is made of HPVC and incorporates neoprene buffers

(60 mm long) that catch gusts of wind. The zip is fed into the plastic inner guide and the fabric is held in place inside the guide.

There is sufficient play between the fabric and the aluminium/plastic side guide system to ensure smooth operation.

Punched holes in guide rail



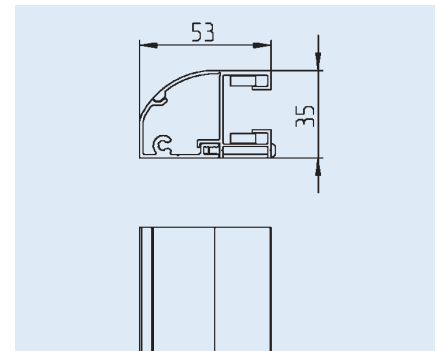
Punched holes in guide rail

Length of guide rail	Standard number of punched holes required to affix the guide rail Slotted holes \varnothing 5.2
500 – 1500	3
1300	4
2000	5
2500	6
3000	7
3500	8

An intelligent zip system ensures that the FIXSCREEN® remains wind-tight in any position and keeps insects out when closed. The principle is simple and involves a sunscreen fabric being fitted with a special edging and zip. As a result, the entire component sits securely inside the two guide rails.

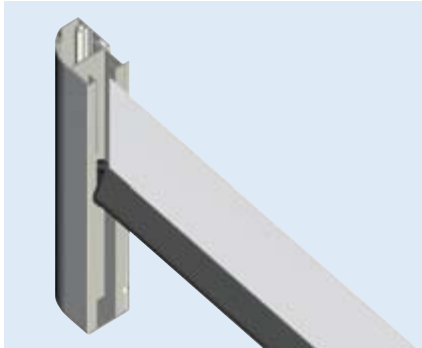


Guide rail with zip system

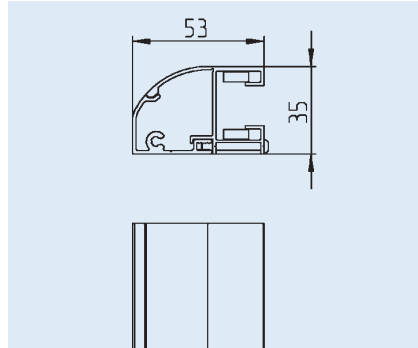


Dimensions of guide rail

The technical product highlights of the VertiTex Universal with guide rail



Guide rail with fabric



Dimensions of guide rail

The side guide system runs on guide rails. The drop profile travels laterally in the guide rails by means of a low-noise moving sliding support. This special mechanism makes for quiet-running, safe and secure operation.

Mounting of VertiTex



wire bracket, small for **WeiTop** products



wire bracket, mini



wire bracket, small

The wire bracket on the **VertiTex WeiTop**

The various wire bracket retainers are designed to meet all WeiTop installation situations: a simple adjusting mechanism allows the wire bracket to move into whatever position is required. We also supply a wire retainer to handle installations involving indented posts.

The wire bracket on the **VertiTex Universal**

The window sill bracket is used to screw-fit the unit to the window sill, for example. The standard small wire bracket (supplied) is a popular solution for sturdy installation surfaces.



wire bracket, large



Wire bracket for circumferential units from the **WeiTop** product line



Window sill bracket



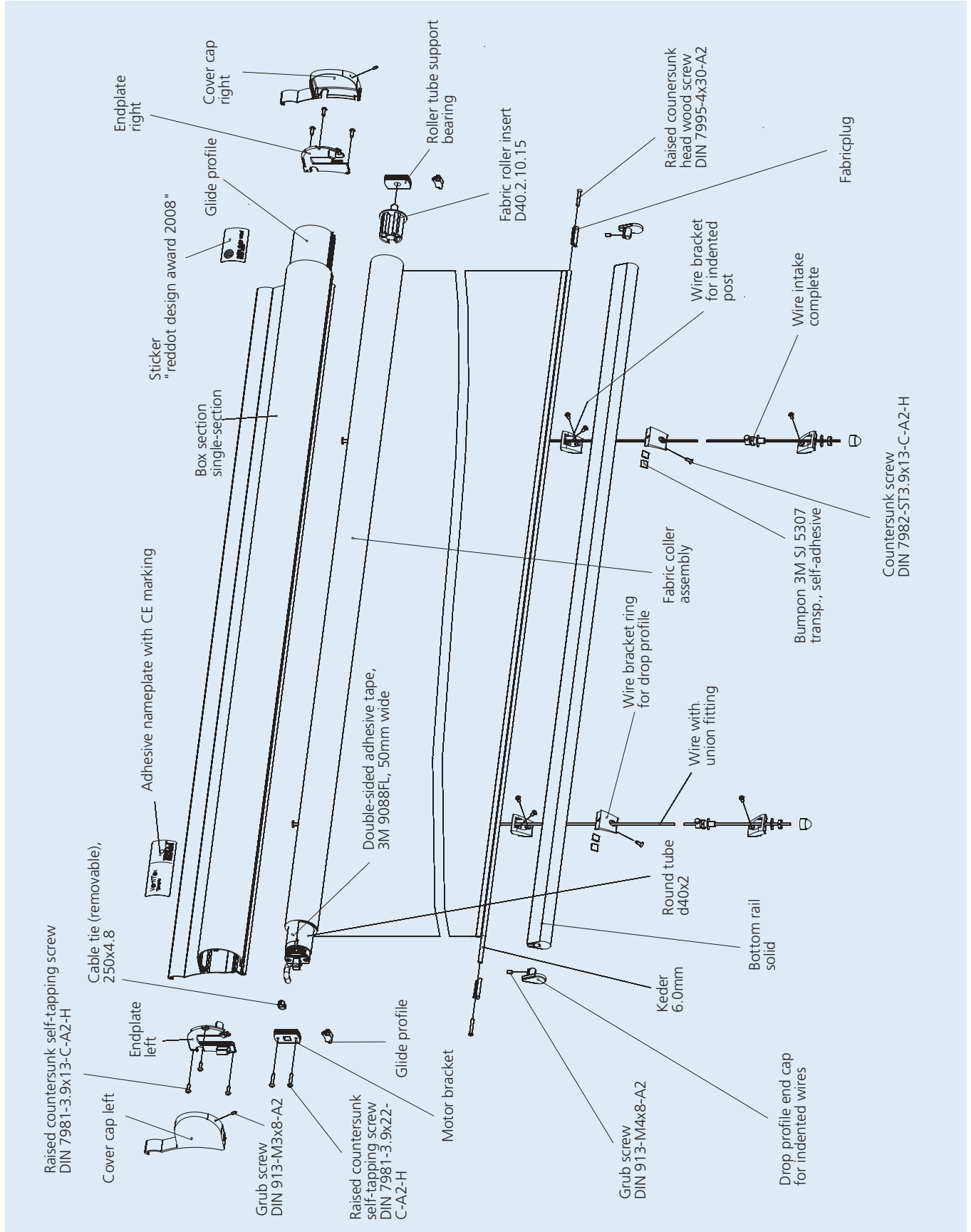
Window sill bracket (double)

Note: Installation of the **VertiTex WeiTop** requires screwing it to the WeiTop posts as well as the drain

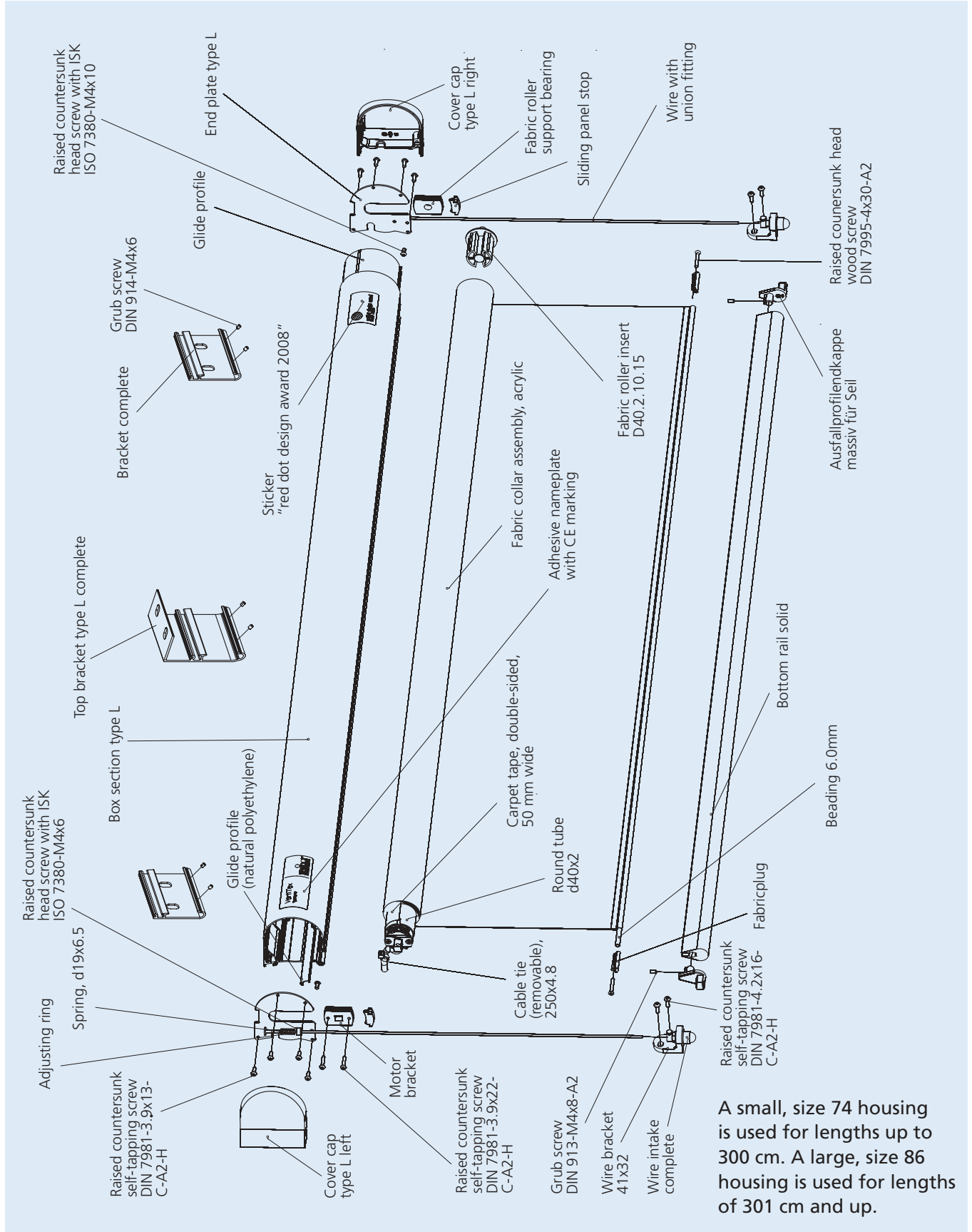
Product benefits at a glance

Designation	Material	Surface treatment	Qualities	Your advantages
Casing section, Front rail	Aluminium, extruded	Chrome-free pre-treated, powder coated	Surface permanently resistant to scratching and weather	You choose the powder coating colour for your VertiTex sections to suit your personal taste. Pre-treating the profiles prevents corrosion altogether, even on damaged surfaces.
Screws and connecting elements	Stainless steel		Non-corrosive	No rust, no appreciable wear and tear
Drive motor			Precisely manufactured, robust design	The awning is opened and retracted by an electric tubular motor integrated into the front rail and operated by, for example, a wall switch.
Remote-controlled drive				On request, an integrated tubular motor with WeiTronic receiver can be fitted. The WeiTronic Remoto handheld remote control makes for easy operation of the awning. See the Accessories section for more details.
Fixings Standard and special models	Aluminium, strand pressed, profiles cut and finished	Edges mechanically finished, pretreated without chrome, and powder coated	Surface permanently resistant to scratching and weather	Reasoned quality, precise and weatherproof to the last detail. Similar components make servicing easier.
Awnings material	Soltis®	Specially coated polyester fibre	Microvented, light permeable	Slim fabrics allow slim top boxes and maximum length
	Seamless acrylic uni fabric	Spin-jet dyed, impregnated	Water and dirt repellent surface so called Hi-clean nanotechnology	The weinor fabric collection offers a wide variety of sophisticated patterns.
	Polyglass film		Tear-resistant, elastic, heat resistant, waterproof	Transparent and near-invisible
Roller in the guide profile	Plastic		Non-corrosive	Opens and retracts safely and securely Low-noise

Exploded drawing of the VertiTex WeiTop with indented post



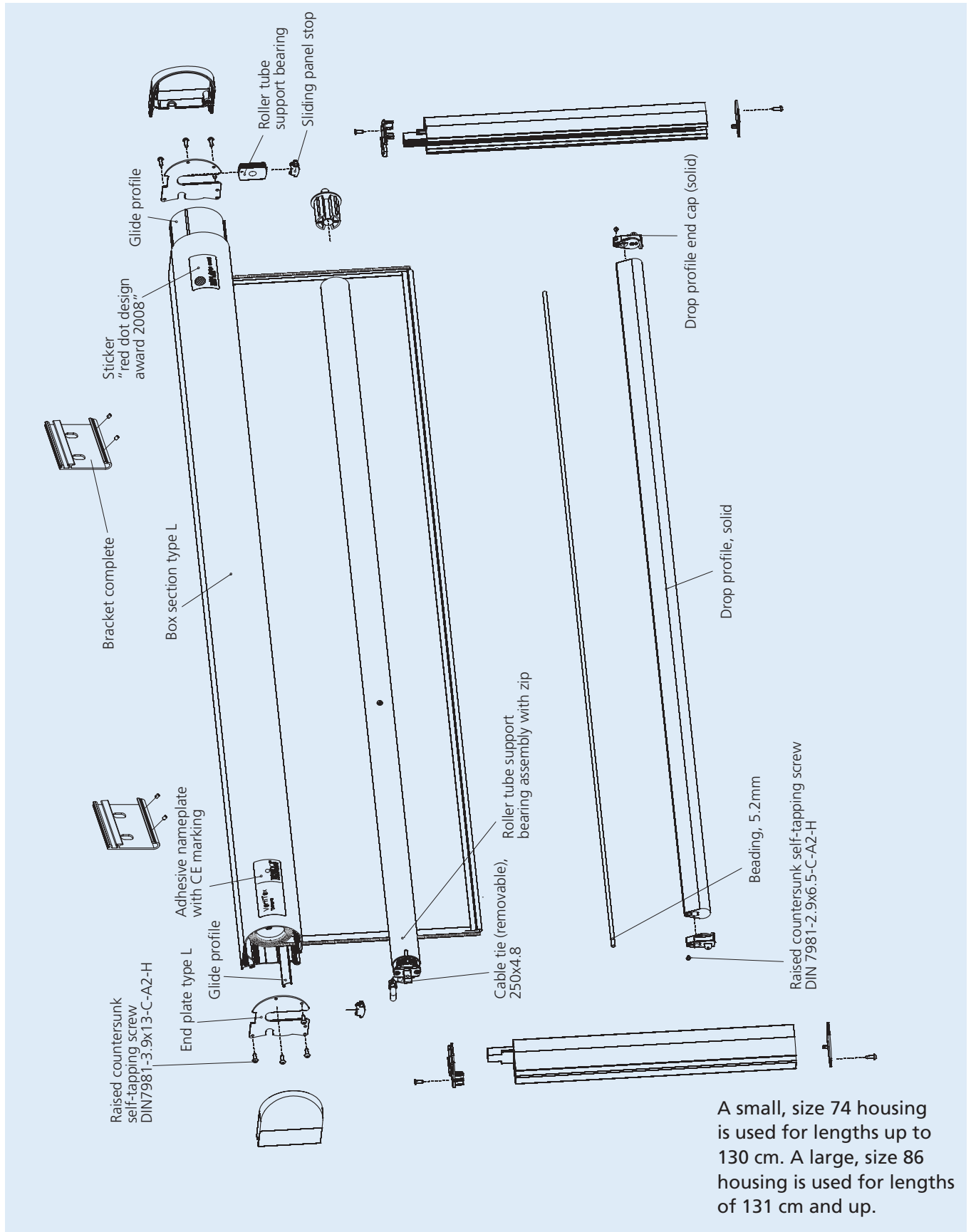
Exploded drawing of the VertiTex Universal with wire



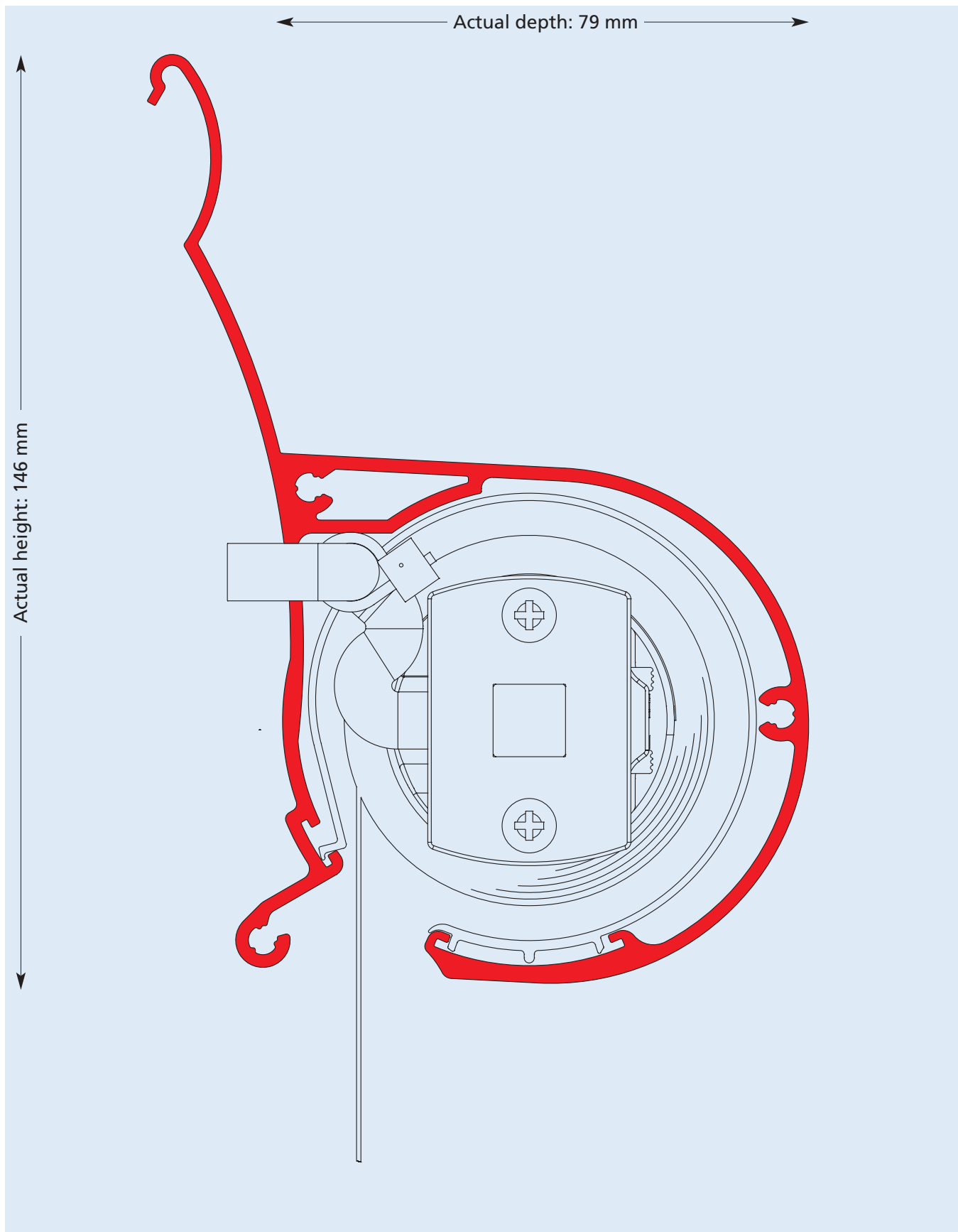
We reserve the right to make technical alterations. February 2011

Exploded drawing of the VertiTex Universal with guide rail and zip

We reserve the right to make technical alterations. February 2011

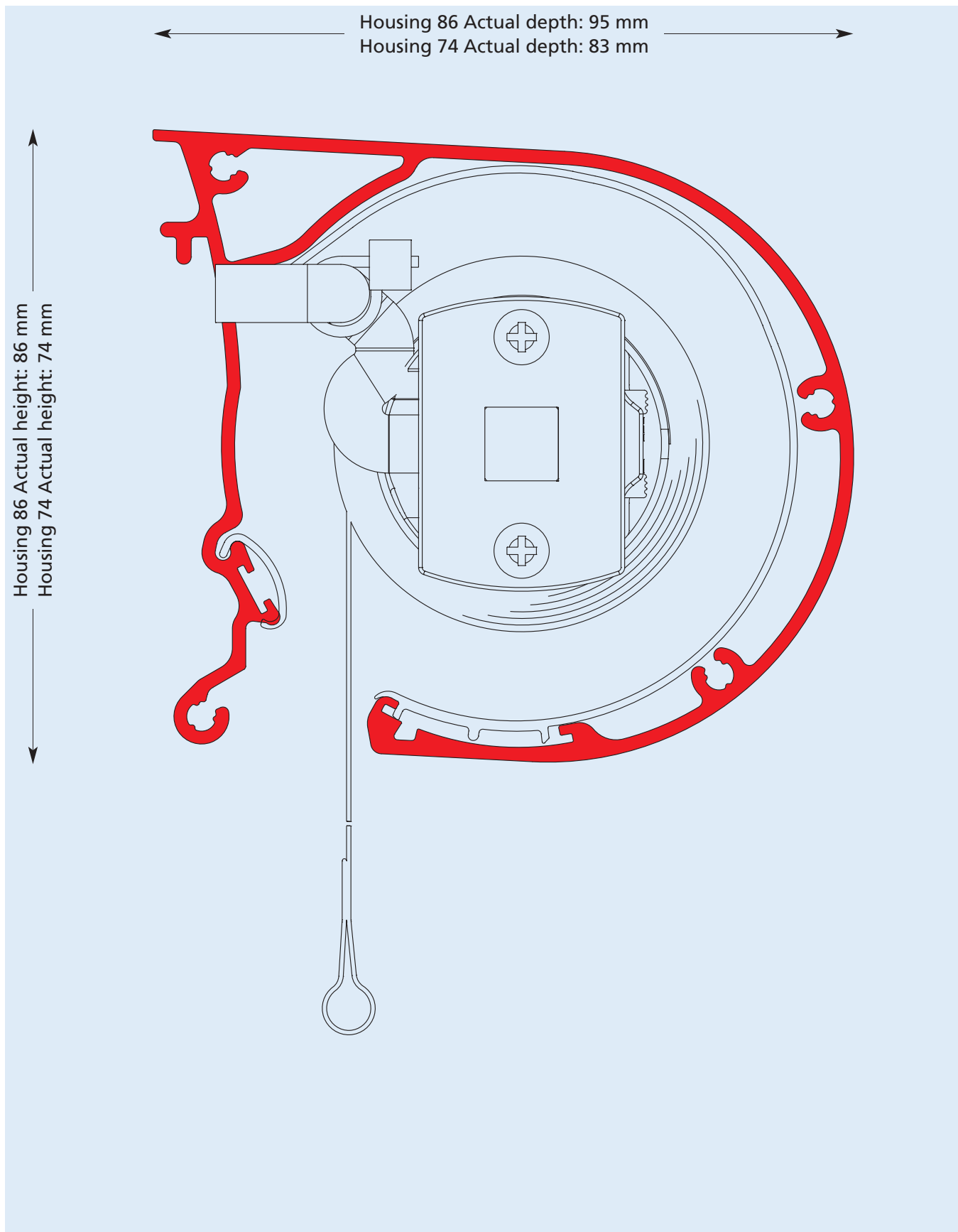


Cross-section of VertiTex Universal – not to scale

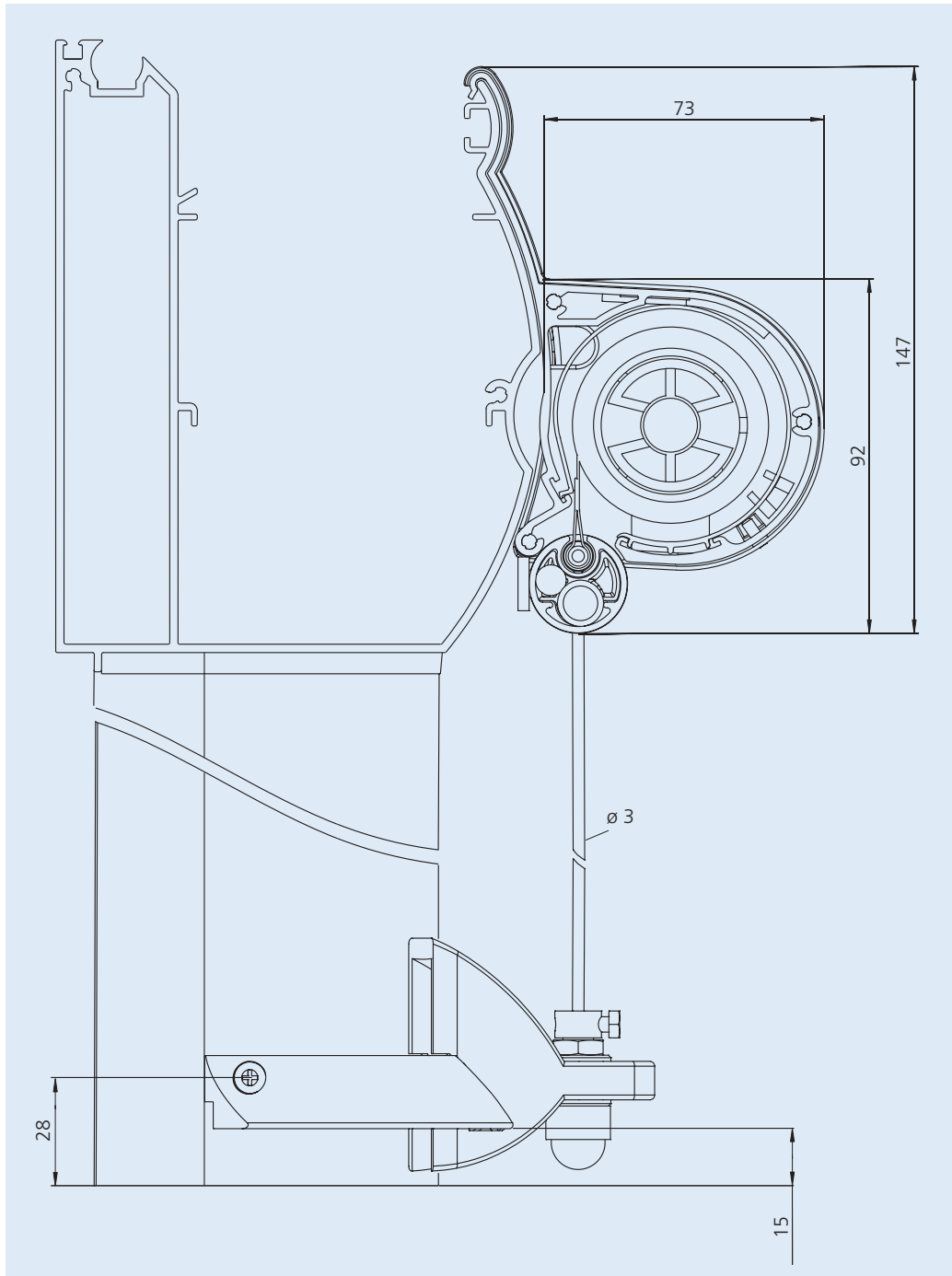


We reserve the right to make technical alterations. February 2011

Cross-section of VertiTex Universal – not to scale



Cross-section and dimensions of VertiTex WeiTop for WeiTop products



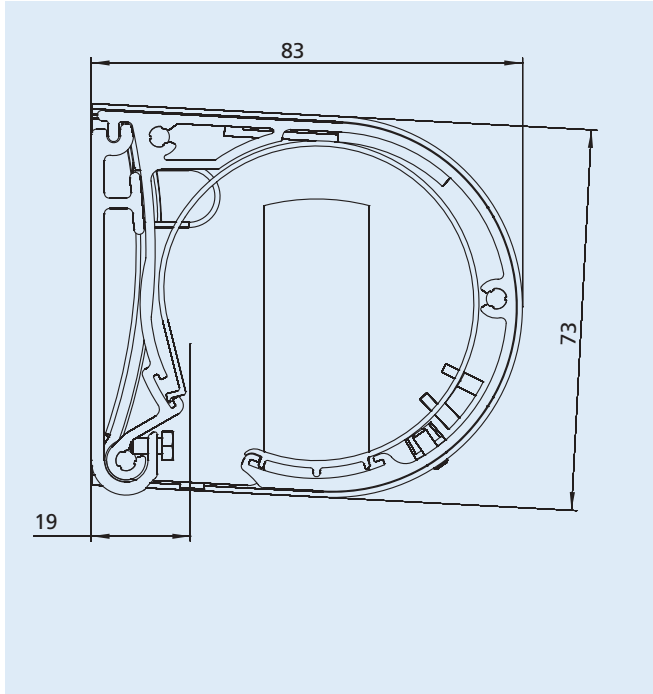
Schematic diagram (side view) of the **VertiTex WeiTop** (attached to a **WeiTop** gutter)

Height of unit is 10 cm higher than the bottom edge of the gutter.

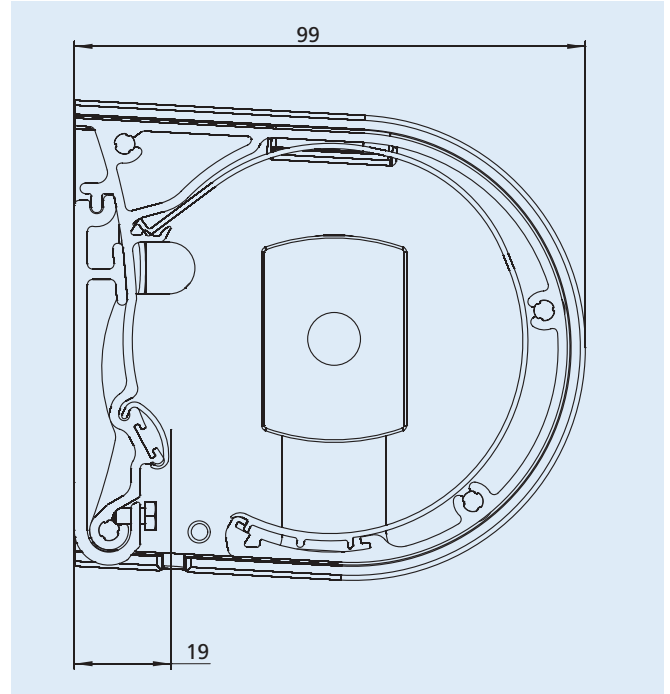
With wire bracket ring and wire bracket stay

The bottom edge of the wire bracket must be at least 15 mm off the ground

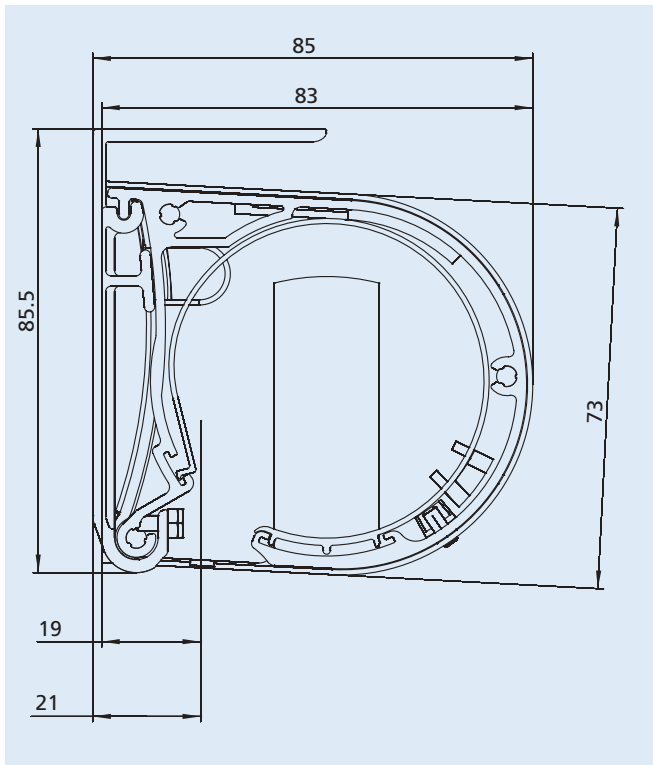
Cross-section and dimensions of VertiTex Universal



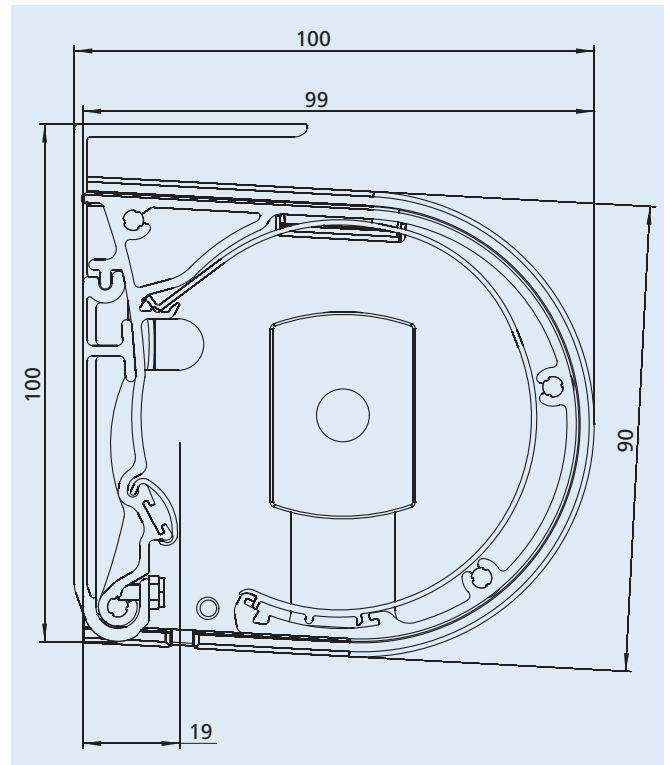
74 housing: Cross-section through wall bracket



86 housing: Cross-section through wall bracket

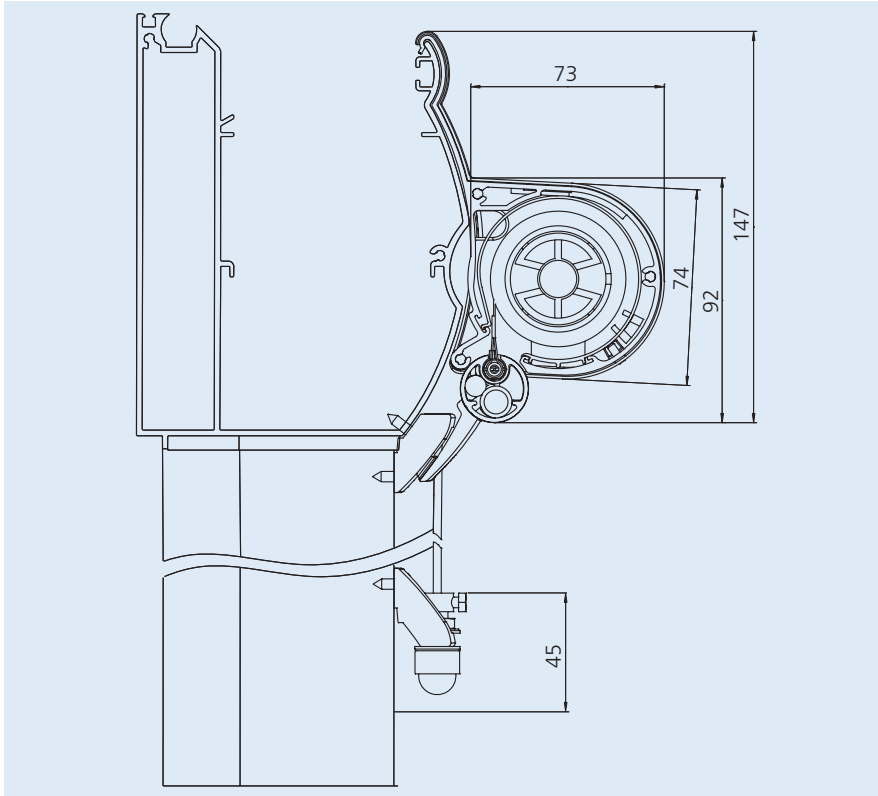


74 housing: Cross-section through ceiling bracket



86 housing: Cross-section through ceiling bracket

Installation scenario for VertiTex WeiTop (indented post version*)

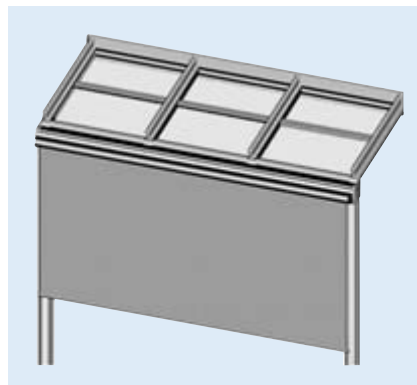
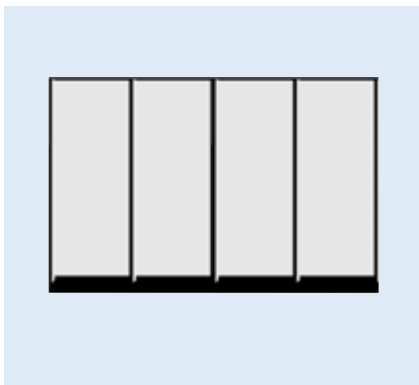


With wire bracket for indented posts and indented post wire guide

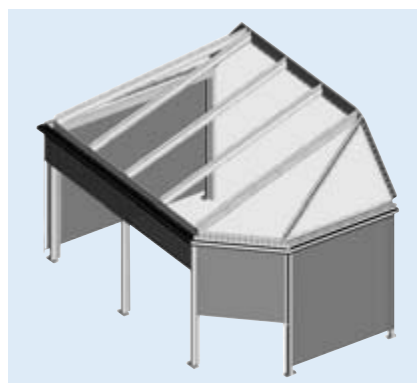
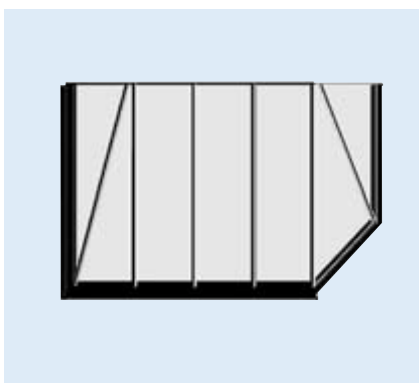
The drill hole must be at least 45 mm off the ground

* not possible with WeiTop roof overhang

VertiTex WeiTop for WeiTop roof shapes

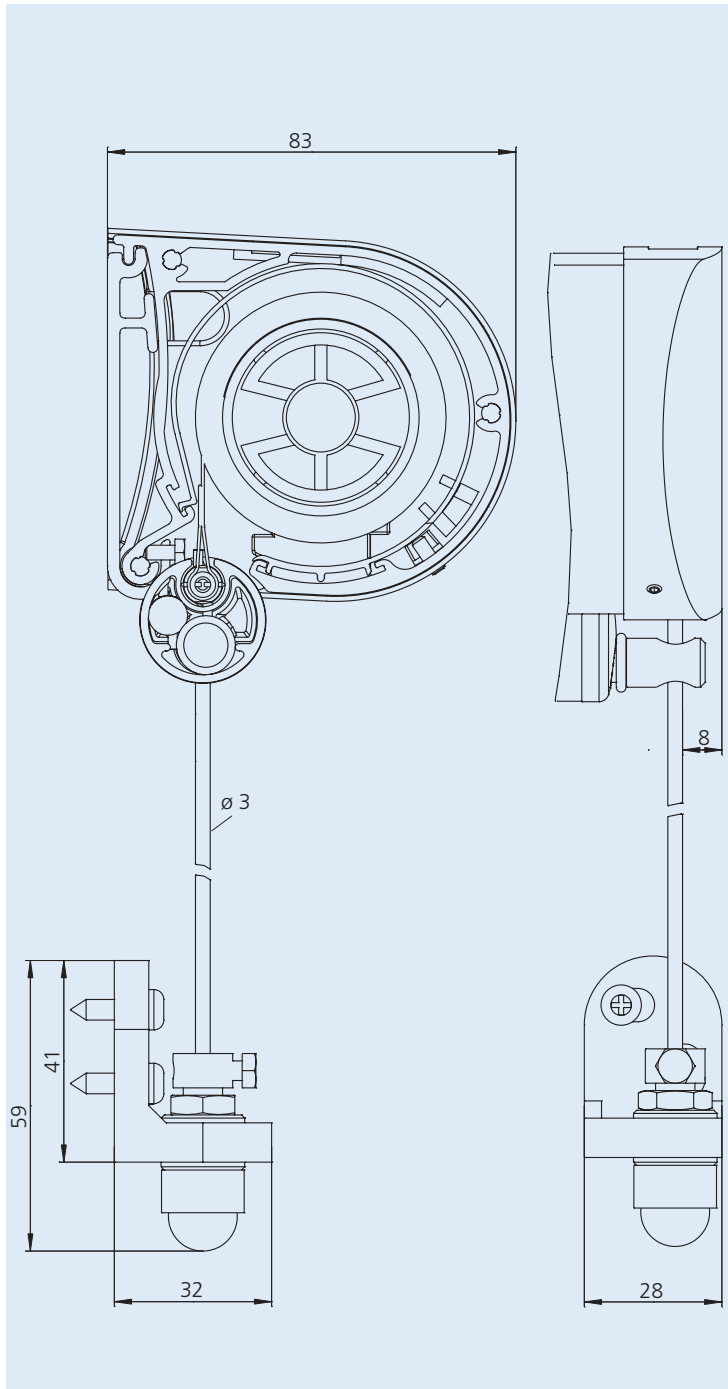


For WeiTop Terrazza and WeiTop Vivienda Types A and B

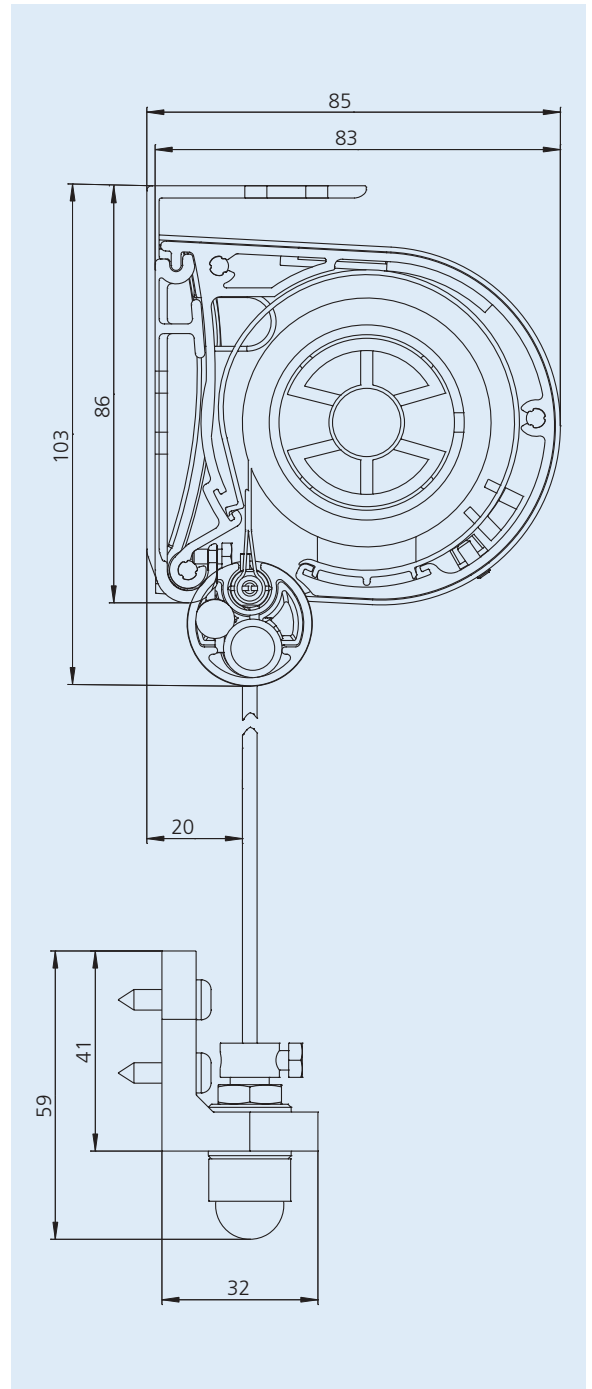


For WeiTop Terrazza and WeiTop Vivienda Types I and G

Standard installation options for VertiTex Universal



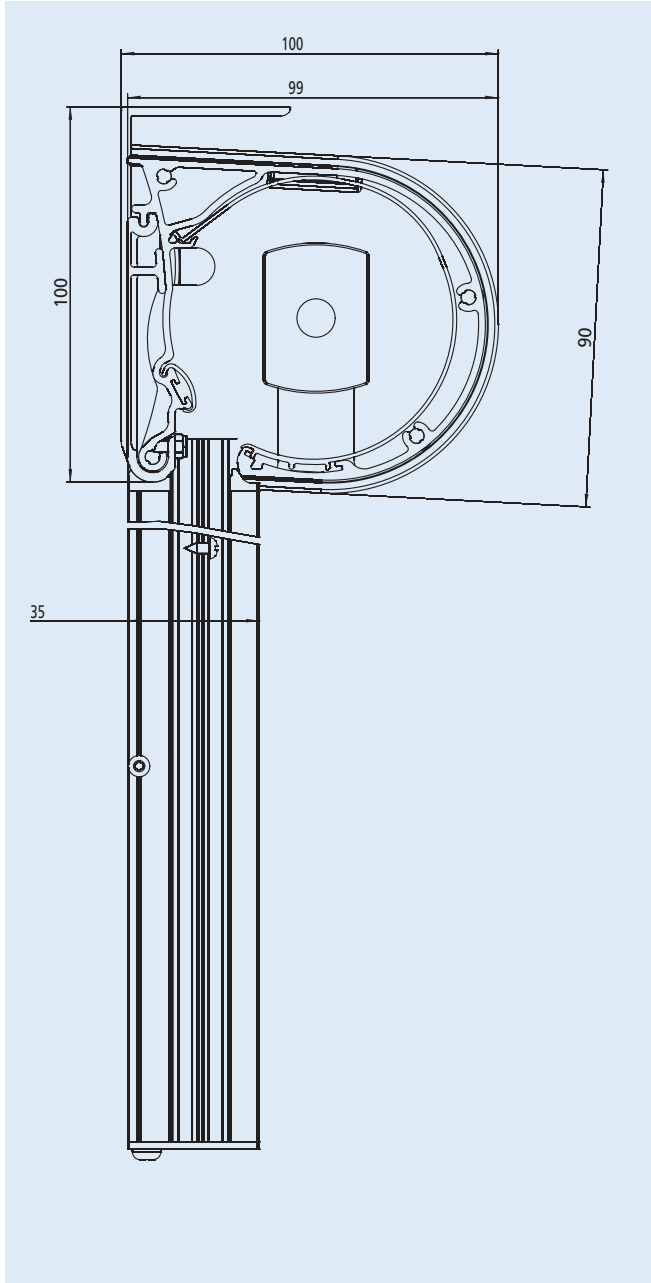
VertiTex Universal
Wall mounting using standard
(small) wire bracket attachment
Minimum distance from ceiling =
8 mm



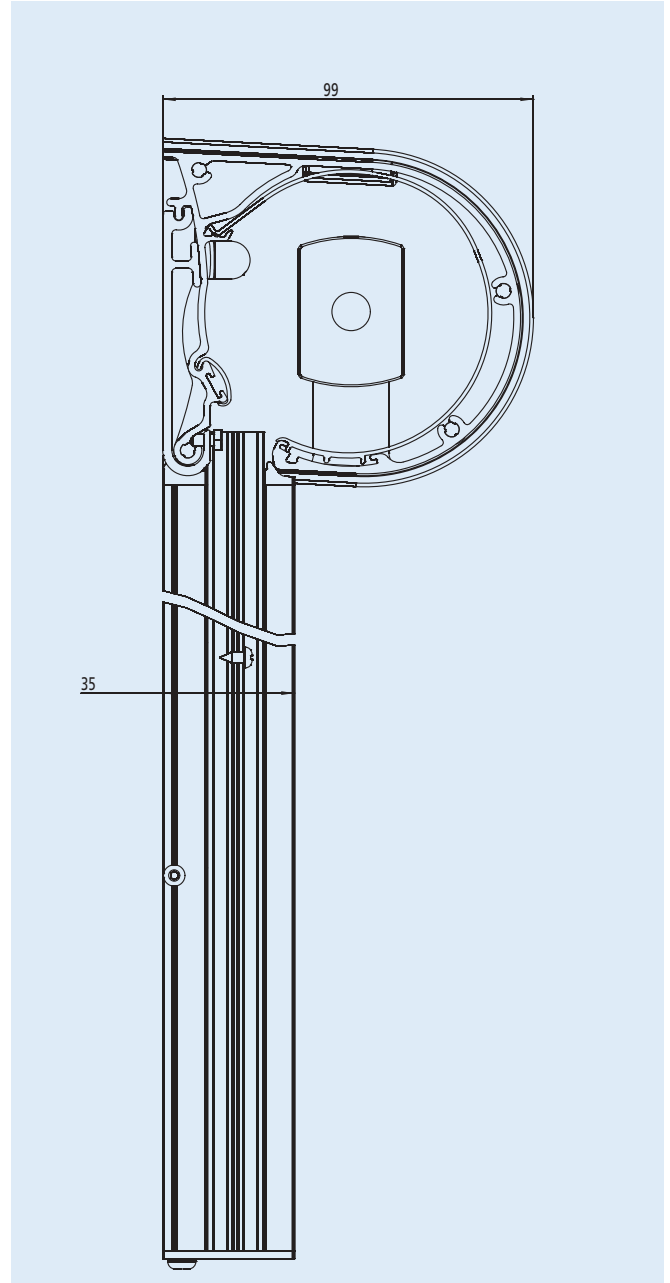
VertiTex Universal
Top mounting

Standard installation options for VertiTex Universal with guide rails and zip system

We reserve the right to make technical alterations. February 2011

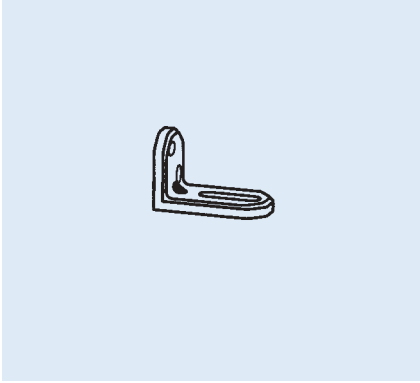


Vertitex Universal guide rail
Top mounting
Cross-section showing ceiling bracket

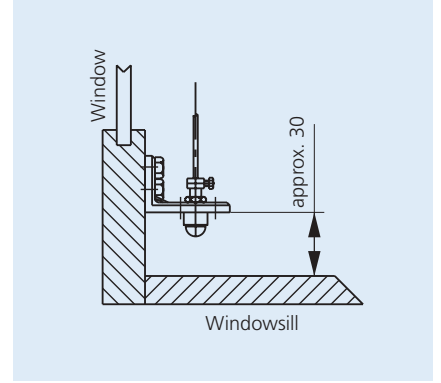
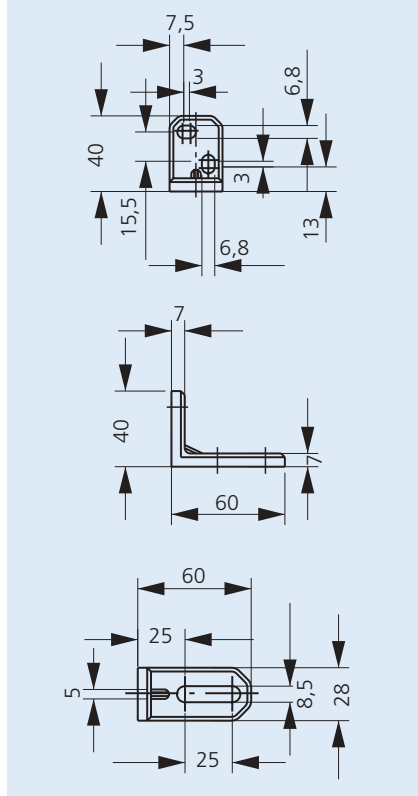


Vertitex Universal guide rail
Wall mounting
Cross-section showing wall bracket

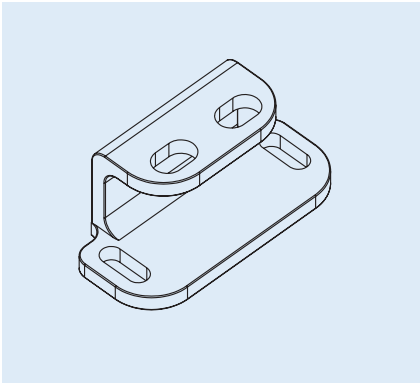
Special attachment for wire



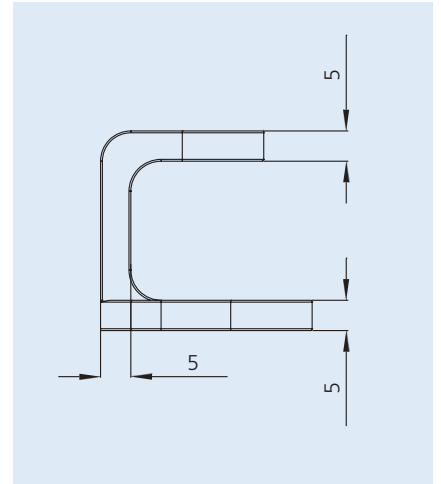
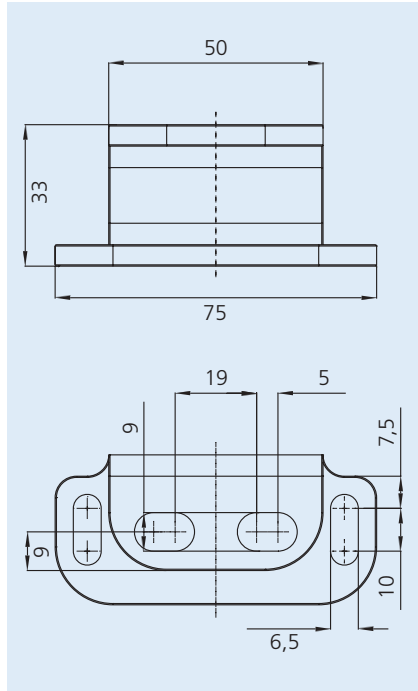
wire bracket, small
for window mount



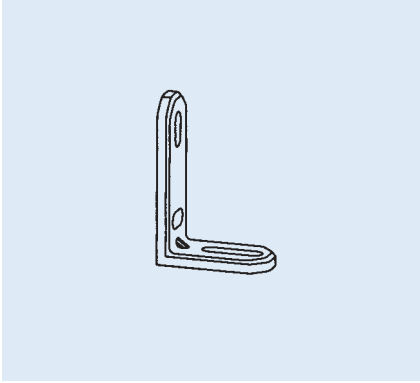
We reserve the right to make technical alterations. February 2011



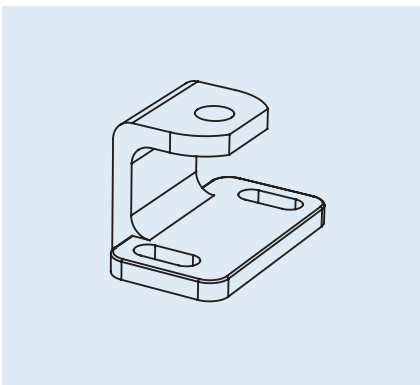
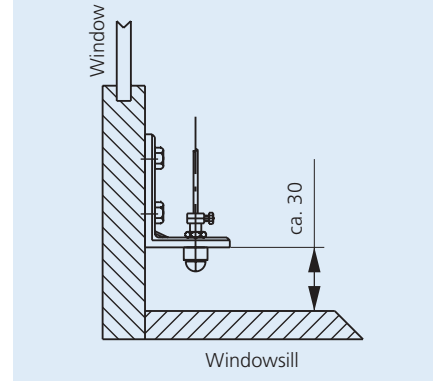
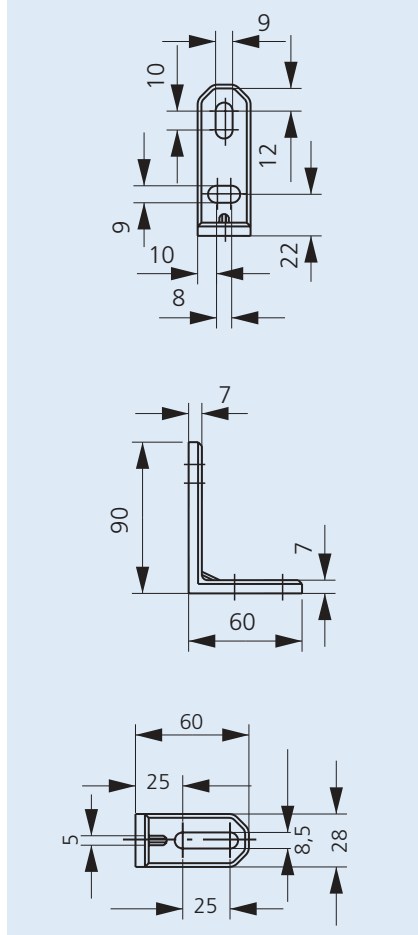
window sill bracket (double)



Special attachment for wire



wire bracket, large
for window mount



windowsill wire bracket for
window mount

