



SIRO SR4000

Side shade

SR4000



Description

Side shade with integrated auxiliary spring element for multiple applications. Box made of extruded aluminium profiles with side end caps, incl. installation flange in aluminium casting with adjustable position 90°. Projection tube made of extruded aluminium profiles with grooves for the cover and the handle. Handle in aluminium casting and continuously adjustable in height. Roller tube made of steel with profile groove for the cover incl. auxiliary spring element for the tension of the cover and for the retraction mechanism. The size of the box allows max. 250cm cover with 300g/m². To stop the projection, insert the handle on the fixation SR416 or on the fixation post (option).

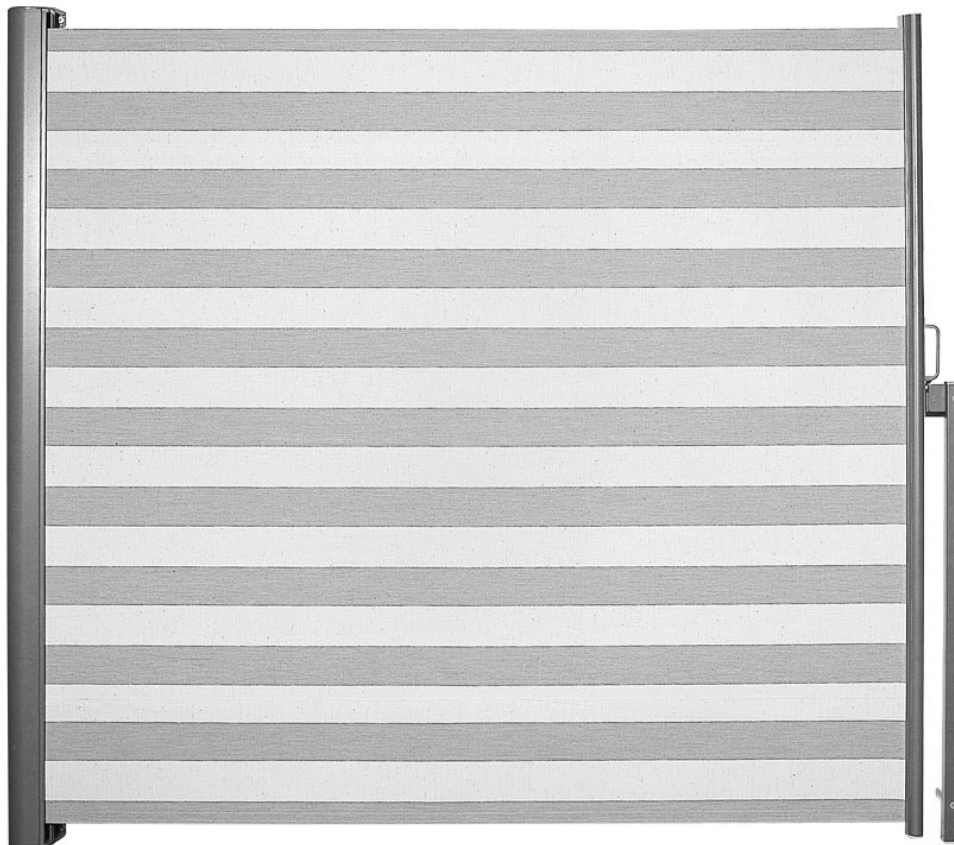
Option:

Screw on post with base plate to be fixed on solid ground.

Plug-in post with floor sleeve. The steel execution can be moved easily in additional floor sleeves.

METHOD OF DELIVERY

SIRO SR4000 fully assembled with cover, optional counterpart for braking is supplied but not fitted.



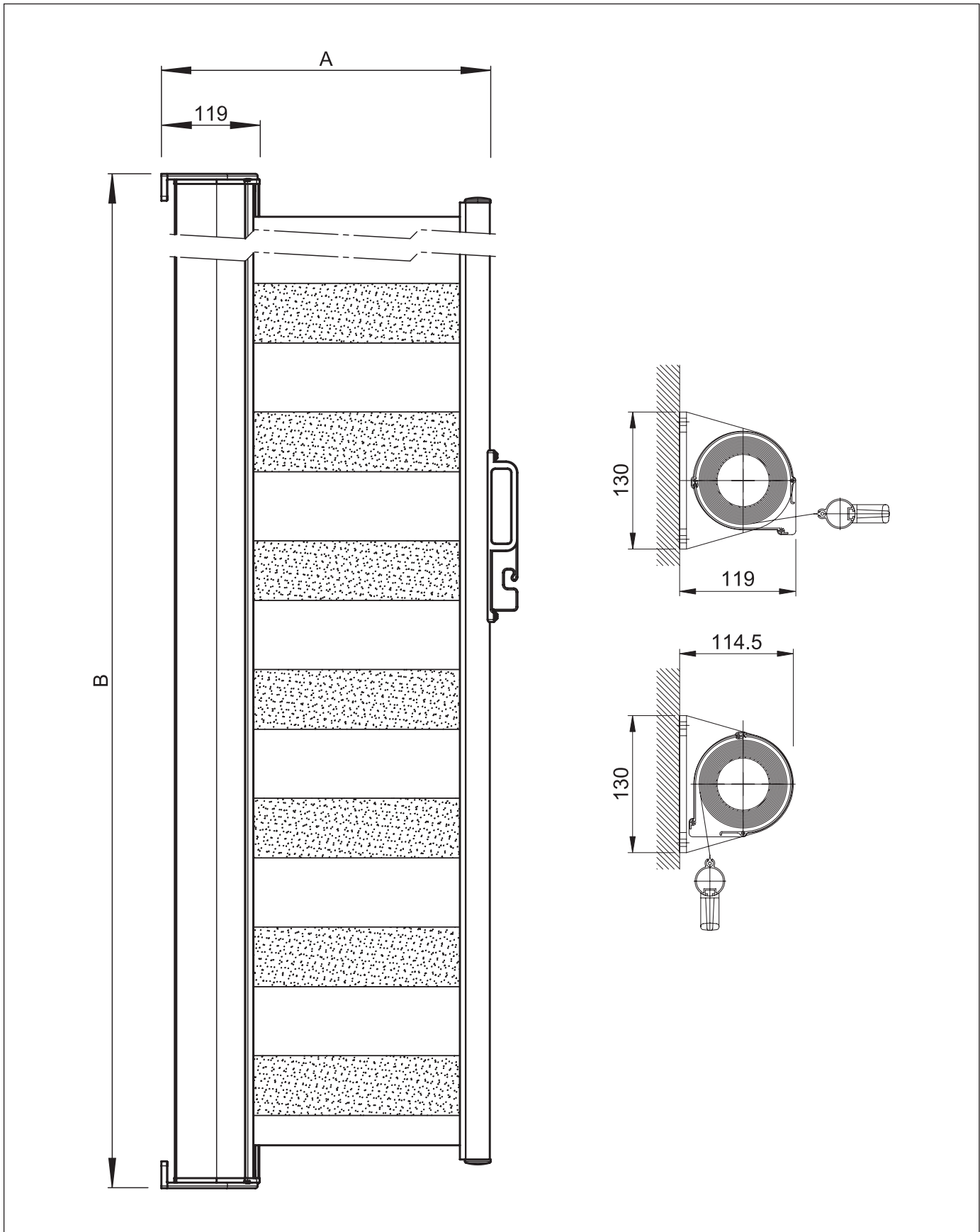


SIRO SR4000

Side shade

SR4000

Wall fix



A = Projection

B = Total width

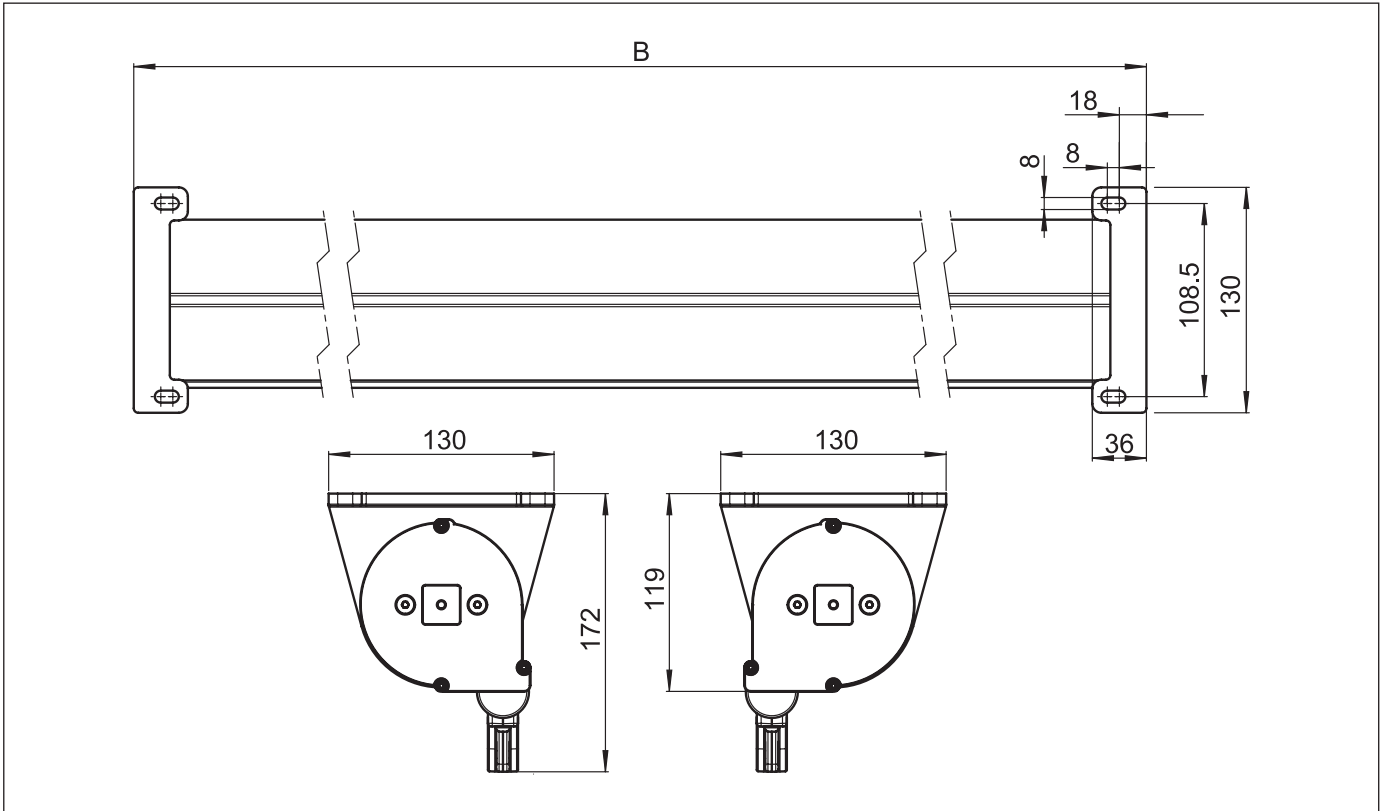


SIRO SR4000

Side shade

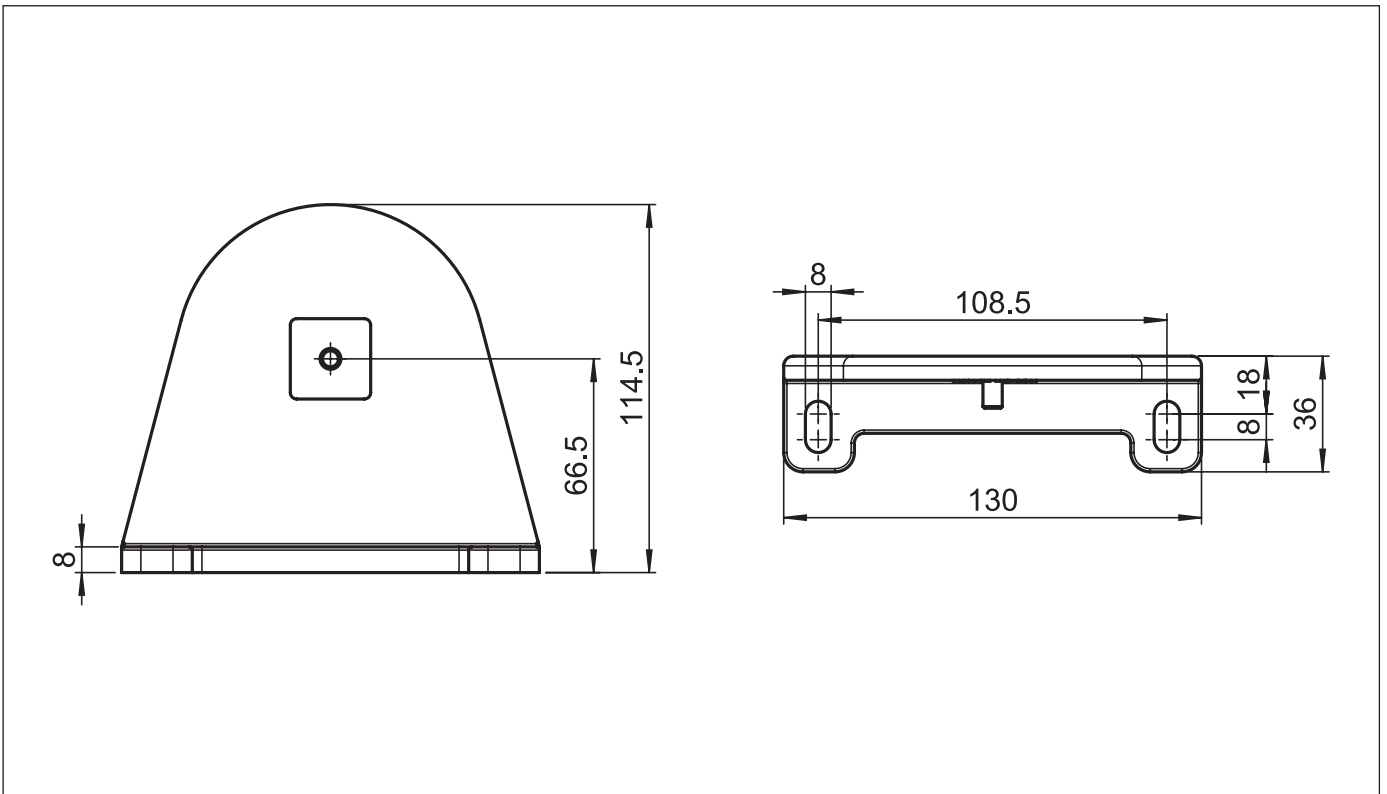
SR4000

Top fix



SR4000

Adjustment caps US105/2



B = Total width



SIRO SR5000

Side shade

SR5000



Description

Side shade with integrated auxiliary spring element for multiple applications. Box made of extruded aluminium profiles with side end caps, incl. installation flange in aluminium casting with adjustable position 90°. Projection tube made of extruded aluminium profiles with grooves for the cover and the handle. Handle in aluminium casting and continuously adjustable in height. Roller tube made of steel with profile groove for the cover incl. auxiliary spring element for the tension of the cover and for the retraction mechanism. The size of the box allows max. 400cm cover with 300g/m². To stop the projection, insert the handle on the fixation SR416 or on the fixation post (option).

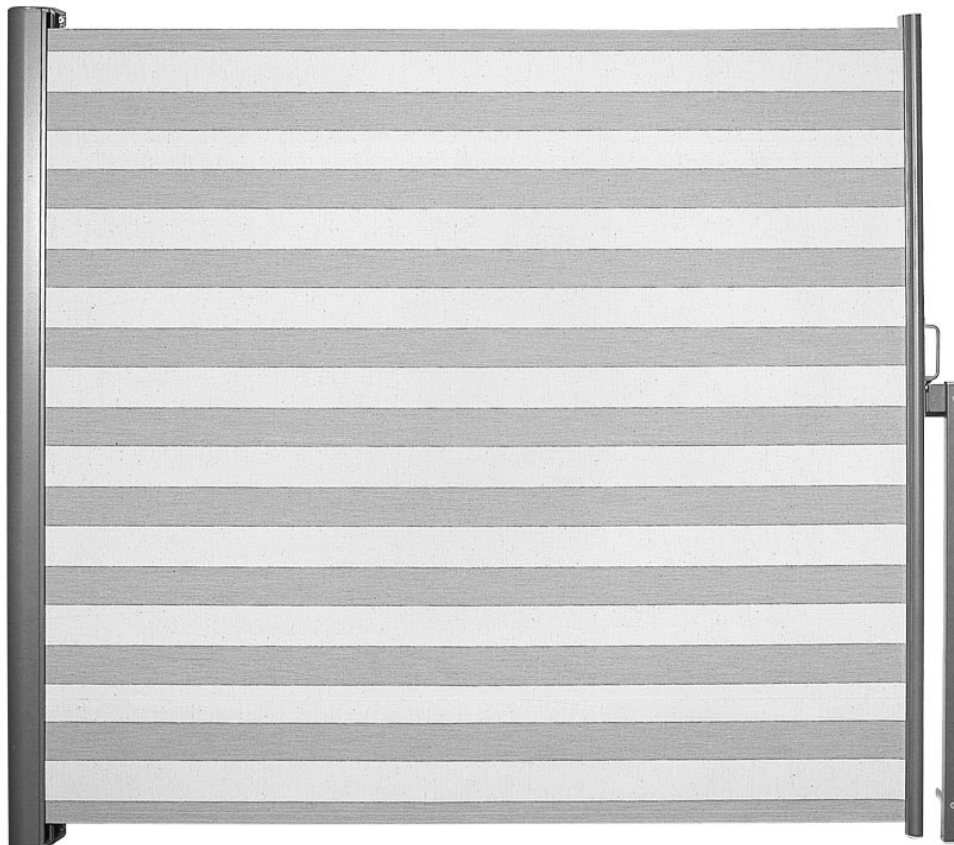
Option:

Screw on post with base plate to be fixed on solid ground.

Plug-in post with floor sleeve. The steel execution can be moved easily in additional floor sleeves.

METHOD OF DELIVERY

SIRO SR5000 fully assembled with cover, optional counterpart for braking is supplied but not fitted.



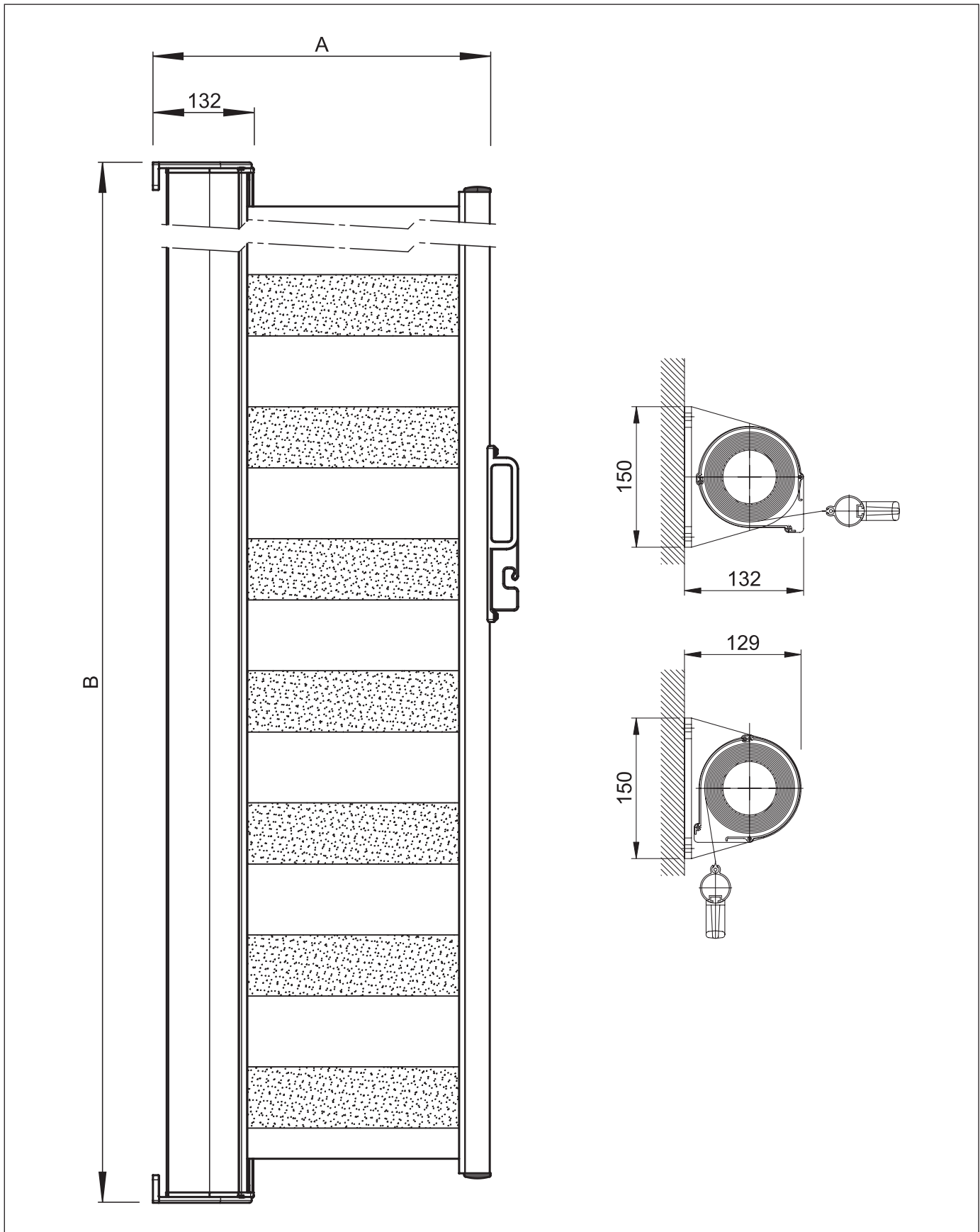


SIRO SR5000

Side shade

SR5000

Wall fix



A = Projection

B = Total width

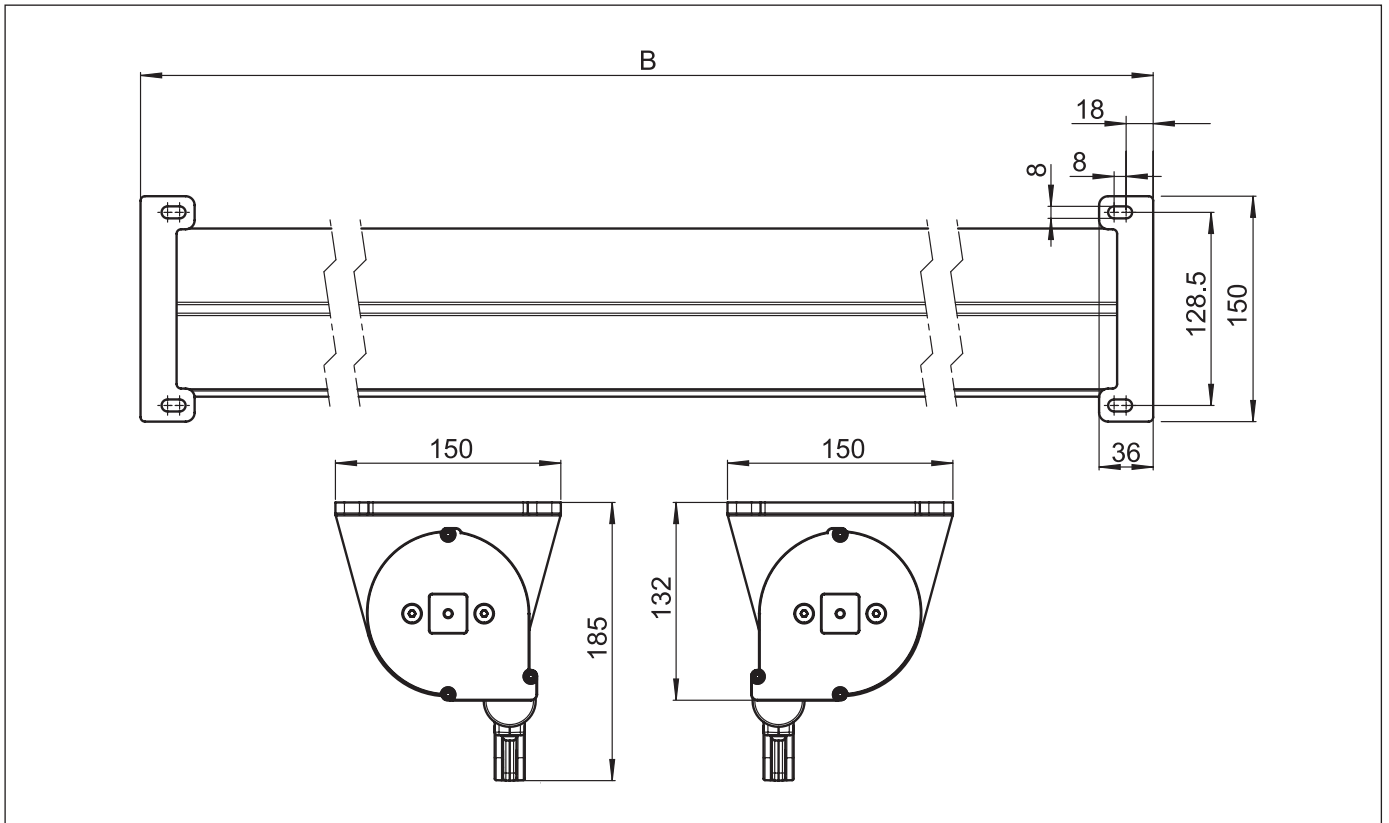


SIRO SR5000

Side shade

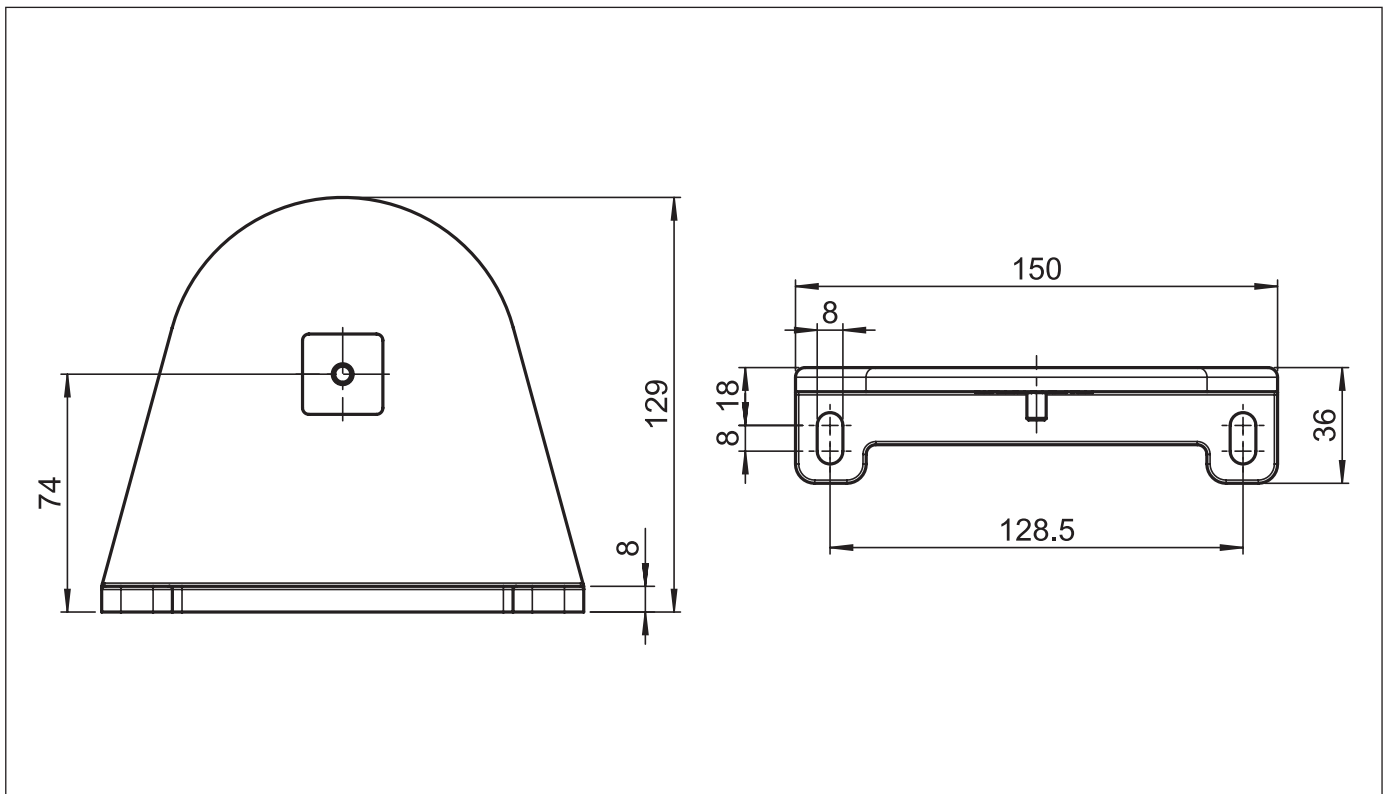
SR5000

Top fix



SR5000

Adjustment caps US205/2



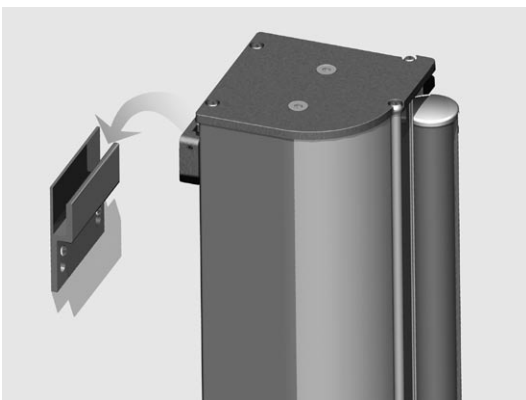
B = Total width



SIRO-FLEX SR6000

Side shade

SR6000



Description

Side shade with integrated auxiliary spring element. Awning with wall fixation for easy hinge on and off with the previously installed wall brackets. Box made of extruded aluminium profiles with side end caps, projection tube made of extruded aluminium profile with profile grooves for the cover and the handle. Handle in aluminium casting and continuously adjustable height. Roller tube made of steel with profile groove for the cover incl. auxiliary spring element for the tension of the cover and for the retraction mechanism. The size of the box allows max. 400cm cover with 300g/m². To stop the projection, insert the handle on the fixation SR416 or on the fixation post (option).

Option:

Screw on post with base plate to be fixed on solid ground.

Plug-in post with floor sleeve. The steel execution can be moved easily in additional floor sleeves.

METHOD OF DELIVERY

SIRO-FLEX SR6000 fully assembled with cover, optional counterpart for braking is supplied but not fitted.



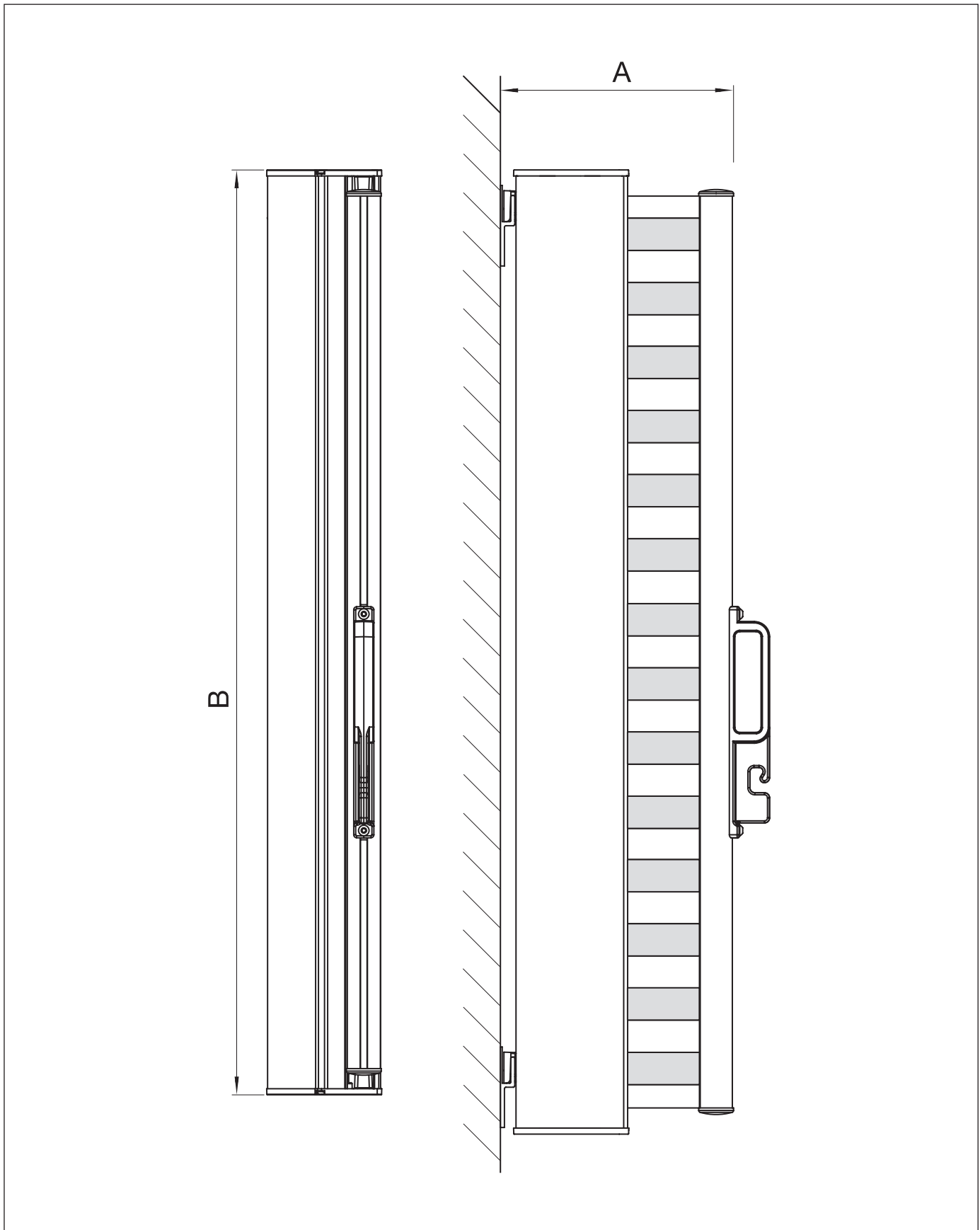


SIRO-FLEX SR6000

Side shade

SR6000

Wall fix



A = Projection

B = Total width

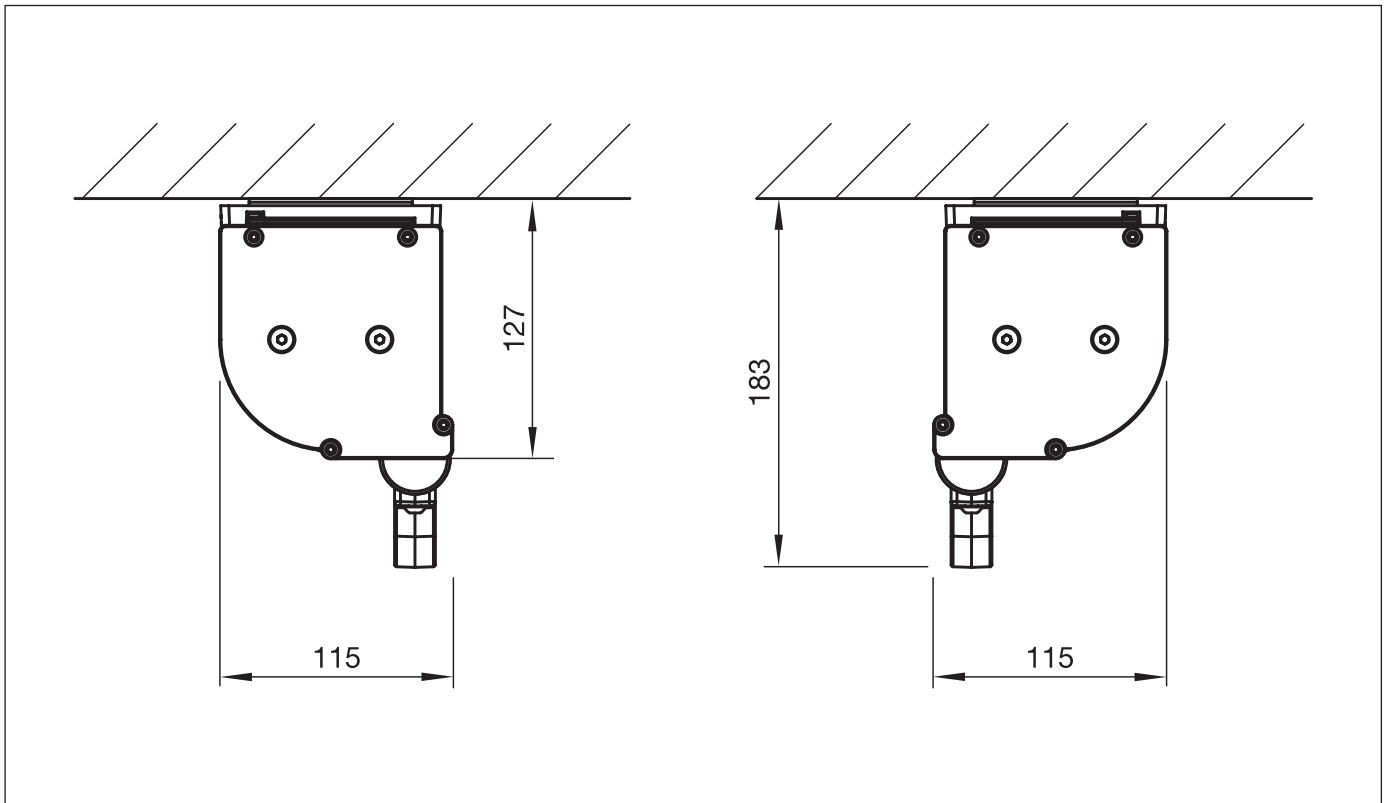


SIRO-FLEX SR6000

Side shade

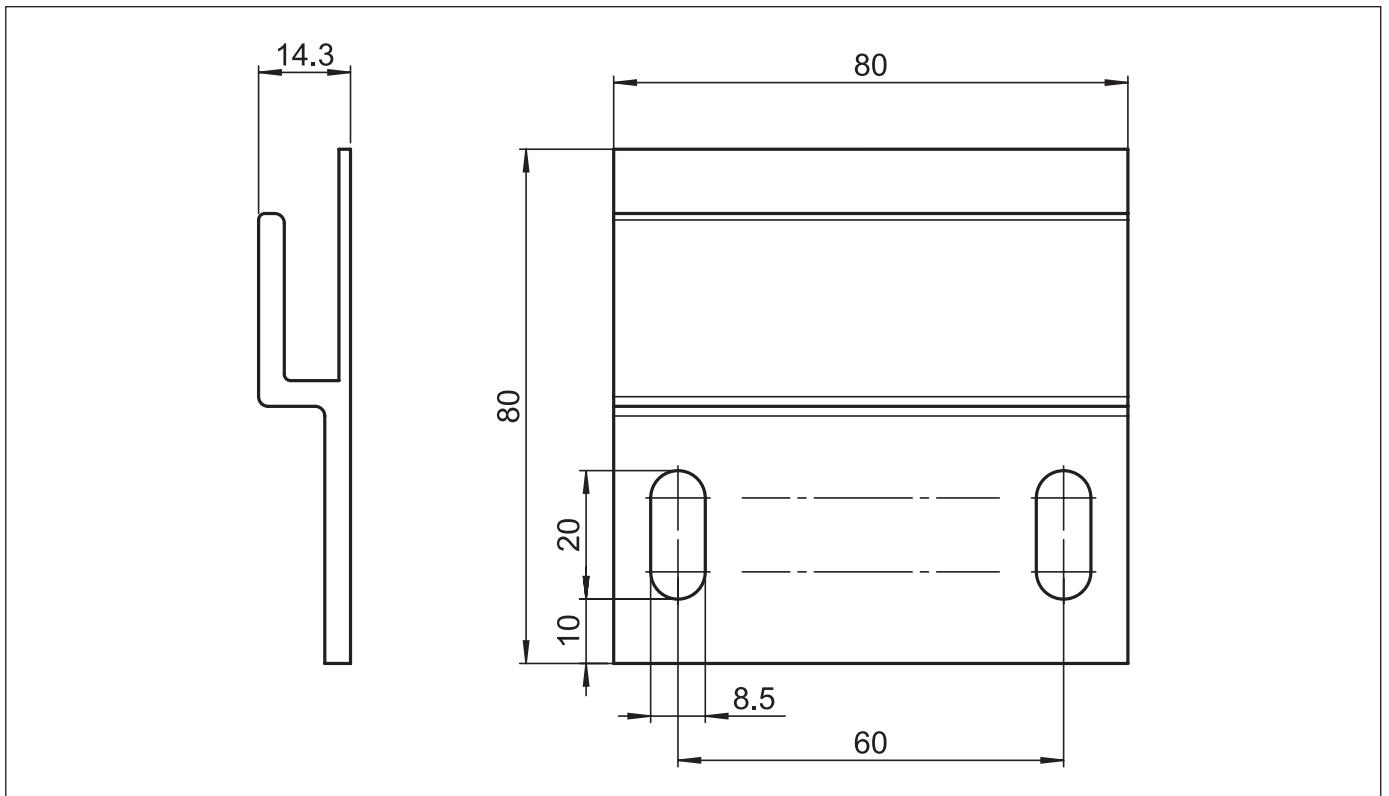
SR6000

Top fix



SR606

Wall bracket



B = Total width