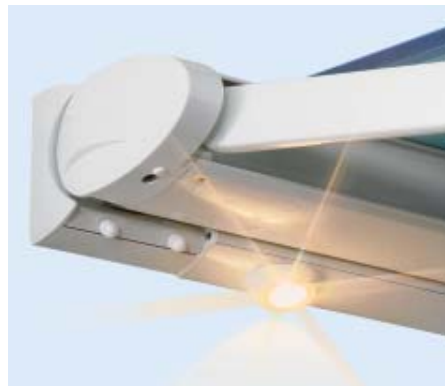


Small, clever, and it's got something up top ...

Optimum
awnings
Cassita/
Cassita Lux



We reserve the right to make technical alterations. December 2006





Cassita



Cassita Lux

The dainty cassette awning
With its contemporary design, the smallest of the weinor cassette awnings makes a charming impression. The intelligent two-point attachment supports the optical impression of lightness. With its maximum dimensions, it has been designed for small and medium-sized patios.

Technical details

Max. size of Cassita and Cassita Lux

- Maximum width: 550 cm
- Maximum projection 300 cm

Technical equipment

- Low installation height (cassette is only 12 cm high)
- Attractive cassette of extruded aluminium
- Gutter incorporated into the front rail
- Folding arm with chain attached direct to the top plate
- Drop forged arm sections
- Fabric supporting section
- Support section bracket for added stability
- Adjusting bracket simplifies fitting

Powder coating

- In 47 standard colours
- Surface permanently resistant to scratching and weather

Pattern

- Large selection of fabrics from the current weinor collections

Drive

- Motor as standard

Additional technical equipment on Cassita Lux

- Factory fitted Lux bar
- Electronic transformer set

Options

Fixing

- Extruded wall/roof brackets, powder coated in the same colour as the awning

Drive

- Crank operation (only available on Cassita)
- Remote controlled motor

Options

- Removable valance, Standard height: 15 cm

Accessories

- Sun and rain monitors
- Automatic rain sensor
- **Heating system Tempura**
- Cassita can be upgraded to Cassita Lux (only if motor fitted)

The technical product highlights of the Cassita



Cassita

The flat cassette

The cassette of the weinor **Cassita** is only 12 cm high. There is nevertheless space for all the mechanics.

The enforced closure

All-round protection for the fabric and mechanism thanks to the enforced closure of the front rail.



Side view with adjusting bracket

The adjusting bracket

One of those typical weinor detail is the adjusting bracket on the awning casing. It ensures secure attachment and is simple to fit.



Open-link chain in the arm joint

The folding arm with chain

The open-link chain in the arm joint is made of special high-grade round steel and constantly undergoes continuous testing. Even after many thousand movements, no appreciable wear and tear can be detected. For this reason, we offer a 10-year guarantee on the open-link chain in the centre joint of the awning arm.



Slim folding arm members

The arm members are very slim and have plenty of space in the awning's small casing.

The arm stop prevents the arms from hitting the section when it is retracted.



Top plate with folding arm

The folding arms are mounted directly on the top plate, which means that the **Cassita** only has to be attached with two fixing brackets.

i If the maximum dimensions exceed a width of 400 cm the fabric may sag considerably (about 11 cm). If the width exceeds 450 cm there may be some sag and the cassette might start to leak.

The technical product highlights of the Cassita



Pitch angle adjustment

The pitch angle adjustment

On the **Cassita** and **Cassita Lux** the pitch angle can very easily be adjusted infinitely through an opening in the top plate.



The gutter in the front rail

The gutter in the front rail

When closed, rainwater runs through the gutter in the front rail to the sides.



The fabric support section

The fabric support section

The fabric support section has two functions. It optimises the tension in the fabric, and, at the same time, it ensures that the fabric rolls up evenly.



The gap cover brush

The gap cover brush in the top section protects the inside of the cassette from residual water and dirt particles.

Water drain hole

A water drain hole is incorporated into the centre of the bottom of the cassette. Any water that gets in when the awning is open during a shower of rain can drain away.



The support section bracket

connects the support section to the bottom part of the cassette. This provides additional stability to the casing. During retraction the arms are led over the stop cam.

The sliding film

It protects the fabric from chafing inside the casing.

The technical product highlights of the Cassita Lux



Light bar for Cassita Lux



The Lux light bar

The **Cassita Lux*** has all the technical advantages of the **Cassita**, plus: a light bar designed to match the **Cassita** and a pre-fitted low voltage set of lamps with an integrated electronic set of transformers.

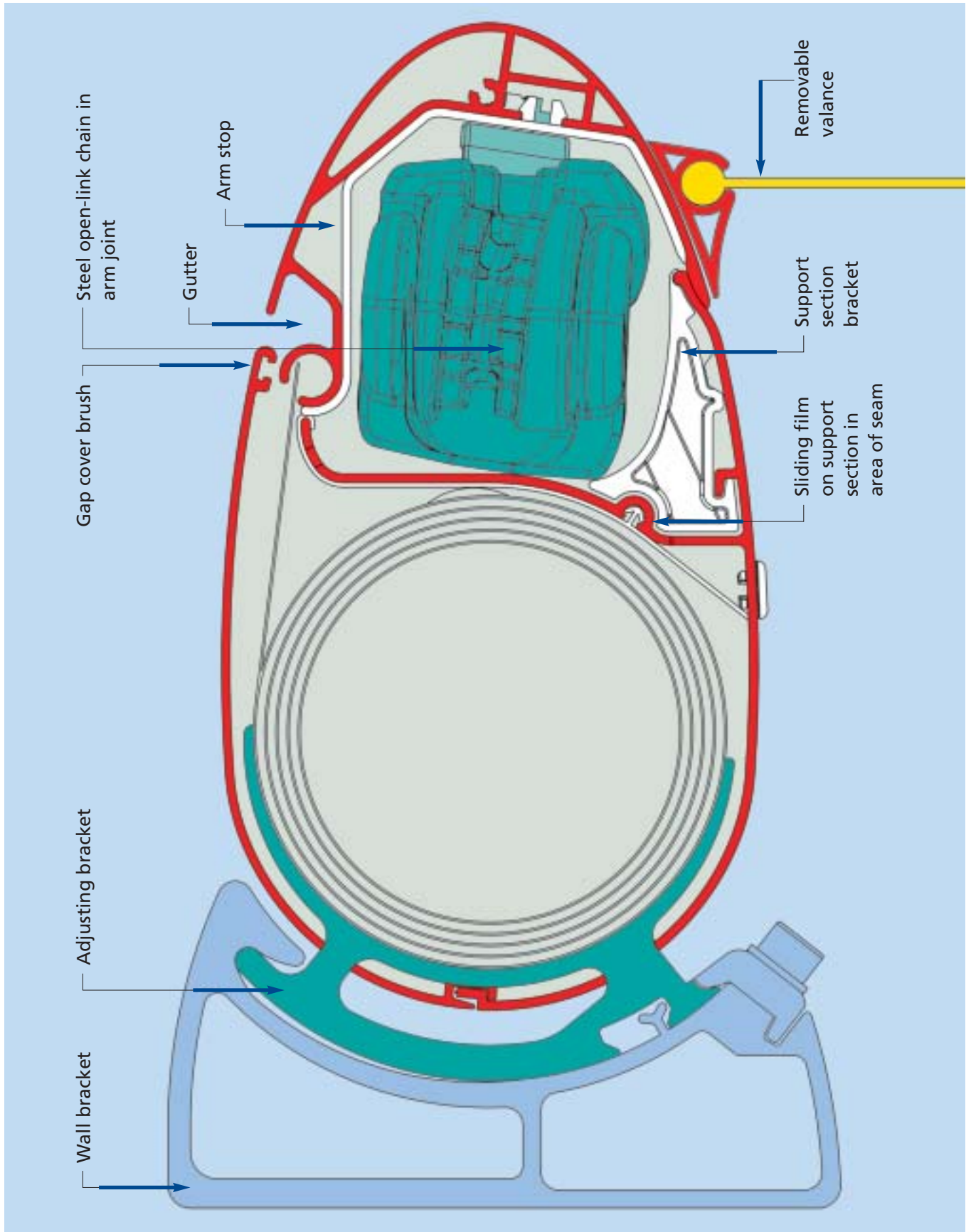
The lamps swivel and are in the same colour as the light bar casing and the awning cassette. The **Cassita Lux** lamps can be dimmed when used in conjunction with a **WeiTronic Combo remote control** and a **WeiTronic remote control unit**.



The **Cassita Lux** looks as if it was moulded with the light bar which is fitted to the wall between the two brackets.

It is even easier to operate with the **WeiTronic remote control**, with which the awning is opened and retracted, and with which the light can be switched on and off and dimmed separately.

Cross section of the Cassita



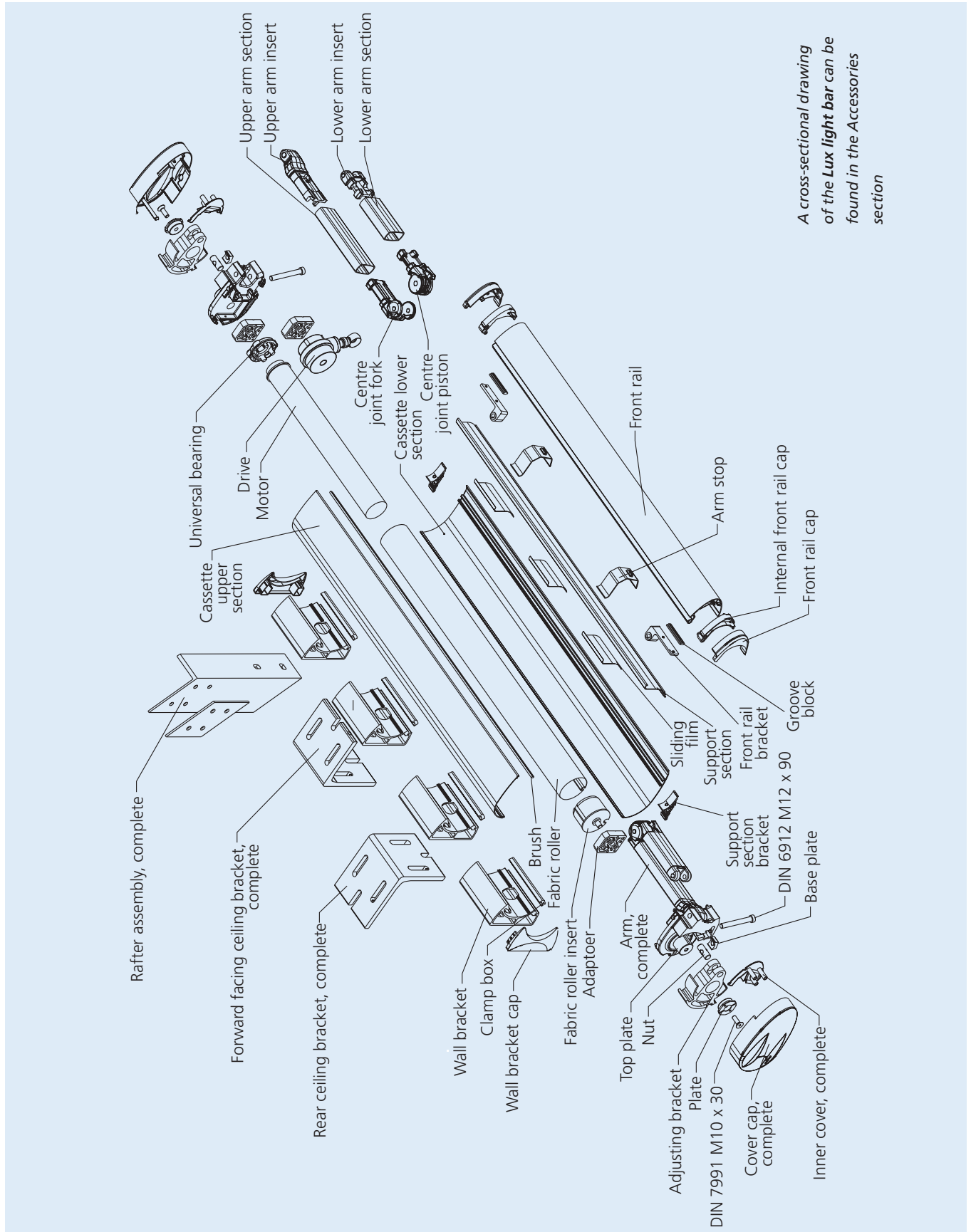
Product benefits at a glance

Designation	Material	Surface treatment	Qualities	Your advantages
Upper arm insert Centre joint Lower arm insert with front rail holder	Aluminium, drop-forged	Chrome-free pre-treated, powder coated	Highly resistant to breakage, surface permanently resistant to scratching and weather	The weinor tilting arm member is a masterpiece of modern awning technology. The advantages: special arm geometry and thus the fabric does not rest on it. Stability and durability thanks to the high-grade materials.
Rotating parts in the arm	Stainless steel bolts in bronze sleeves on bearings		Maintenance-free, rust-free, reliable	High-grade building components mean permanent free movement when opening and retracting
Arm section Front rail Top section Sliding support Bottom section	Aluminium, extruded	Chrome-free pre-treated, powder coated or technically anodised	Surface permanently resistant to scratching and weather	You choose the powder coating colour for your awning sections to suit your personal taste. Pre-treating the sections prevents corrosion altogether, even on damaged surfaces.
Open-link chain in the arm	Round steel, special high grade		Extremely high resistance to wear and tear	Virtually non-wearing in continuous testing – therefore 10-year guarantee on the open-link chain in the centre arm joint.
Casing and front rail end caps, caps for wall bracket	Plastic	Two layer process in 6 standard RAL colours	Surface permanently scratch and weather resistant	Combine the awning frame (in 47 standard RAL colours) with one of the 6 standard colours for the caps.
Screws	Stainless steel		Non-corrosive	No rust, no appreciable wear and tear
Awnings material	Acrylic	Spin-jet dyed, impregnated	Light and weather-proof	The weinor fabric collection offers a wide variety of sophisticated designs for the Cassita/Cassita Lux .
Drive motor			Precisely manufactured, robust design	The awning is opened and retracted by an electric tubular motor, which is integrated into the fabric roller and operated by a wall switch.

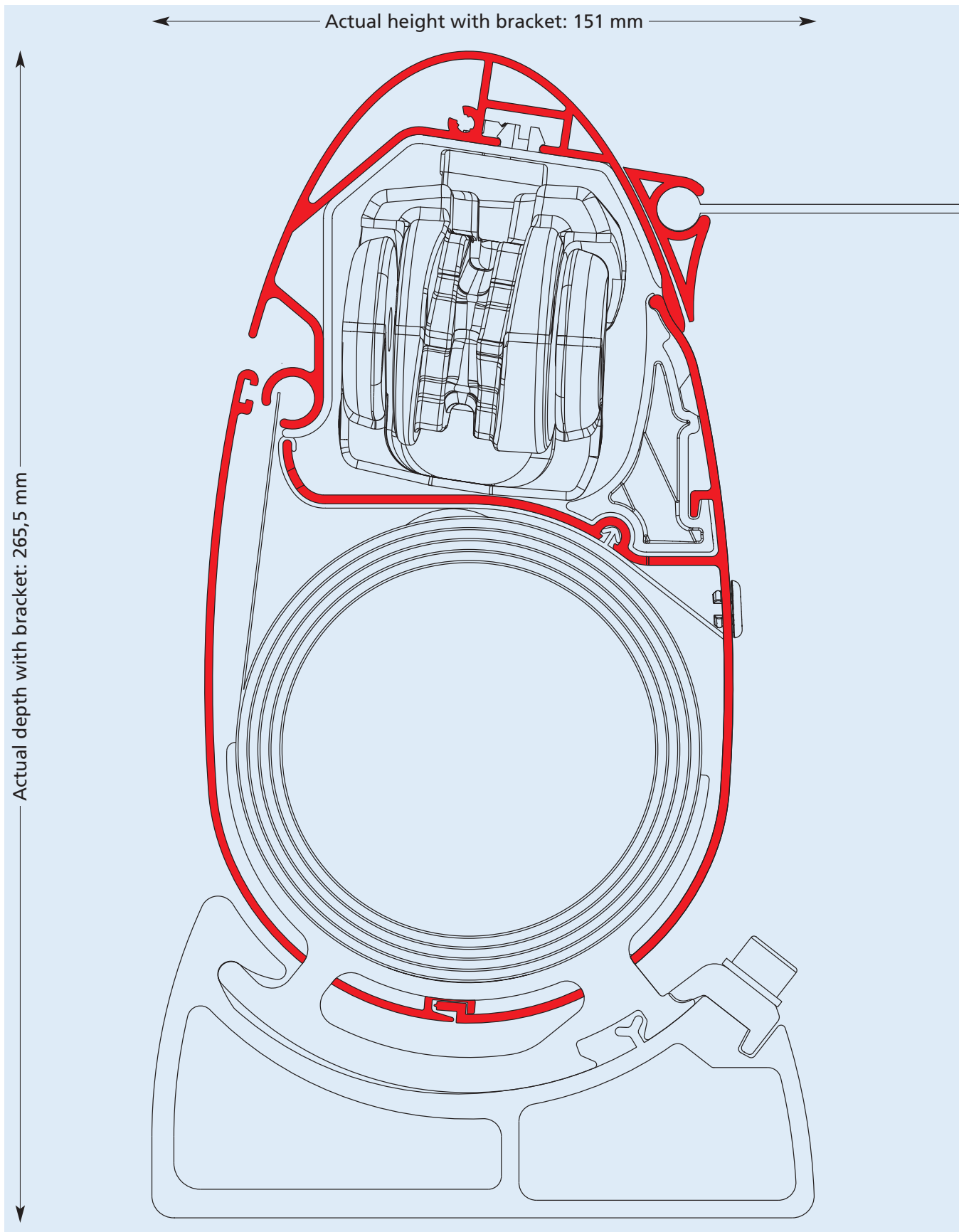
Product options at a glance

Designation	Material	Surface treatment	Qualities	Your advantages
Awning fabric from external suppliers		Spin-jet dyed, impregnated	Watertight	Even greater selection of unicolour and striped fabrics.
Removable valance	Acrylic	Spin-jet dyed, impregnated	Light and weather proof	The piped border makes fitting and removing the valance simple.
Drive crank mechanism with limit stop	Gearing 4,4:1	Gear casing powder coated in black (similar to RAL 9005), white (similar to RAL 9016) or grey (similar to weinor 7319)	Gears with limit stop, easy to operate	Completely free from operating error. The limit stop prevents the fabric from rolling up incorrectly.
Remote-controlled drive				Upon request, an integrated tubular motor with WeiTronic receiver can be fitted. The WeiTronic Remoto handheld remote control makes for easy operation of the awning. See the Accessories section for more details.
Cassita Lux (Cassita with light bar)	Aluminium, extruded	Chrome-free pre-treated, powder coated	Highly resistant to breakage, surface permanently resistant to scratching and weather, dimmable	The light bar is pre-mounted on the Cassita Lux . The lamps on the light bar can be swivelled on the Cassita Lux , and in conjunction with the WeiTronic remote control they can be dimmed.
Heating system Tempura	Corrosion-free materials	Chrome-free pre-treated, powder coated	Splash-proof, for use indoors and outdoors	The Tempura heating system can be mounted directly on the wall of the house. Operation is by a wall switch or remote control. See the Accessories section for more details.
Wall and ceiling brackets, top bracket	Aluminium, extruded, sections cut and machined	Machine-edged, chrome-free pre-treated, powder coated	Surface permanently scratch and weather resistant	Sophisticated quality, precise and weather resistant down to the very last detail. Easier service due to use of same components.

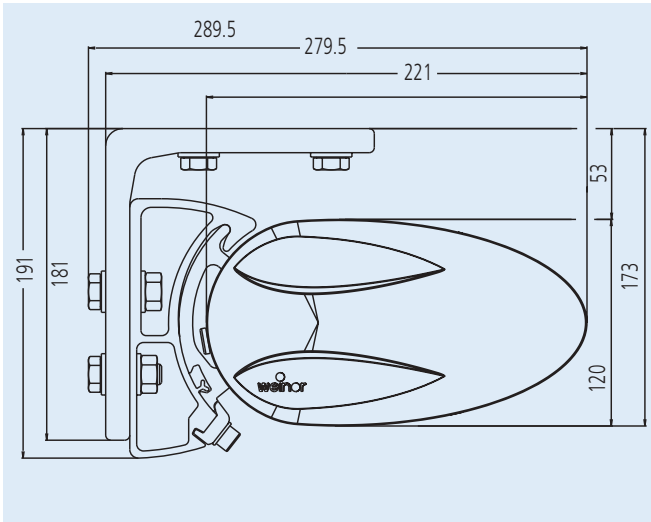
Exploded drawing of the Cassita



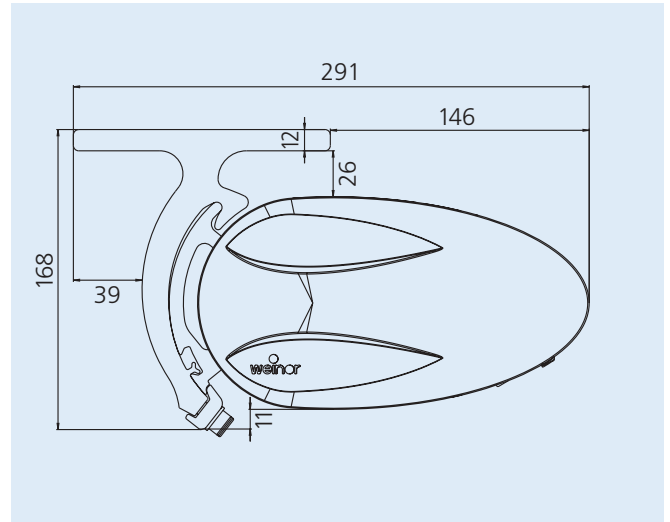
Cross sectional drawing of the Cassita – not to scale



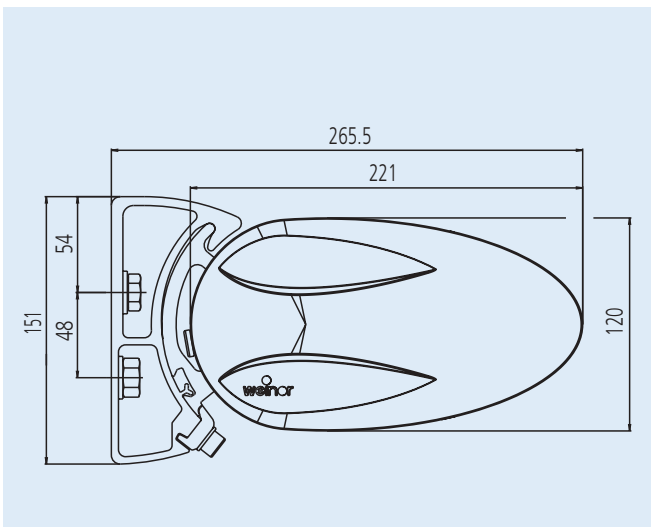
Possibilities for installation, with dimensions, Examples



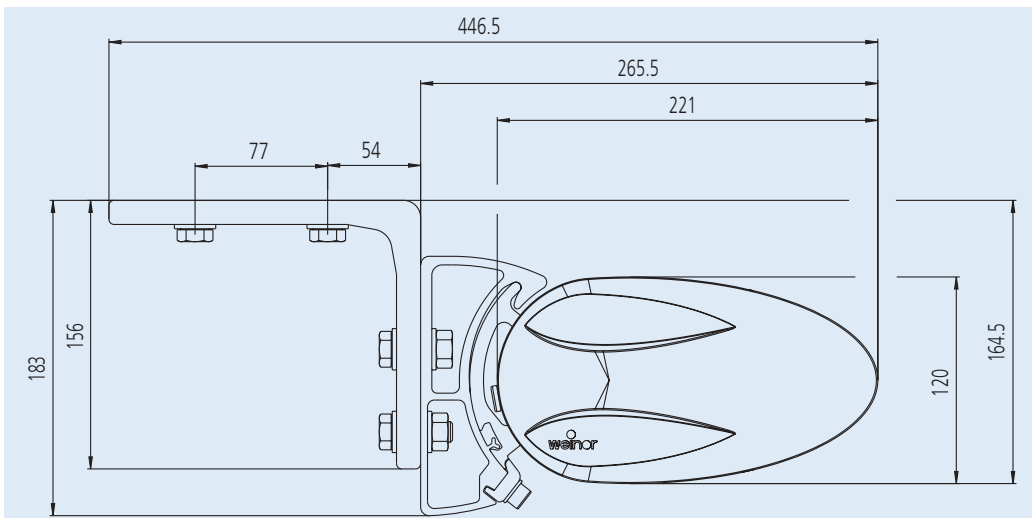
Roof mounted **Cassita/Lux** with roof bracket towards front and wall bracket



Roof mounted with specially designed roof bracket, not possible with **Cassita Lux**



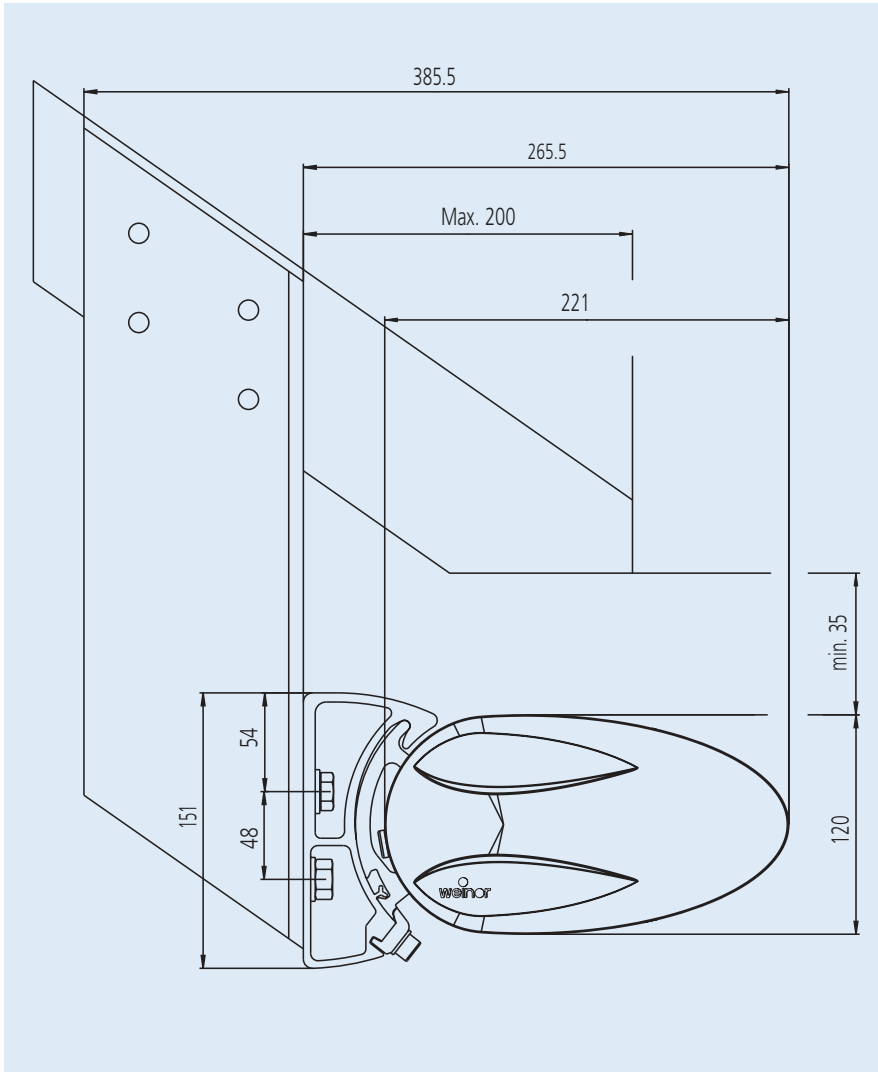
Wall mounted **Cassita/Lux** with wall bracket



Roof mounted **Cassita/Lux** with roof bracket towards back and wall bracket

We reserve the right to make technical alterations. December 2006

Possibilities for installation, with dimensions, Examples



Rafter mounting with rafter bracket and wall bracket
150 mm wide