

Elegant sight screen to give you privacy



We reserve the right to make technical alterations. December 2006

Sunshades/
Side screens
Paravento





The **Paravento** side screen can be used as a sight screen



Paravento to divide rooms

The elegant and flexible side screen

The weinor **Paravento** provides optimum side protection both from cold winds and from nosy neighbours. It is very easy to open and retract with just one hand. When retracted, the fabric disappears into the elegant cassette which is very simple to take off in winter.

Technical details

Maximum size of the Paravento

- With seamless fabric:
 - max. casing height 187.5 cm
 - max. length of fabric 400 cm
- With sewn fabric:
 - max. casing height 250 cm
 - max. length of fabric 400 cm
- Max. total area 8 m²

Technical equipment

- Casing similar to **Aruba** casing
- Casing closes seamlessly when retracted
- Spring loaded shaft built into the fabric roller pulls the fabric in opposite direction to keep it taut
- Resistant to high winds, wind resistance class 2

- Wide selection of fabrics
- Fabric can be printed on and used for advertising
- Aluminium housing and cast parts
- Galvanised fabric roller
- Easy to open and retract with just one hand

Powder coating

- In 47 standard colours
- Surface permanently resistant to scratching and weather

Pattern

- Acrylic from the current weinor collection, or Soltis 86, depending on dimensions

Options

- Powder coating in trendy conservatory colours or special RAL colours
- Intermediate sizes possible on request

Methods of attachment

- Slot in post
- Ground sleeve
- Corner posts for slotting in or with screw thread for tensioning on corners
- Screw in post



The technical product highlights and methods of attaching the Paravento side screen



The **Paravento** casing

The casing

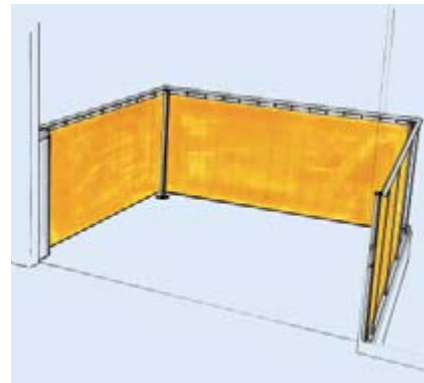
It looks like the **Aruba Round**, and thanks to its faceplate, when retracted it encloses all the moving parts. This ensures that the fabric is protected from the weather at all times.



Fabric kept taut with spring loaded shaft

Optimum fabric tension

A spring loaded shaft is built in to the fabric roller to ensure optimum tension in the fabric. This system of pulling in the opposite direction makes the **Paravento** child's play to operate, both when opening it and when rolling up the fabric.



Corner post

The corner post

The post enables the **Paravento** to be set up so that it goes around a corner. This way you can protect yourself from unwelcome breezes or eyes from more than one direction at the same time.



Paravento casing and screw in post

Attachment

Only two casing brackets are needed to attach the **Paravento** directly onto the wall of the house, to a patio roof beam, or similar. It can be removed with suitable tools. By using wall brackets and an additional casing bracket the **Paravento** can be slotted in place easily. This means that, for example, it can be completely removed and stored away in winter.

Pull handle and grip bracket

On the opposite side the **Paravento** needs a grip bracket to latch into the pull handle on the outer rail when opened. The grip bracket on the opposite side can also be attached to a wall, or it can be attached to a post set into the floor of the patio or set into concrete.

The Paravento fabric selection with seamless fabrics

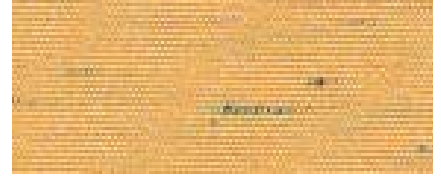


Casing height 127.5 cm

All uni-coloured fabrics from the current weinor collection can be used for this version. The nap is then vertical. Horizontal stripes, e.g. to match the awning, are possible (cloth width 120 cm).



Pattern No.: seamless 180002, with seam 4-658



Pattern No.: seamless 180003, with seam 4-872



Pattern No.: seamless 180001, with seam 4-870

Casing height 187.5 cm

For this version there is a choice from the three acrylic patterns shown above, with a cloth width of 180 cm. The nap is then vertical.

Casing height 187.5 cm with Soltis 86

This specially coated uni-coloured fabric is wind- and light-permeable and is also available for a casing height of 187.5 cm. The cloth width is 177 cm.

The choice of Paravento fabrics with seams



Multiple stripes from the weinor fabric collection

Casing heights

127.5 cm

127.6 to 187.5 cm

187.6 to 250.0 cm

Any fabric from the current weinor collection may be used for these versions.

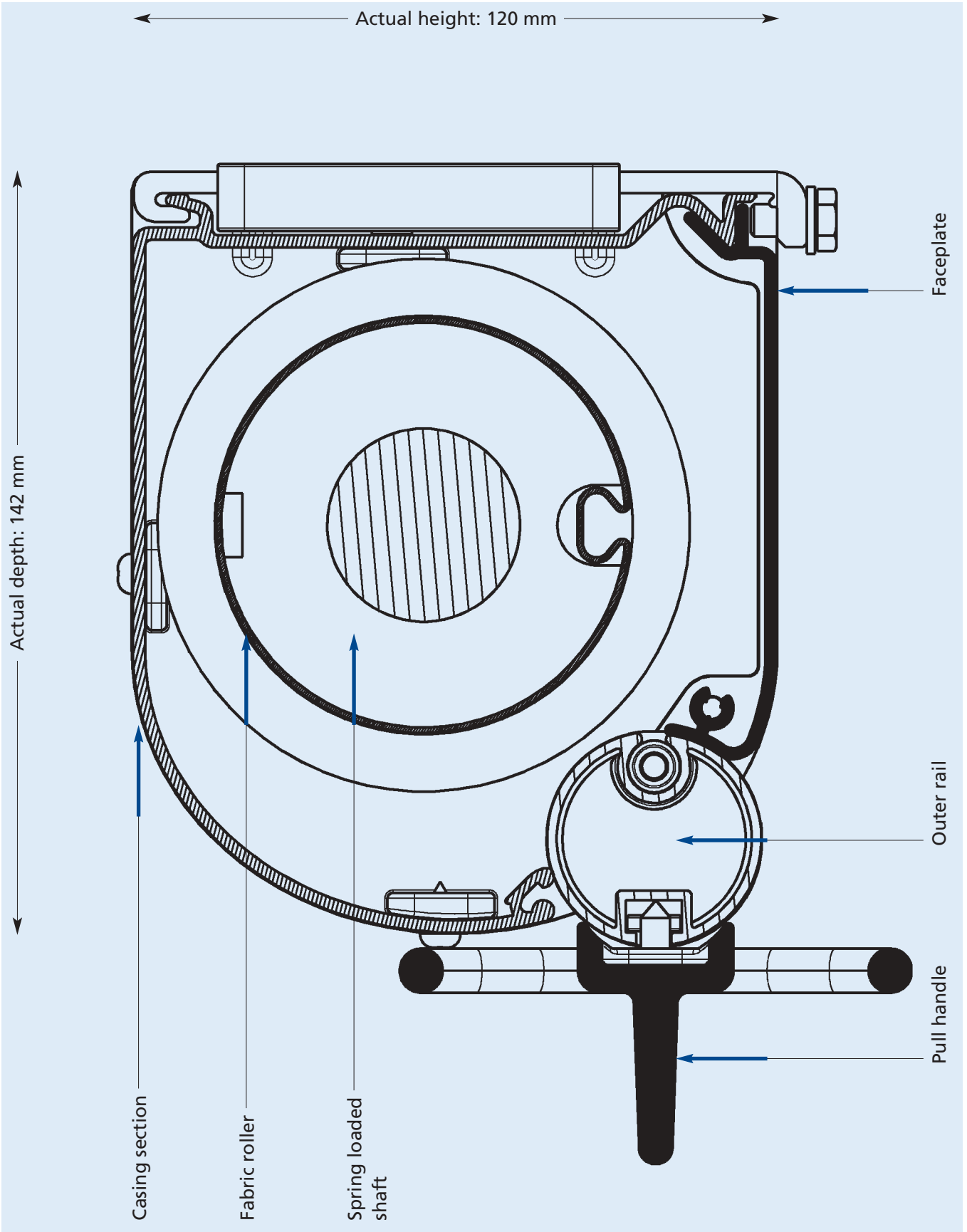
Up to a maximum of 8 m² per unit.

i Please note that with all side screen units the edges of the fabric may sag a little due to the vertical positioning.

i Please note the detailed chapter "Awning cloths".

Paravento side screen

Cross-sectional drawing, Paravento – not to scale



We reserve the right to make technical alterations. December 2006

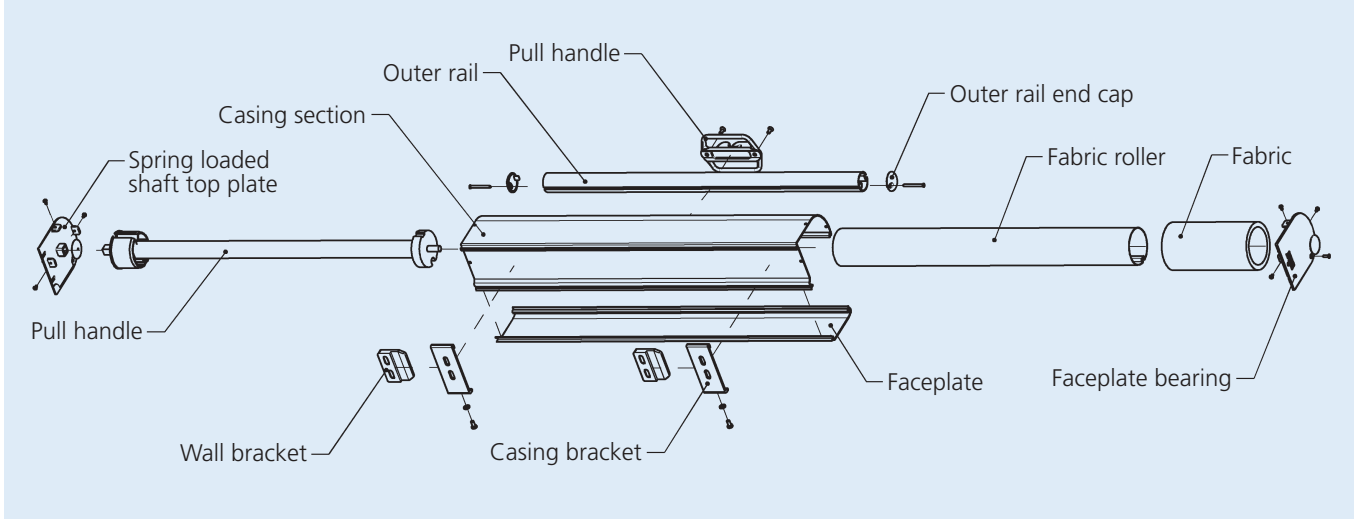
Product benefits at a glance

Designation	Material	Surface treatment	Qualities	Your advantages
Casing, Outer rail, Faceplate, Casing bracket	Aluminium, extruded	Chrome-free pre-treated, powder coated	Highly resistant to breakage. Surface permanently resistant to scratching and weather	You choose the powder coating colour for your Paravento to suit your personal taste. Pre-treating the sections prevents corrosion altogether, even on damaged surfaces.
Fabric roller bearing	Steel	Sendzimir zinc coated, chrome-free pre-treated	Surface permanently resistant to weather	Quality, stability and resistance to weather that you can rely on permanently.
Top plates, outer rail end caps	Cast aluminium	Machine-edged, chrome-free pre-treated, powder coated	Surface permanently scratch and weather resistant	Pre-treating the sections prevents corrosion altogether, even on damaged surfaces.
Screws	Stainless steel		Non-corrosive	No rust, no appreciable wear and tear
Fabric	Acrylic	Spin-jet dyed, impregnated	Light- and weatherproof	The weinor fabric collection offers a wide variety of designs
	Soltis 86	Specially coated polyester fibre	Microvented, light permeable	Light and wind permeable

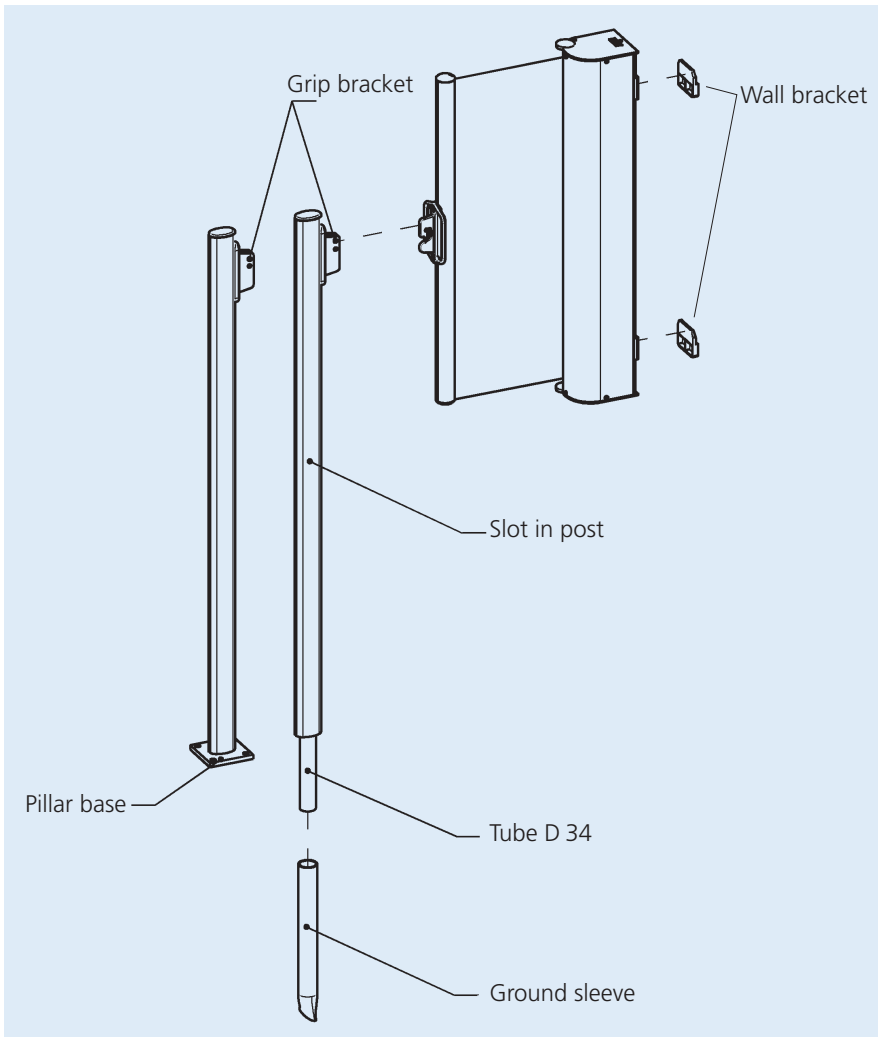
Overview of product and attachment options

Designation	Material	Surface treatment	Qualities	Your advantages
End post, Corner post Pillar base	Aluminium, extruded	Chrome-free pre-treated, powder coated	Highly resistant to breakage, surface permanently resist- ant to scratching and weather	Powder coating in the same colour as the casing. Pre-treating the profile prevents corrosion altogether, even on damaged surfaces.
Grip bracket Wall bracket Casing bracket	Chill cast	Chrome-free pre-treated	Highly resistant to breakage	Non-corroding
Corner post tube ground sleeve	Aluminium, extruded		Highly resistant to breakage	Non-corroding

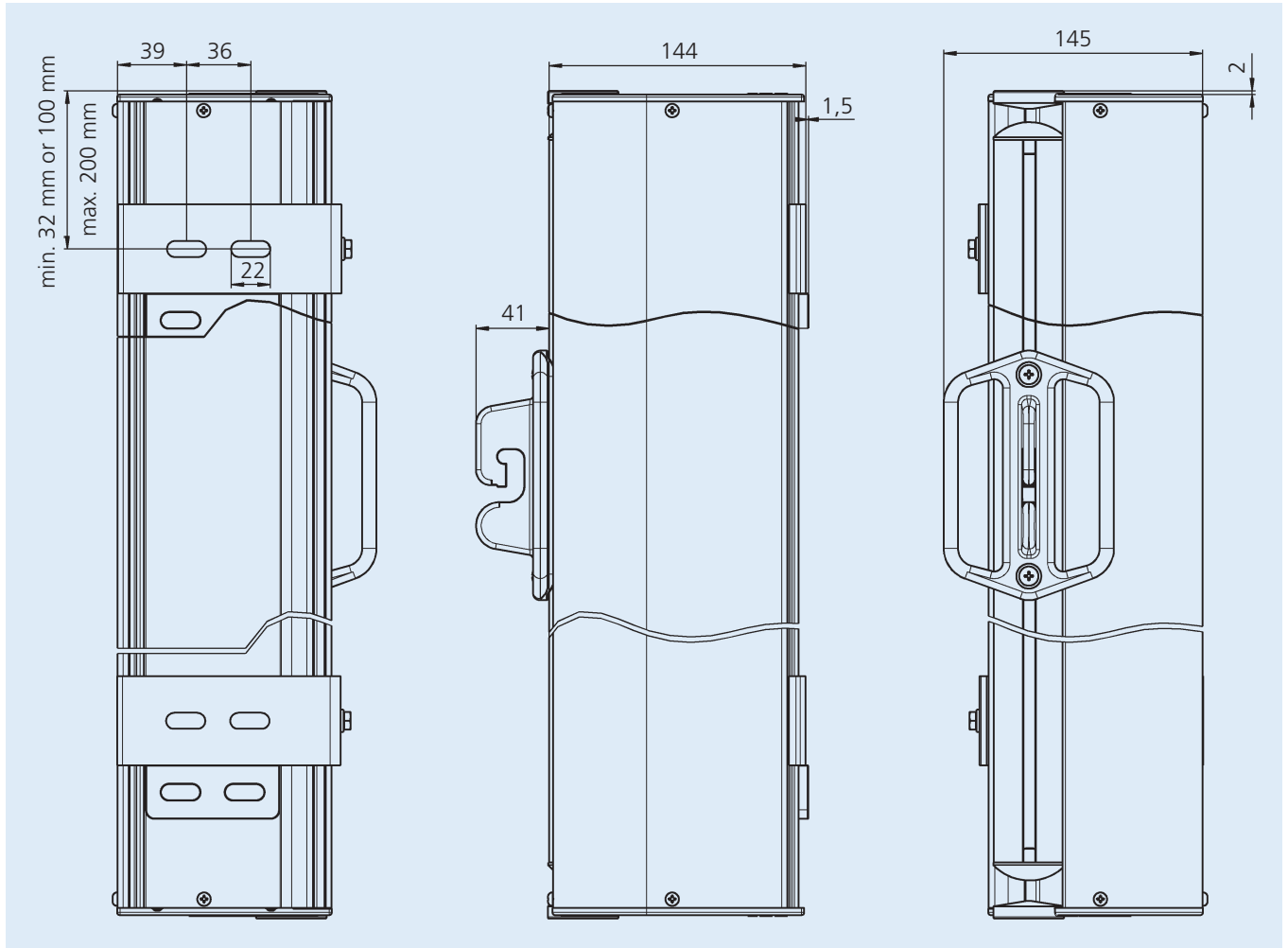
Exploded drawing



Optional methods of attachment

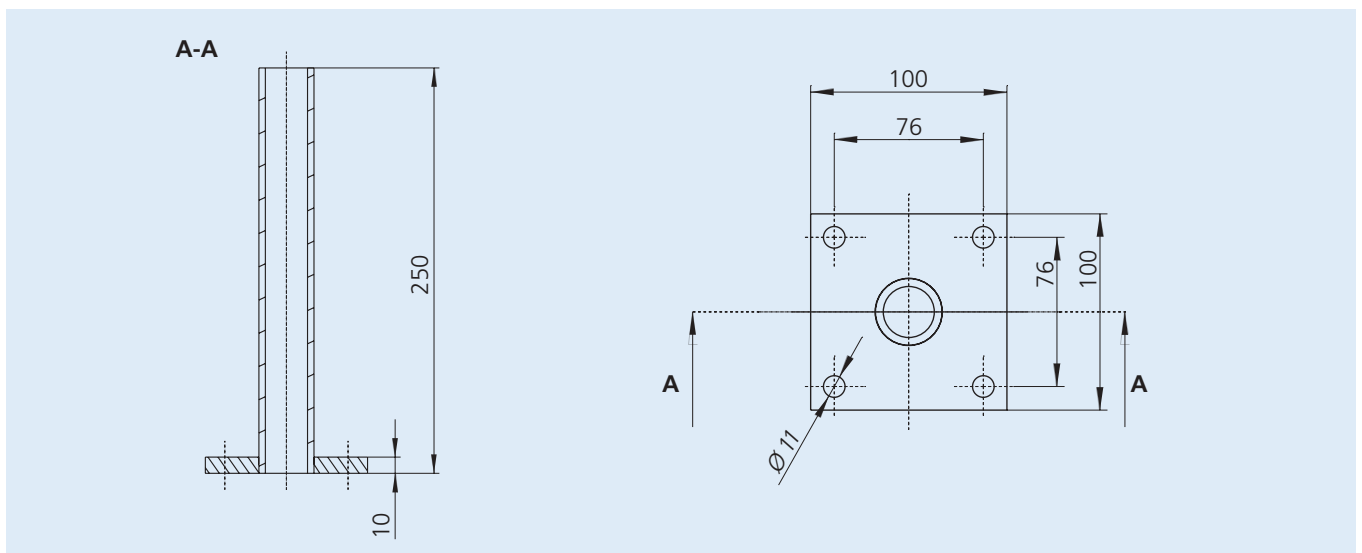


Casing dimensions



We reserve the right to make technical alterations. December 2006

Pedestal measurements

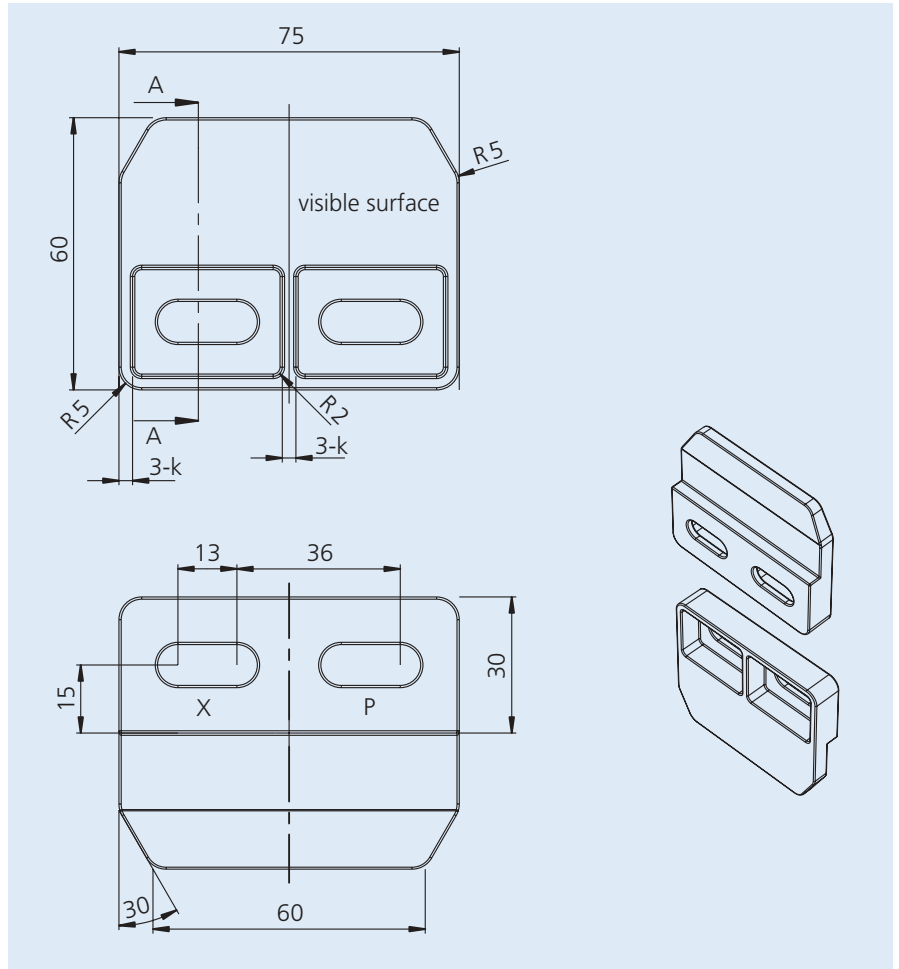


Methods of mounting

The **Paravento** side screen can be mounted either way round (to the left or the right).

Mounting with wall bracket

Here the wall bracket is attached to the wall and the casing bracket to the casing. The casing is attached to the wall bracket. This means the casing can be removed at any time.



Mounting with casing bracket

The casing is rotated into the casing bracket and fixed with fixing screws. This way the casing is permanently attached.

