



We reserve the right to make technical alterations. April 2009

Great quality on a budget

The Topas open awning is a work of art, which everyone can afford – it scores highly with many functions at a truly fantastic price

www.weinor.com

weinor
THE AWNING
*... more than
sun protection*



Topas without hood



Topas with hood

Small, compact, variable is the best way to describe this entry model made by weinor. The **Topas** awnings are available without a hood, making them especially suited for installation under balconies or protruding roofs, or with a ready-mounted aluminium hood for wall mounting in less well-shaded areas.

Technical details

Max. size of Topas with and without hood

- Maximum width:
1-section awning, 2 arms: 650 cm
1-section awning, 3 arms: 700 cm
2-section awning, 4 arms: 1200 cm
- Maximum projection angle:
400 cm
for widths 601 cm and above,
2-section awning with 4 arms

Technical equipment

- Low installation height/depth for **Topas** with and without hood
- Extruded top section
- Beautifully shaped front rail with matching end caps
- Cast aluminium top plates
- Gutter incorporated with controlled drainage into the front rail
- Tilting arm with chain

- Drop forged arm parts
- High arm tension and fabric fixing to ensure the fabric is taut
- Coupled units with jockey cover or sliding support

Powder coating

- In 47 standard colours
- Surface permanently resistant to scratching and weather

Pattern

- Large selection of fabrics from the current weinor collections

Drive

- Motor as standard

Options

Brackets

- Extruded wall/roof brackets, powder coated in the same colour as the awning

Valance Plus only for Topas without hood

- Up to 500 cm width, max. projection angle 350 cm
- From 501 cm to 600 cm width max. projection angle 300 cm

Drive

- Crank mechanism
- Remote controlled motor

Accessories

- Sun and rain monitors
- Automatic rain sensor
- **Light Bar Lux**
- **Heating system Tempura**

The technical product highlights of the Topas



Side view of **Topas** with hood

The aluminium hood

The pre-assembled aluminium canopy protects both the fabric and the mechanical parts from the weather. The end caps on the canopy have an exceptionally modern design. Especially suited for wall mounting in unsheltered areas.



Open-link chain in the arm joint

The folding arm with chain

The open-link chain in the arm joint is made of special high-grade round steel and constantly undergoes continuous testing. Even after many thousand movements, no appreciable wear and tear can be detected. For this reason, we offer a 10-year guarantee on the open-link chain in the centre joint of the awning arm.



Front rail holder

The front rail holder with movable bearing

The drop-forged front rail holder with movable bearing adds more leeway in the case of one-sided loads or the angle adjustment mechanism.



Side view of **Topas** without hood

The Topas awning without aluminium canopy is especially suited to assembly under protruding roofs or balconies, in other words in largely sheltered areas.



Thrust support

The thrust support

The rigid upper arm connection and the thrust support are both made of extruded aluminium; the stainless steel bolts are housed in Teflon sleeves on bearings.

The angle adjustment mechanism

Infinite angle adjustments of between 5° and 45° are possible using the set screws.

10° to 20° deviation on Valance Plus motor from standard angles.

Description	Patent no
Awning	00000874104
Tipping hinge for awnings	00000620334
Awning	000001310609
Florentine with infrared radiator and/or loudspeaker	000001403442

The technical product highlights of the Topas

Two coupling variations

There are two ways to couple/join broad awnings (6.01 m and above):

1. The jockey cover

The jockey cover separates the fabrics. The joint is hidden by an undercover fabric and tensioned by means of a spring-loaded shaft.

The jockey cover is to be particularly recommended for commercially used awnings and where the shape of the building requires separate, and consequently smaller, areas of fabric.



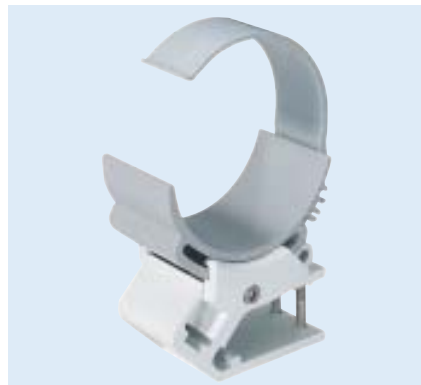
Coupling with jockey cover

2. The sliding support

This helps to join the awnings with continuous fabric. The pattern is not interrupted.



Coupling with sliding support



Sliding support

The valance

The valance can be removed in next to no time and stored safely away in the winter.

Valance height: 20 cm



Removable valance

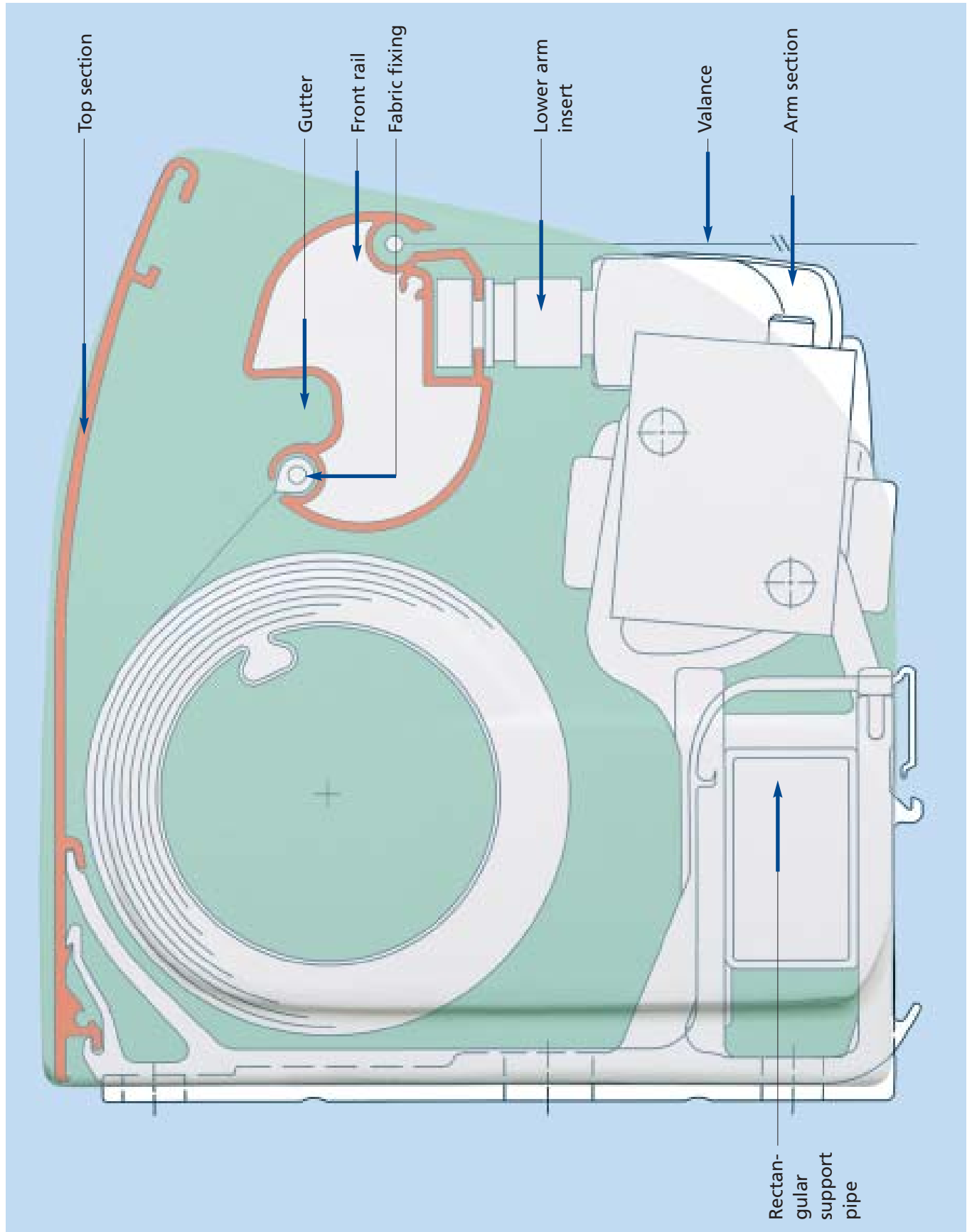
The gutter

The gutter in the front rail enables the rain to run off to the side. The water is led off the awning via the rain outlet in the side caps.



Gutter in the front rail

Cross-section of the Topas



Product benefits at a glance

Designation	Material	Surface treatment	Qualities	Your advantages
Upper arm insert Centre joint Lower arm insert with front rail holder	Aluminium drop-forged	Chrome-free pre-treated, powder coated	Highly resistant to breakage, surface permanently resistant to scratching and weather	The weinor tilting arm member is a masterpiece of modern awning technology. The advantages: special arm geometry and thus does not rest on the fabric. Stability and durability thanks to the high-grade materials.
Rotating parts in the arm	Stainless steel bolts with Teflon-coated sleeves on bearings		Maintenance-free, rust-free, reliable	High-grade building components mean permanent free movement when opening and retracting.
Arm section Front rail Top section	Aluminium, extruded	Chrome-free pre-treated, powder coated or technically anodised	Surface permanently resistant to scratching and weather	You choose the powder coating colour for your awning sections to suit your personal taste. Pre-treating the sections prevents corrosion altogether, even on damaged surfaces.
Open-link chain in the arm	Round steel, special high grade		Extremely high resistance to wear and tear	Virtually non-wearing in continuous testing – therefore 10-year guarantee on the open-link chain in the centre arm joint.
Top plates	Cast aluminium	Powder coated	Surface permanently resistant to scratching and weather	
Rectangular support pipe 50 x 30 mm	Steel	Galvalume coated, chrome-free pre-treated and powder coated	High torsional strength, surface permanently weather-resistant	Quality, stability and weather resistance that you can lastingly depend on.
Screws	Stainless steel		Non-corrosive	No rust, no appreciable wear and tear
Awnings material	Acrylic		Spin-jet dyed, impregnated	The weinor fabric collection offers a wide variety of sophisticated patterns for Topas awnings.
Valance	Acrylic	Spin-jet dyed, impregnated	Light- and weather proof	The piped border makes fitting and removing the valance simple.
Drive motor			Precisely manufactured, sturdy design	The awning is opened and retracted by an electric tubular motor integrated into the fabric roller.

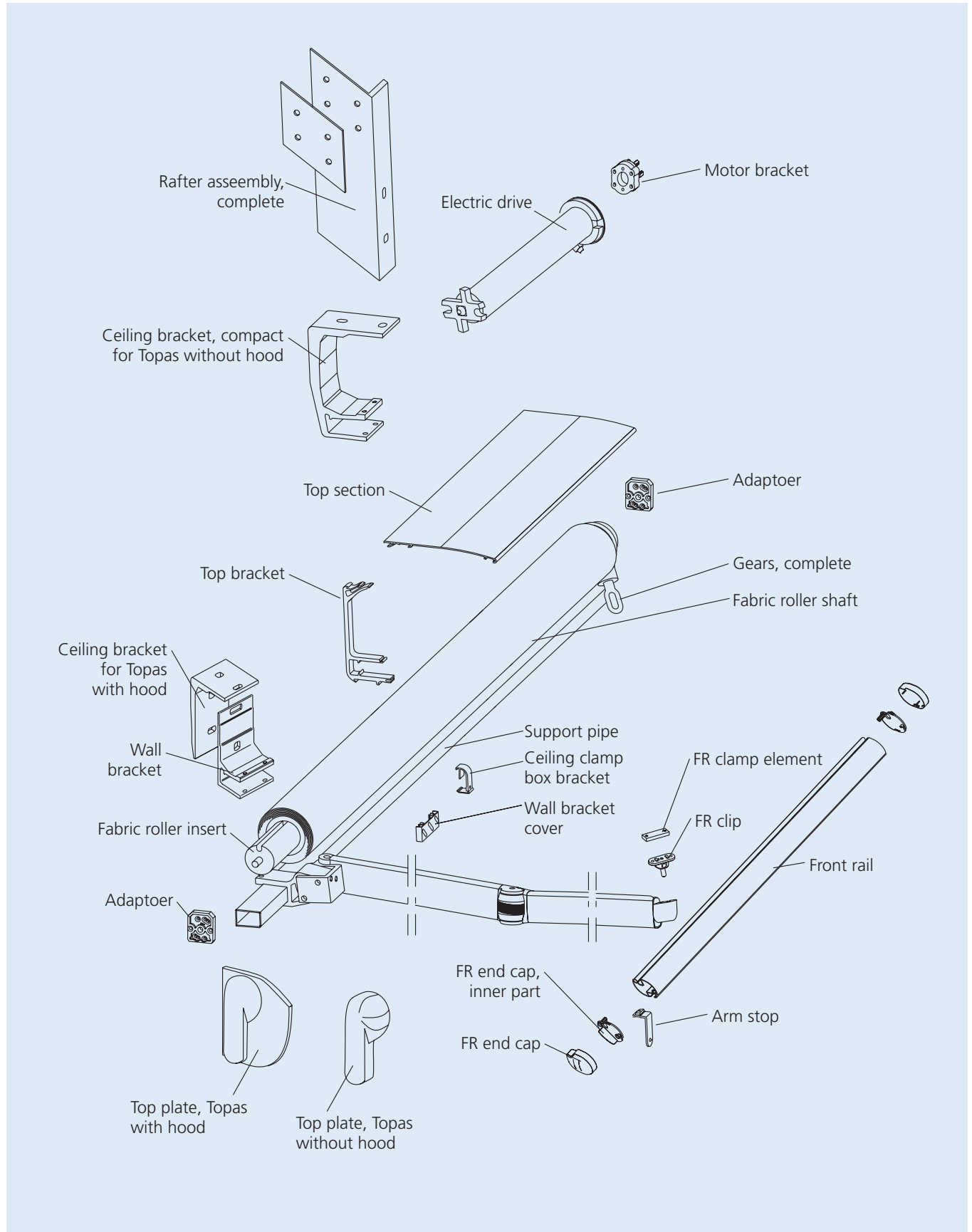
Product options at a glance

Designation	Material	Surface treatment	Qualities	Your advantages
Awning fabric from external suppliers	Acrylic	Spin-jet dyed, impregnated	Warp printed, watertight	Even greater selection of unicolour and striped fabrics.
	Soltis® Air	Specially coated polyester fibre	Microvented, light permeable	Also suitable when the sun protection needs to be more light- and wind permeable than acrylic.
Valance Plus with gear drive	Acrylic or Soltis®	Spin-jet dyed, impregnated, specially coated polyester fibre	Light- and weather proof, microvented, light permeable	The fabric on the Valance Plus can be cranked open to a length of 200 cm. The piped border makes fitting and removing the valance simple.
Valance Plus with motor	Soltis®	Specially coated polyester fibre	Microvented, air-permeable	The Valance Plus can be opened up to a length of 210 cm
	Seamless unicolour acrylic fabrics	Spin-jet dyed, impregnated	Dirt- and water-repellent due to use of nanotechnology	weinor's fabric collection includes a wide variety of sophisticated patterns (9 in total)
Convenient remote control system for Valance Plus				The WeiTronic Combio MVL allows you to control the motor and the Valance Plus valance using one single receiver.
Drive crank mechanism with limit stop	Gearing 3:1	Gear casing powder coated in black (similar to RAL 9005), white (similar to RAL 9016) or grey (similar to weinor 7319)	Gears with limit stop, easy to operate	Completely free from operating error. The limit stop prevents the fabric from rolling up incorrectly.
Remote-controlled drive				On request, an integrated tubular motor with WeiTronic receiver can be fitted. The WeiTronic Remoto handheld remote control makes for easy operation of the awning. See the Accessories section for more details.
Light Bar Lux	Aluminium, extruded	Chrome-free pre-treated, powder coated	Surface permanently resistant to scratching and weather, dimmable	The weinor Light Bars Lux and Lux Design can be directly mounted onto the walls of the house. They are operated by means of a wall switch or remote control device. See the Accessories section for more details.

Product options at a glance

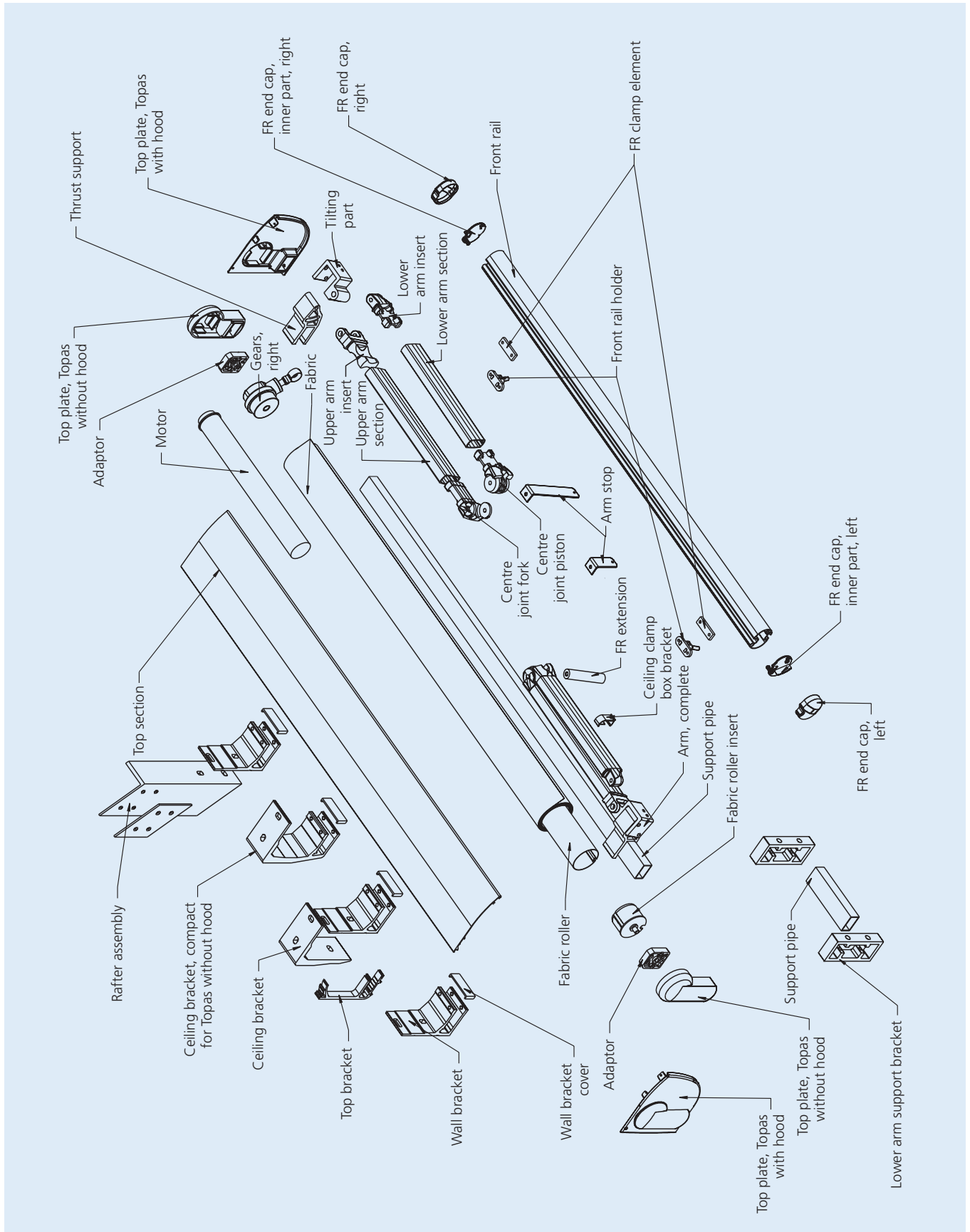
Designation	Material	Surface treatment	Qualities	Your advantages
Heating system Tempura	Corrosion-free materials	Chrome-free pre-treated, powder coated	Splash-proof, IP24, for use indoors and outdoors	The Tempura heating system can be directly mounted onto the walls of the house. It is operated by means of a wall switch or remote control device. See the Accessories section for more details.
Wall and ceiling brackets, top bracket	Aluminium, extruded, profiles cut and machined	Machine-edged, chrome-free pre-treated, powder coated	Surface permanently scratch and weather resistant	Sophisticated quality, precise and weather resistant down to the very last detail. Easier service due to use of same components.

Exploded view of Topas with and without hood

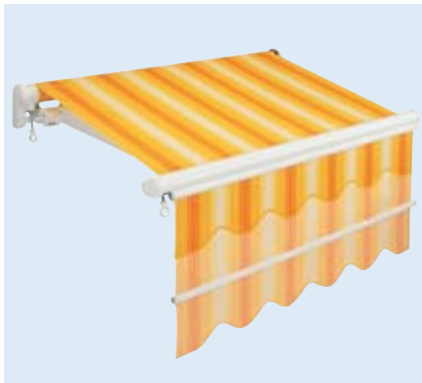


We reserve the right to make technical alterations. April 2009

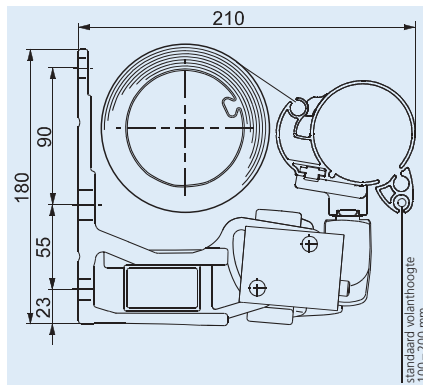
Exploded drawing Topas MiniMax



Product options Valance Plus and gear drive



Topas with Valance Plus



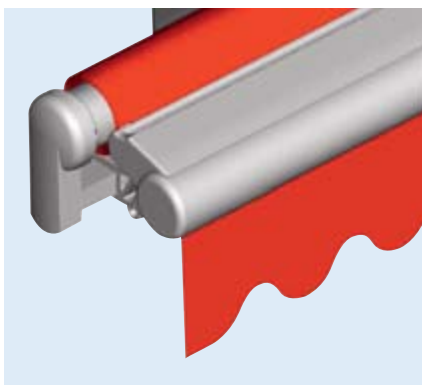
Cross-section of the Topas with Valance Plus (gear drive)

weinor Valance Plus with gear drive

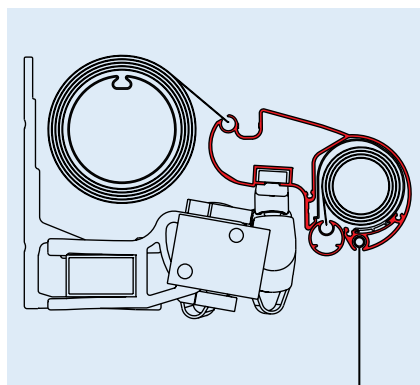
- Protects against low sun or curious onlookers
- Can be opened to any length using the crank.

- For awning widths of up to 500 cm the maximum projection is 350 cm.
- For awning widths of 501 to 600 cm the maximum projection is 300 cm.
- The maximum width of the Valance Plus is 200 cm.

Product options Valance Plus and motor



Topas with Valance Plus



Cross-section of the Topas with Valance Plus (motor)

weinor Valance Plus with motor

- Protects against low sun or curious onlookers
- Infinitely extendable.

- For awning widths of up to 500 cm the maximum projection is 350 cm.
- For awning widths of 501 to 600 cm the maximum projection is 300 cm.
- The maximum width of the Valance Plus is 210 cm.

Topas MiniMax – more than just an option

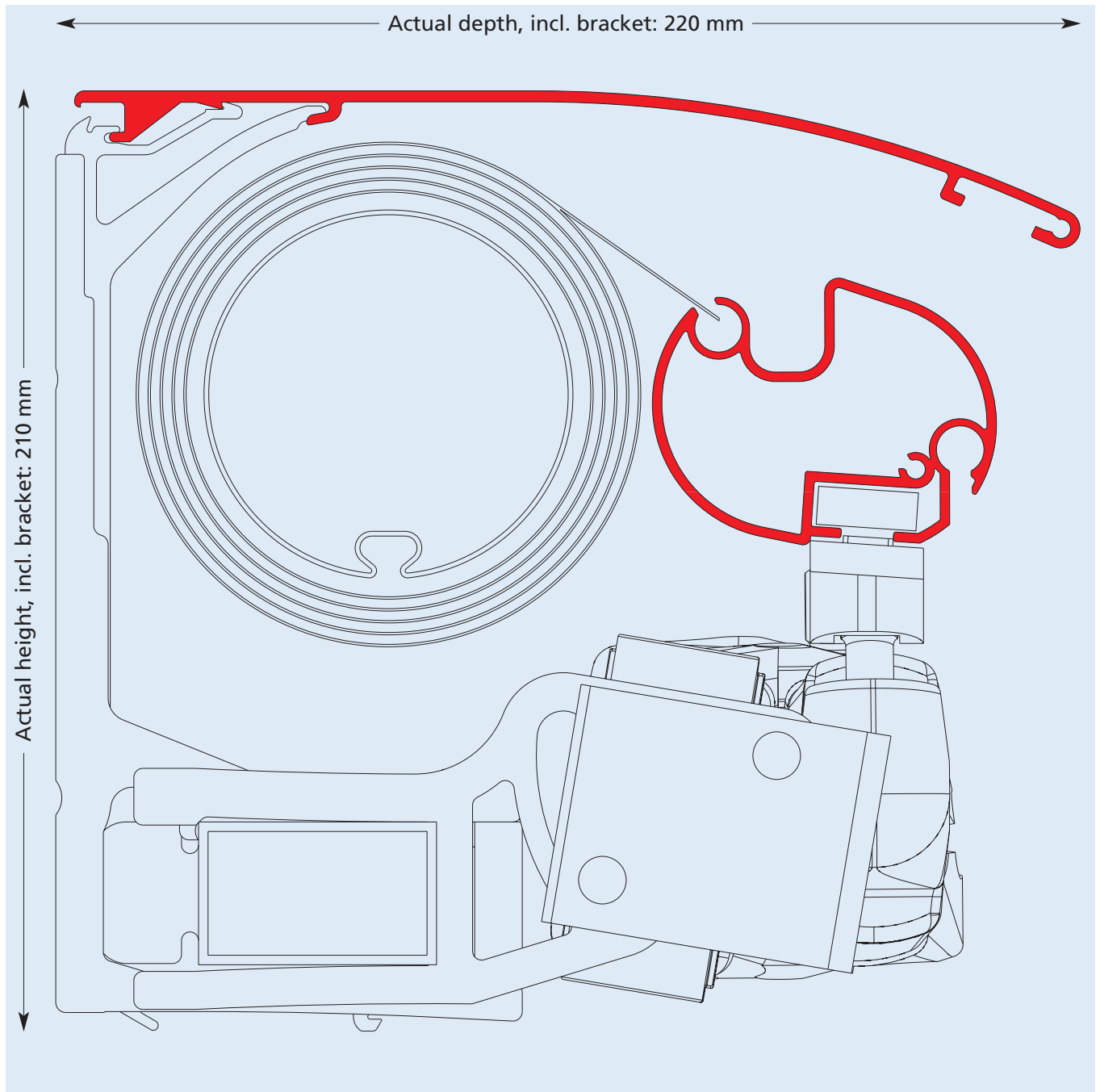


More projection than width

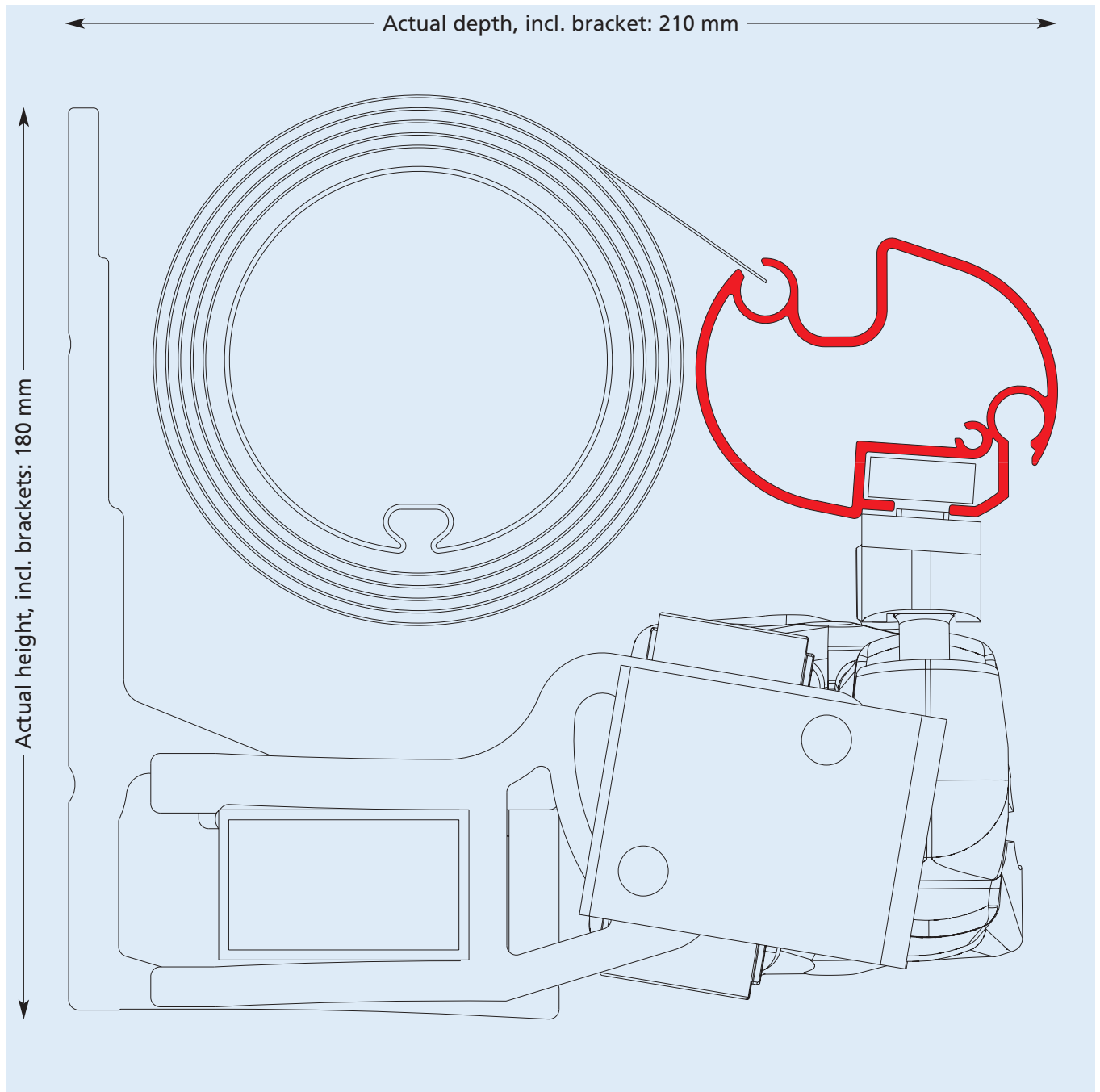
Maximum size of the Topas MiniMax

- Width up to 500 cm
Projection up to 400 cm
- The crossing arms on the Topas MiniMax are installed at varying heights. As a result of these statics, it is possible to achieve more projection than width, e.g.: width: 235 cm vs. Projection: 400 cm
- You decide on which of the two sides the lower arm should be installed.

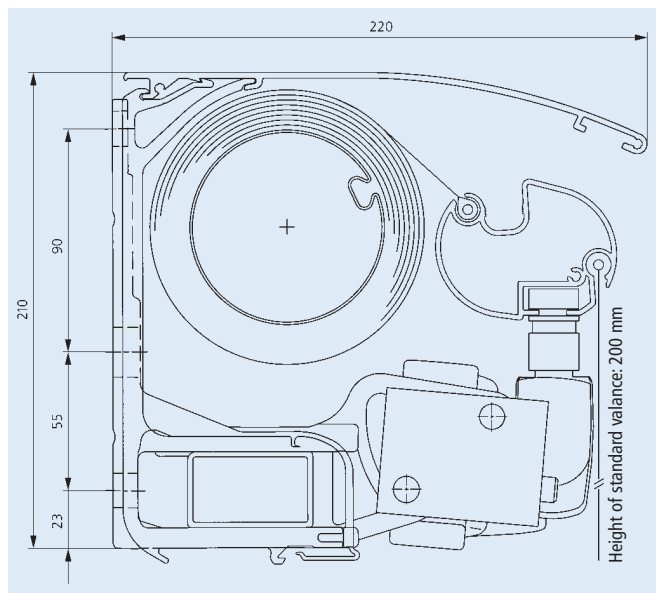
Cross-sectional drawing Topas with hood – not to scale



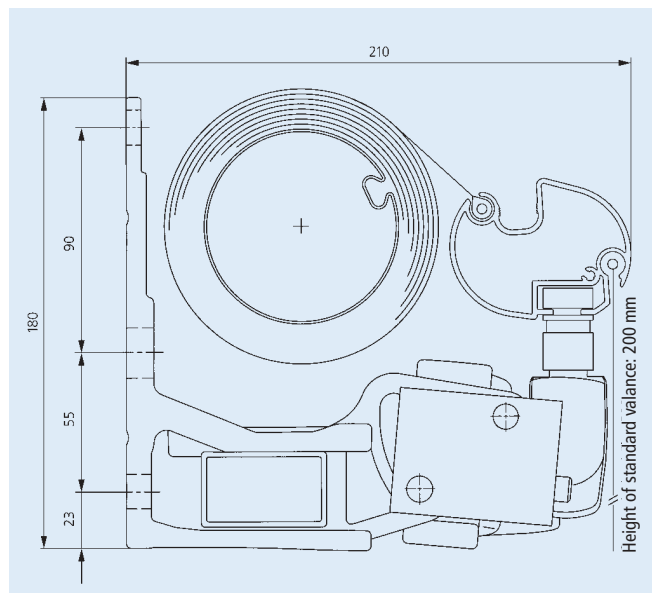
Cross-sectional drawing Topas without hood – not to scale



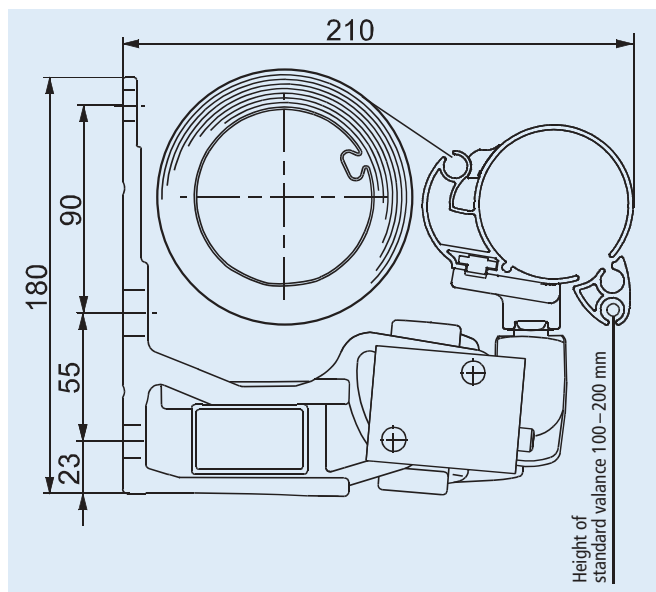
Cross-sectional drawings and dimensions



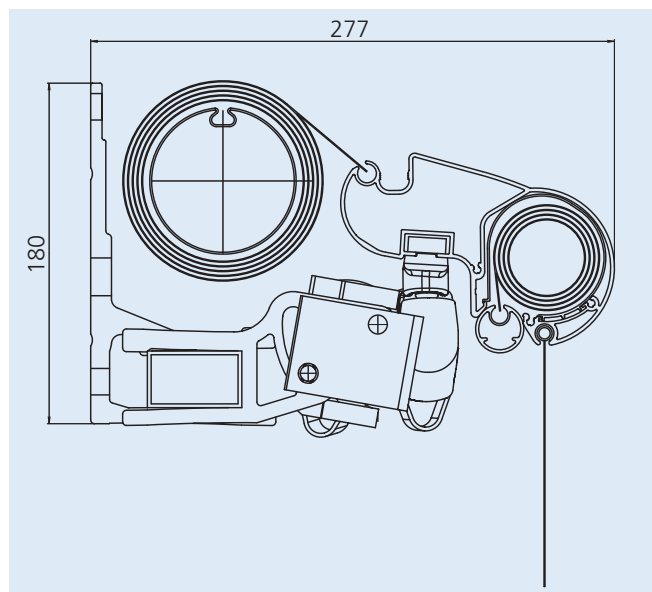
Cross-section of the **Topas** with hood
Overall height including standard valance:
approx. 300 mm



Cross-section of **Topas** without hood
Overall height including standard valance:
approx. 280 mm

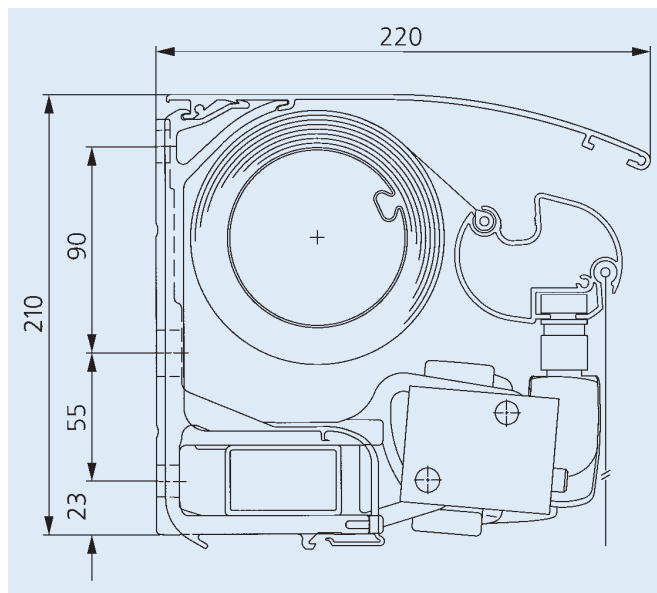


Cross-section of **Topas** without hood
with Valance Plus and gear drive

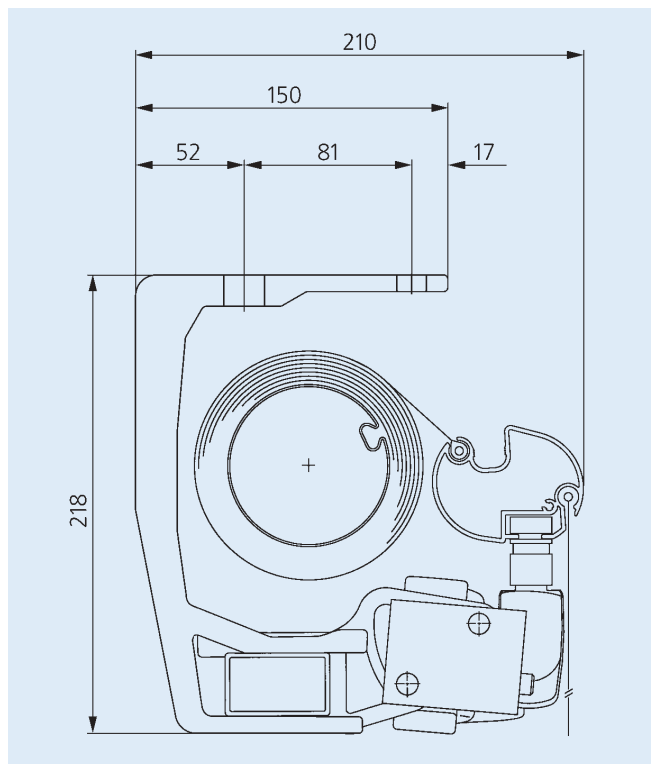


Cross-section of **Topas** without hood
with Valance Plus and motor

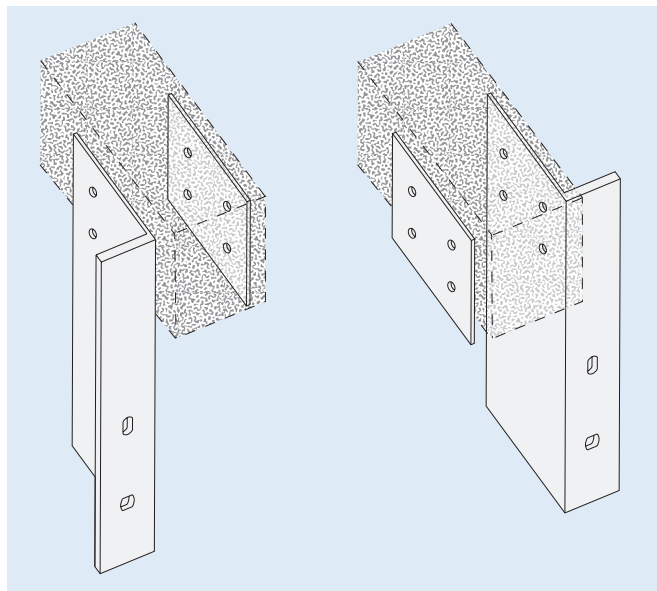
Installation possibilities, Examples



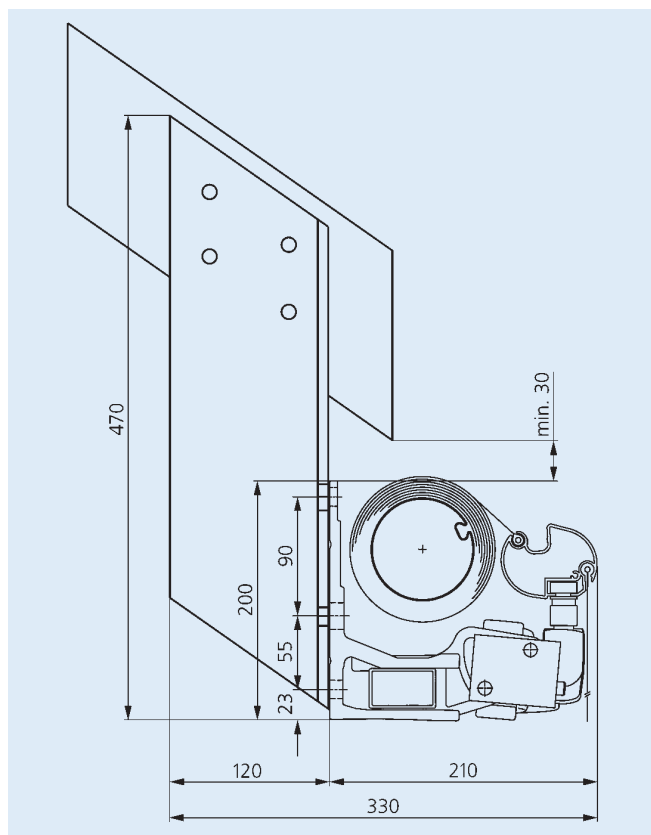
Wall-mounted Topas with hood



Roof-mounted Topas without hood

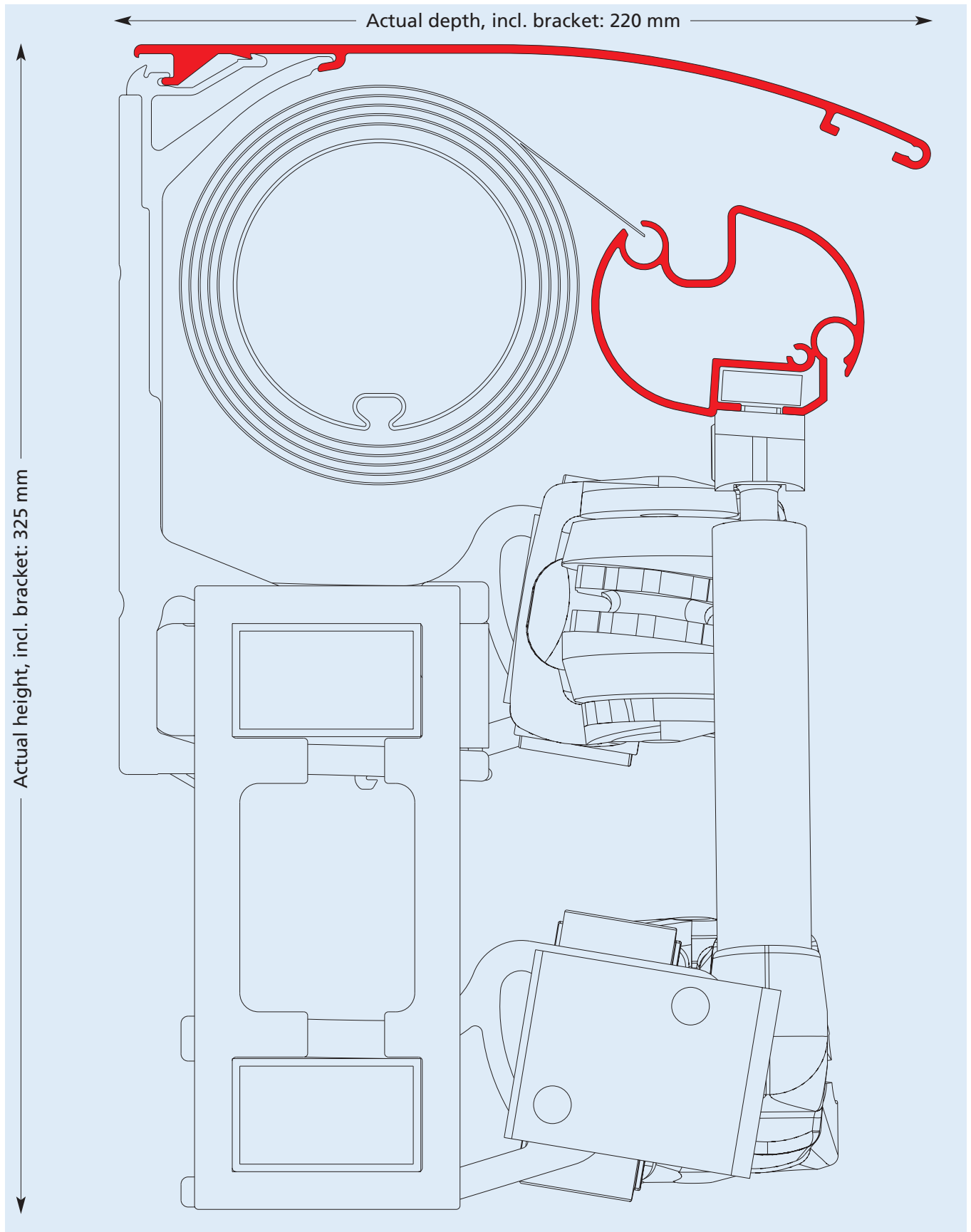


Joist bracket left or right as seen from the outside

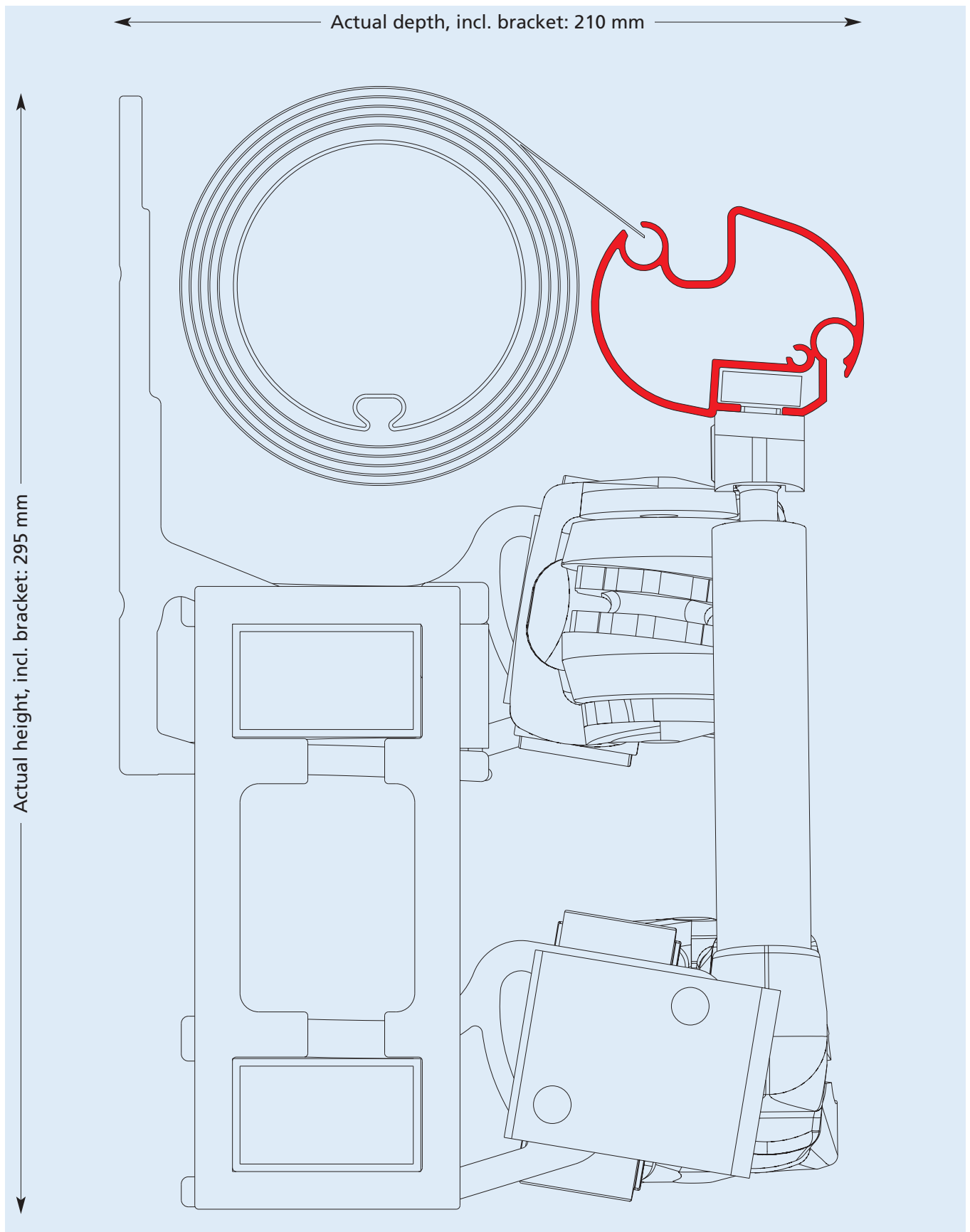


Rafter-mounted Topas without hood

Cross-sectional drawing Topas MiniMax with hood – not to scale

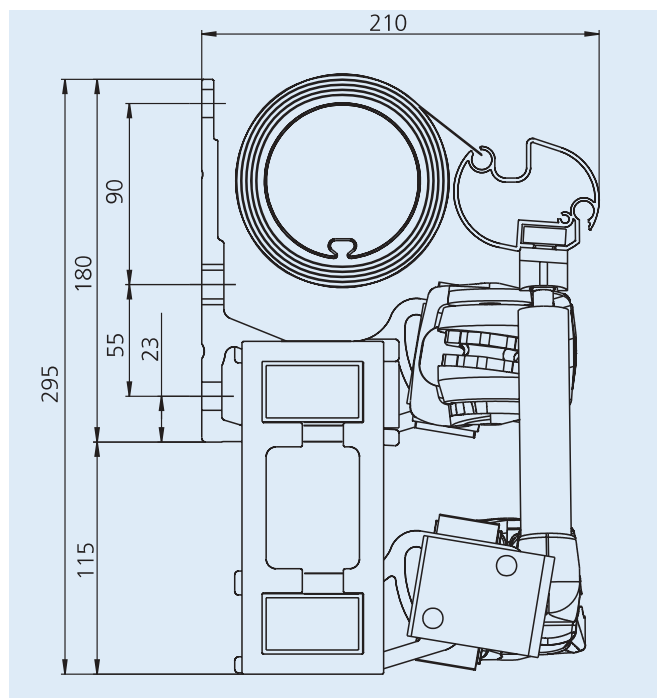


Cross-sectional drawing **Topas MiniMax** without hood – not to scale

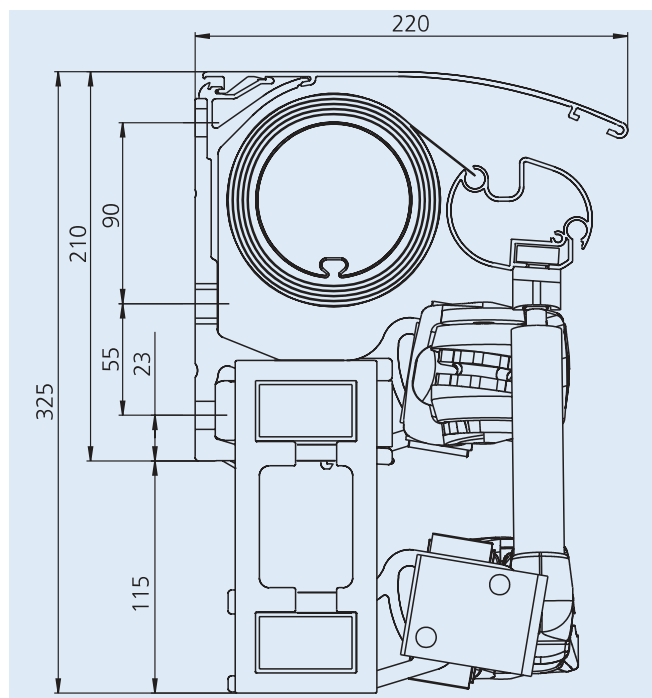


Installation possibilities, Examples

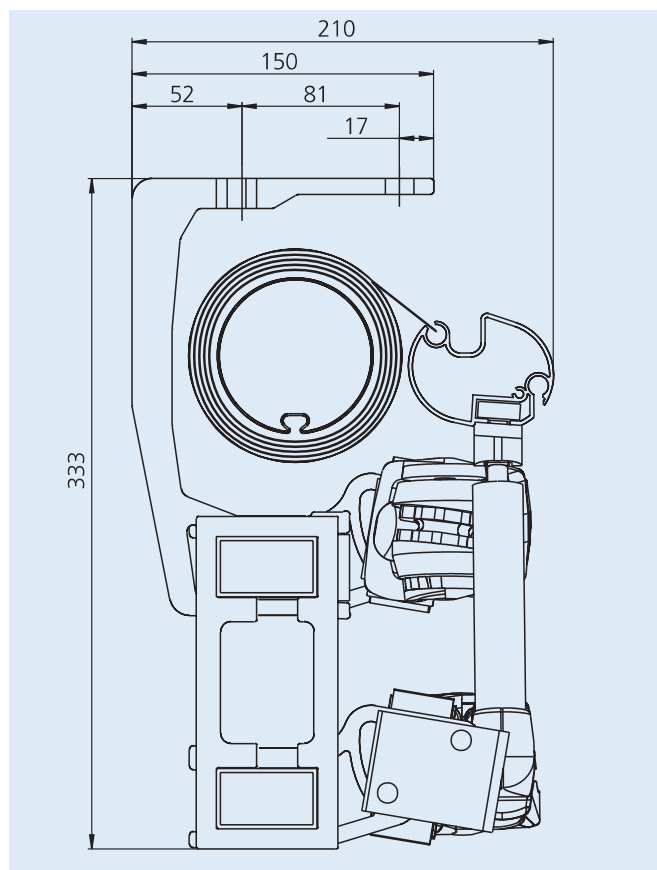
We reserve the right to make technical alterations. April 2009



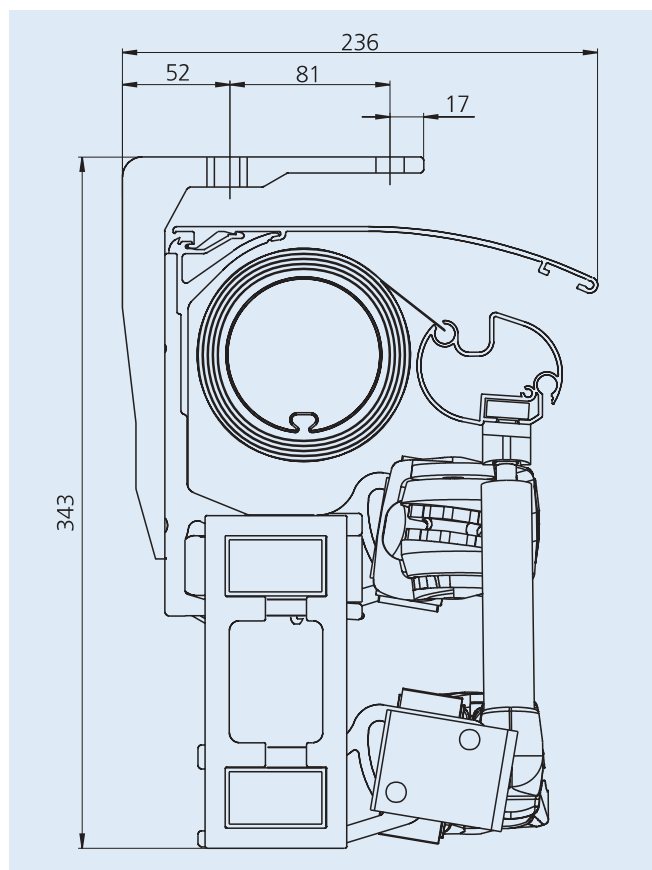
Wall-mounted without hood



Wall-mounted with hood,
see pricelist for restrictions



Roof-mounted without hood



Roof-mounted with hood,
see pricelist for restrictions