

Premium quality
Made in Germany



I 2000 | K 2000 | N 2000



Contents

Product highlights	4	Planning/measuring	11
Awning fabrics	8	Cross-sections	12
Frame colours	8	Installation options	14
BiConnect remote control	9	Extraction forces	18
Automatic weather control and accessories	10		

weinor I 2000, K 2000, N 2000 –
proven technology, timeless design



The I/K 2000 is the tried-and-tested, classic cassette awning – as an I 2000 without back-plate for level building facades, as the K 2000 with back-plate for uneven bases. The sturdy weinor awning with its support pipes can be used almost anywhere. As the decor on the front rail and the end caps suggest, the I/K 2000 tends towards a more traditional design. The optional LED light bar makes the awning part of any stylish evening. The N 2000 is an awning designed especially for niche fixing. With its unique flat front rail the awning disappears almost completely into the facade – with simple straight lines it is designed for a specific need, and is very common for installation above shop-fronts.

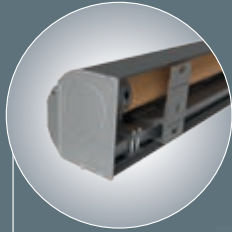
I/K/N 2000 highlights



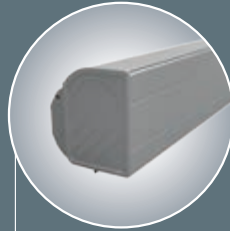
47 frame colours
and 9 trend colours



10-year warranty on
LongLife arm



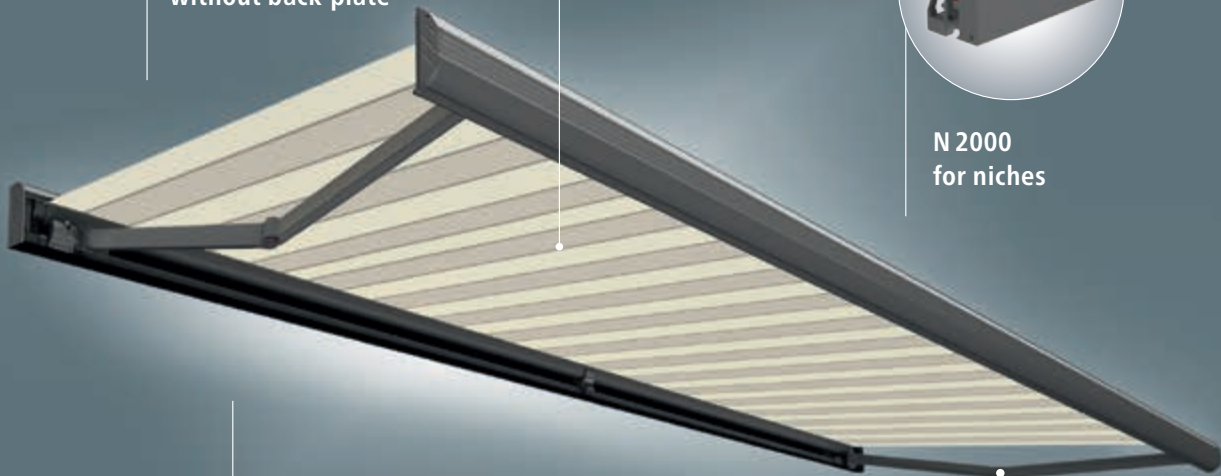
I 2000
without back-plate



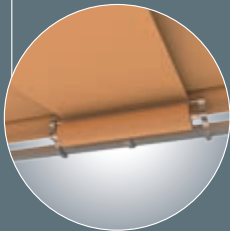
K 2000
with back-plate



N 2000
for niches



Multi-section units with
sliding support or
jockey cover

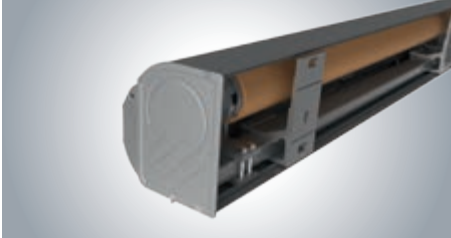


weinor
LongLife arm



Product benefits in detail

Sophisticated design and technology: highlights of the weinor I/K/N 2000



I 2000: open cassette – perfect for wall installation

The I 2000 cassette awning is open on the side facing the wall.

- extremely well suited to wall mounting, e.g. beneath roof overhangs
- shapely front rail allows it to close precisely and provide perfect protection for fabric and fittings



K 2000: closed cassette – back-plate for extra protection

The K 2000 features an additional back-plate, completely closing it off.

- for every building situation
- back-plate profile makes it equally suitable for
 - wall installation
 - ceiling installation
 - rafter installation



N 2000: niche cassette – for flush fit at facade

The N 2000 is specially designed for niche installation.

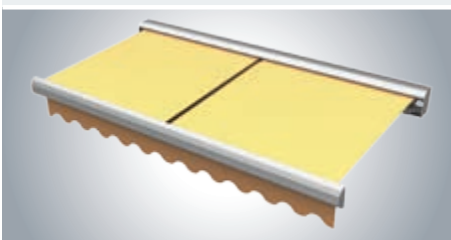
- embedded in the building facade
- edge of front rail fits flush with the building facade
- tilting member closes the front rail firmly



weinor LongLife arm – resilient and durable

The LongLife arm features an exceptionally robust high-tech belt.

- tested to more than 100,000 cycles
- extremely quiet operation
- no maintenance required
- drop-forged aluminium in joint – light but highly robust



Multi-section units – to shade especially large areas

The I/K 2000 also comes as a combined multi-section unit for very large patios – coupled or in series.

- as a 2-part unit up to 1,200 cm
- jockey cover or sliding support with continuous fabric



- standard
- optional
- unavailable

I/K/N 2000 versions

	I/K 2000	N 2000
Technology		
Max. width, 1-section/2-section with jockey cover or sliding support	700 cm/1,200 cm	600 cm
Max. projection	400 cm	350 cm
Cassette size (W x H)	198/200 mm x 211 mm	200 mm x 185 mm
Coupled systems	○	—
Crank drive	○	○
Motor drive	● as standard	● as standard
Setting awning pitch	5° to 40°	5° to 40°
Installation options	can be installed on walls, ceilings and rafters	
LED lighting: Design light bar	○	○
Design		
47 standard frame colours	●	●
Over 150 other RAL colours	○	○
9 trend colours	●	●
Other textured colours	○	○
weinor fabric collection	●	●
Accessories		
Tempura heating system	○ fixes in place with universal bracket	
Controls		
Remote control	see p. 9	
No remote	fully wired and ready to plug in	fully wired and ready to plug in
Quality		
Tested up to	wind Force 5 on the Beaufort scale and wind resistance class 2 according to DIN 13561	





Fabrics – attractive, brilliant long-lasting colours

For an attractive awning you need a high-quality fabric. The 'colours by weinor®' collections provide a wide selection.

- solution-dyed to make them colour-fast
- stay beautiful thanks to dirt- and water-repellant nano-coating
- optional: wide range of collections by other manufacturers



Acrylic fabrics
100 patterns



Polyester fabrics
55 patterns

- high-quality acrylic
- proven for decades
- fabric width: 120 cm/240 cm

- innovative polyester quality
- high-stretch with memory effect®
- fabric width: 120 cm



Wide range of frame colours – abundance of choices

weinor coats all of its products in its own workshop. This ensures that they have the best-possible colour tonality and identical gloss levels.

- 47 standard RAL frame colours, silk gloss (gloss level $70 \pm 5\%$ when measured at a 60° angle)
- 9 scratchproof, resistant trend colours with a textured look
- over 150 special RAL colours

47 standard frame colours

RAL 1002 Sandy yellow	RAL 1003 Signal yellow	RAL 1014 Ivory	RAL 1015 Light ivory	RAL 1023 Traffic yellow	RAL 1034 Pastel yellow	RAL 2000 Yellow orange	RAL 2002 Vermilion	RAL 2011 Deep orange
RAL 3002 Carmine red	RAL 3004 Magenta red	RAL 3007 Black red	RAL 4005 Blue lilac	RAL 4006 Traffic purple	RAL 5005 Signal blue	RAL 5009 Azure blue	RAL 5014 Pigeon blue	RAL 5021 Water blue
RAL 5022 Night blue	RAL 5024 Pastel blue	RAL 6005 Moss green	RAL 6009 Fir green	RAL 6011 Reseda green	RAL 6012 Black green	RAL 7015 Slate grey	RAL 7016 Anthracite grey	RAL 7021 Black grey
RAL 7030 Stone grey	RAL 7032 Pebble grey	RAL 7035 Light grey	RAL 7039 Quartz grey	RAL 7040 Window grey	weinor 7319 weinor grey	RAL 8001 Ochre brown	RAL 8003 Clay brown	RAL 8014 Sepia brown
RAL 8016 Mahogany brown	RAL 8017 Chocolate brown	RAL 8019 Grey brown	RAL 8022 Black brown	weinor 8077 weinor dark brown	RAL 9001 Cream	RAL 9005 Jet black	RAL 9006 White aluminium	RAL 9007 Grey aluminium
RAL 9010 Pure white	RAL 9016 Traffic white							

9 trend colours

WT 29/10797 Approx. RAL 9010	WT 29/50704 Approx. RAL 6009 metallic	WT 29/60740 Chestnut 04 metallic	WT 29/70786 Sparkling iron effect	WT 29/71289 Approx. RAL 7016	WT 29/80077 Approx. DB 703 metallic	WT 29/80081 Iron glimmer effect P7	WT 29/90146 Approx. RAL 9006 metallic	WT 29/90147 Approx. RAL 9007 metallic

weinor is an eco-friendly company. To ensure compliance with high environmental standards, manufacturing processes and materials undergo regular testing by experts.

As a result of the ban on the use of heavy metals in powder coatings, paint manufacturers can no longer guarantee colour stability despite making every effort to do so. It therefore cannot be excluded that colours in general, and Fire Red (RAL 3000) in particular, may fade with time. For technical reasons, the colours may appear significantly different when printed.



BiEasy 5M

BiEasy 15M
with display

weinor BiConnect – coordinated control for awning, light and heating (optional)

The awning comes as standard with one motor and can optionally be controlled with the pre-programmed BiConnect remote control.

There are handheld transmitters with different numbers of channels: choose from 1, 5 or 15 channels with a display.



weinor BiEasy handheld transmitter

- safe to operate on protected frequency (868 MHz)
- range of up to 100 m

BiRec remote-controlled receiver

- various remote-controlled receivers depending on functions used
- to suit awning fittings – e.g. to extend and retract the awning or dim the lights

Product	Comes with (integrated)	Remote receiver	Handheld transmitter
I/K/N 2000	awning motor	BiRec MA	BiEasy 1M/5M/15M
	+ Tempura heating system*	BiRec HD	BiEasy 5M/15M
	+ LED Design light bar*	BiRec MLED	BiEasy 5M/15M
	+ Tempura heating system* + LED Design light bar*	BiRec MLED + BiRec HD	BiEasy 5M/15M

Requires: awning with BiConnect remote control; sensors require at least a BiEasy 1M, 5M or 15M
* option

Product	BiConnect	Somfy RTS	Somfy io
I/K/N 2000	●	●	●

● available — not available



Product protection sensor BiSens Agido-3V

The awning retracts when the wind protection sensor BiSens Agido-3V is activated by suitable wind levels.

- threshold value adjustable
- only sold with BiConnect
- energy-saving technology
- battery life 2 years
- awning remains in place approx. 20 minutes after retraction
- fitted into front rail



BiSens SWR-230 V

Sun, wind and rain sensors – automatically protect your product and prevent excess heat (optional)

The BiConnect series remote sensors automatically extend the awning when the sun shines and reliably retract it in the wind or rain.

Available types:

- BiSens SWR-230 V sun, wind and rain sensor
- BiSens SW-230 V sun and wind sensor
- also solar-run: BiSens SW-Solar



Tempura Universal heating system, high-performance level (optional)

The energy-efficient Tempura infrared heating system has an impressive heating capacity of over 1,500 watt in a tiny housing.

- instant heat: no warm-up time
- turn as required for targeted warmth
- operate and dim using BiConnect remote control
- splash protection
- comes in 47 standard frame colours plus 9 scratchproof, resistant trend colours with a smart, textured look
- option: 150 special RAL colours
- universal bracket makes it easy to retrofit
- TÜV tested



LED Design light bar – 30,000 hours of lighting with minimal energy consumption (optional)

Select LED components for top weinor quality:

- atmospheric light thanks to special glass lenses
- especially energy-efficient
- lifetime of 30,000 hours
- remote dimming with BiConnect
- fitted to support pipe using angle bracket
- easy to service: simply replace individual LED lights without uninstalling the awning
- patent pending



Determining the diagonal and clearance height:

1. Find the diagonal by looking in the 'Diagonal' table for the terrace depth.
2. Using the diagonal from the table and the required pitch, consult the 'clearance height' table for the clearance height. This clearance height refers to a mounting height of 300 cm.
3. Add/subtract the difference between 300 cm and the actual mounting height to/from the clearance height in the table.

Determining the diagonal

This table can be used to find the awning diagonal for any given horizontal terrace depth.

Pitch	Terrace depth in cm					
	150	200	250	300	350	400
5°	150	200	250	300	350	400
15°	160	210	260	310	360	410
25°	170	220	270	330	390	440

Diagonal in cm (rounded figures)

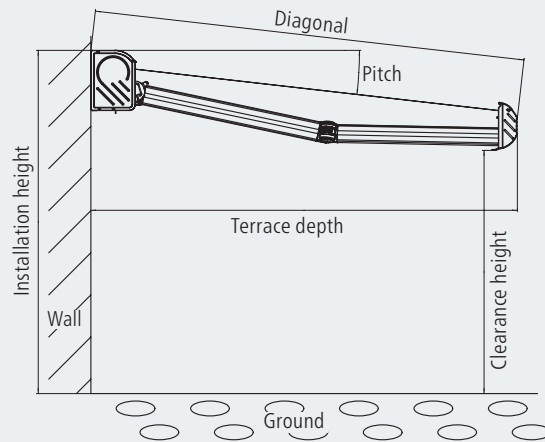
Determining the clearance height

This table is used to find the clearance heights for various diagonals when the tilt angle is 5°, 15° or 25°.

This table is based on the example of an installation height of 300 cm (upper edge of awning).

Pitch	Diagonal in cm					
	150	200	250	300	350	400
5°	270	270	270	260	260	250
15°	250	240	220	210	200	180
25°	220	200	180	160	140	120

Clearance height in cm (rounded figures)



Sizes and bracket recommendations

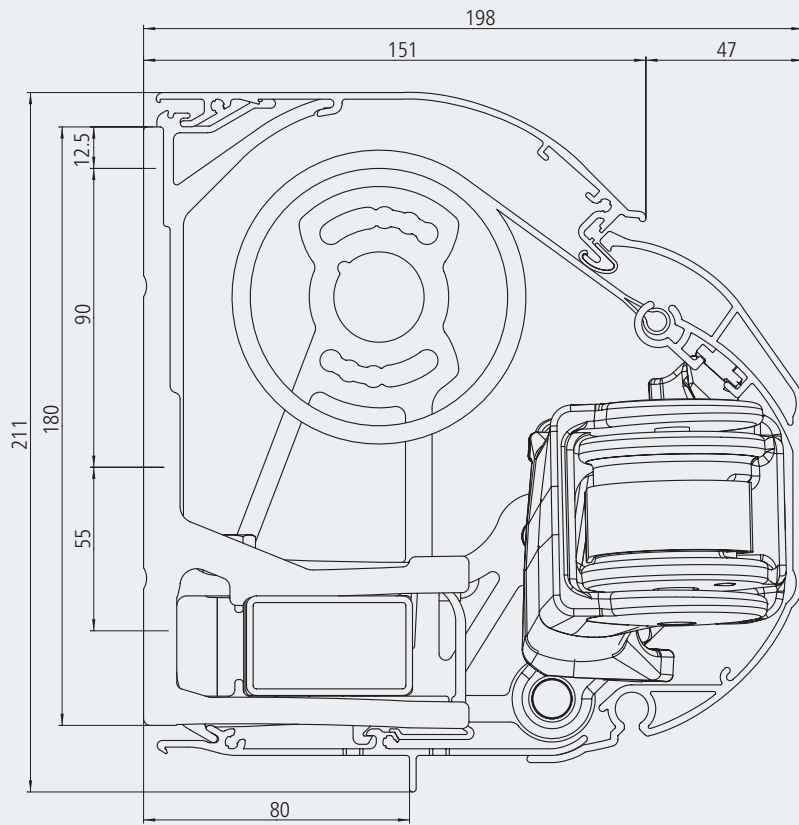


Width in cm	Number of arms	Diagonal in cm (irregular figures possible)					
		150	200	250	300	350	400
- 250	2	●	●	●			
251 - 300	2	●	●	●	●		
301 - 350	2	●	●	●	●	●	
351 - 400	2	●	●	●	●	▲	●
401 - 450	2	▲	▲	▲	▲	▲	●
451 - 500	2	▲	▲	▲	▲	▲	▲
501 - 550	2	▲	▲	▲	▲	▲	▲
551 - 600	2	▲	▲	▲	▲	▲	▲
601 - 650	2	▲	▲	▲	▲	▲	▲
651 - 700	3	●	●	●	▲	▲	▲

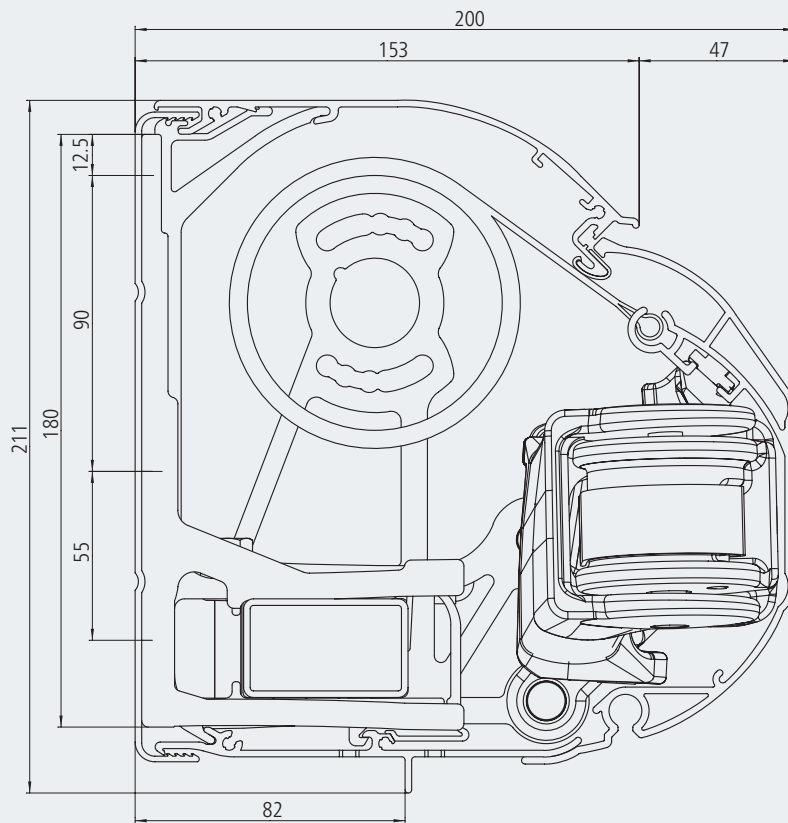
Wall installation on C20/25 concrete with up to 200 mm facing, wind resistance class 2 and a permissible centric tensile load of 5.71 kN for anchor bolts

- 2 I/K/N 2000 standard wall brackets, 85 mm
- 4 I/K 2000 wall brackets, 85 mm
- 2+1 I/K 2000 wall brackets 2 (260) + 1 (85)
- ▲ 3 I/K/N 2000 standard wall brackets, 85 mm
- ▲ 5 I/K/N 2000 wall brackets, 85 mm and
- ▲ 7 standard wall brackets, 85 mm

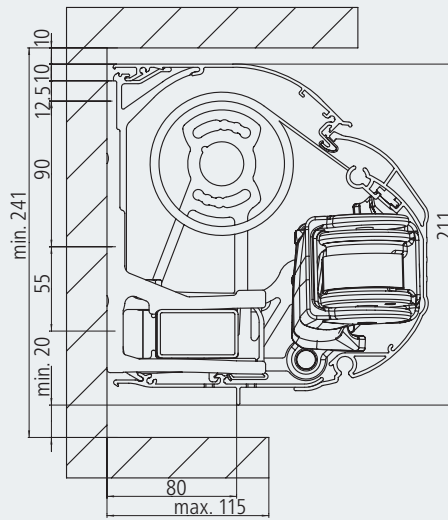
Cross-section of I 2000 (without back-plate)



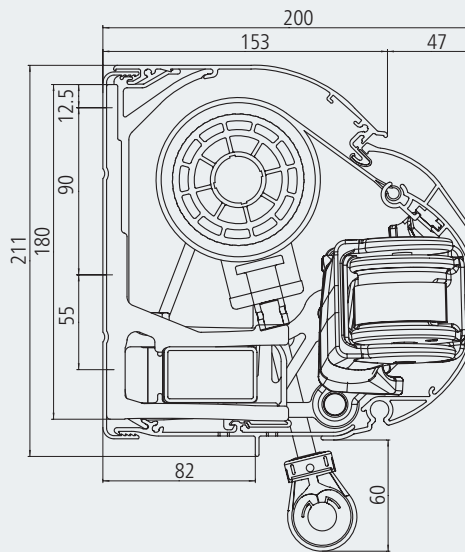
Cross-section of K 2000 (with back-plate)



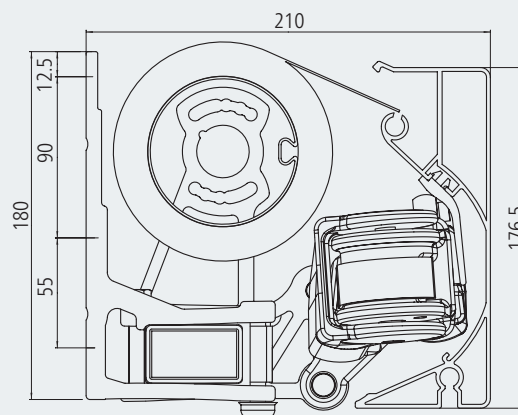
Cross-section of I 2000 (without back-plate) niche installation



Cross-section of K 2000 with gear box (with back-plate)



Cross-section of N 2000

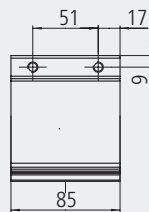
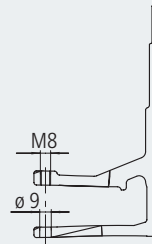
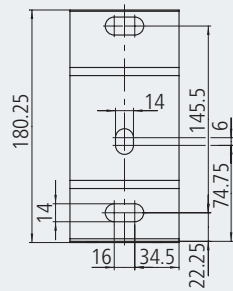
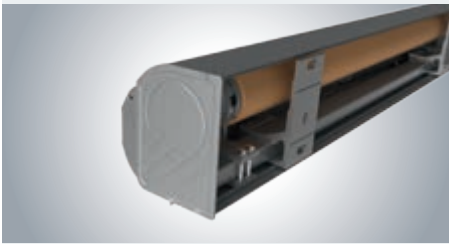


Installation on walls, ceilings or rafters – suitable for various building conditions

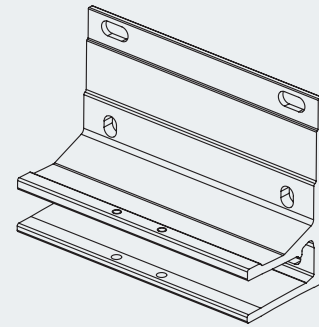
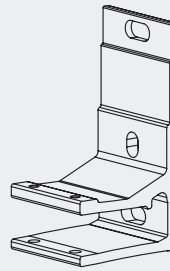
Its dimensions mean that the K 2000 can be mounted in a wide range of ways: not only on a wall but also on a ceiling or a rafter.

The I 2000, open at the rear, is designed for wall installation, while the N 2000 is intended as a special product for niches. The brackets are made of extruded, powder-coated aluminium.

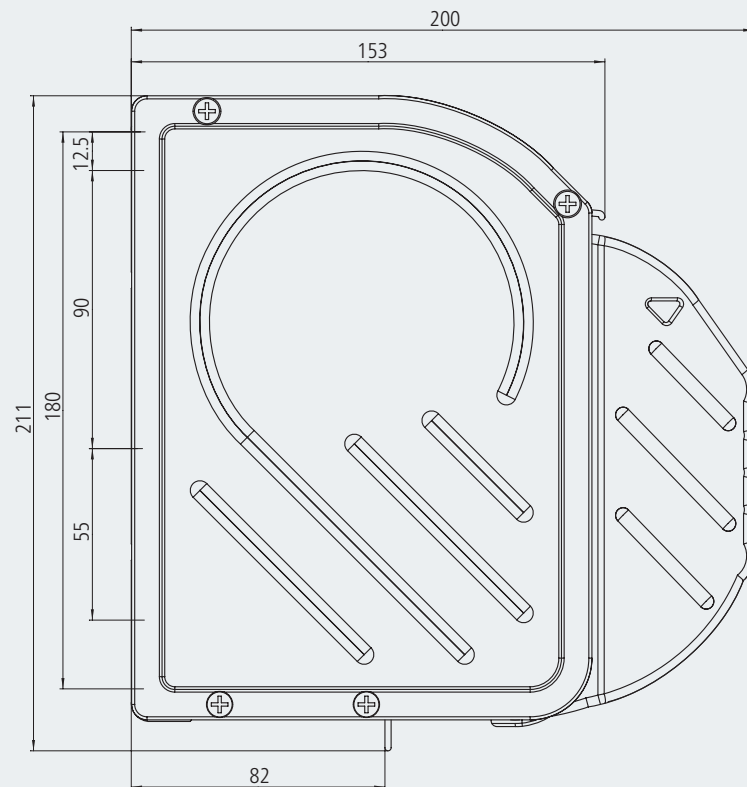
Wall installation



Wall bracket, 85 mm

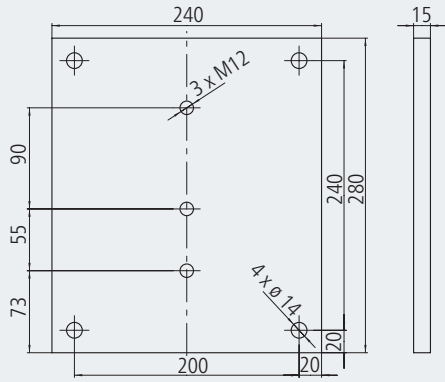


Wall bracket, 260 mm

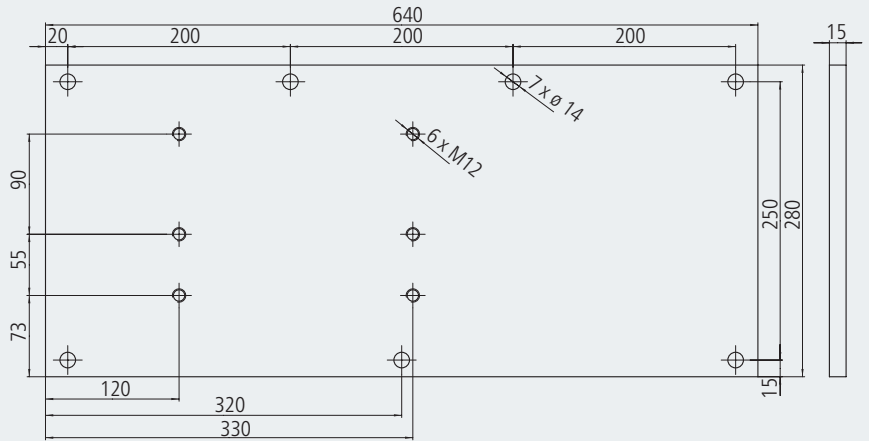


Side view with 85 mm wall bracket

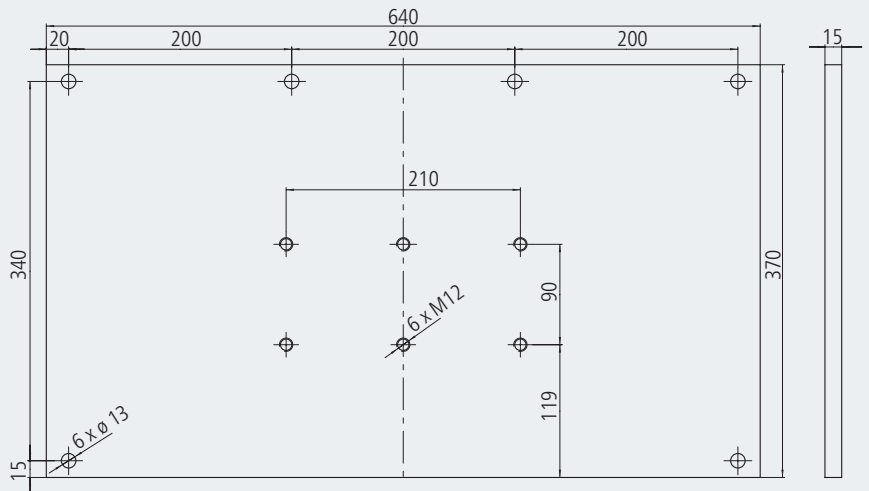
Mounting plate 280 x 240 x 15 mm



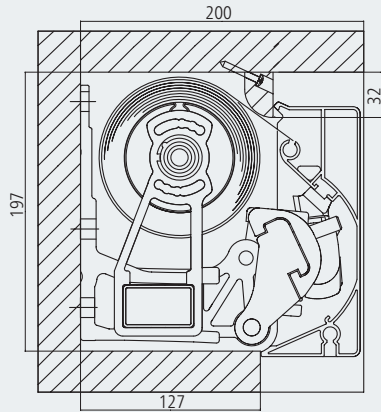
Mounting plate, 640 x 280 x 15 mm



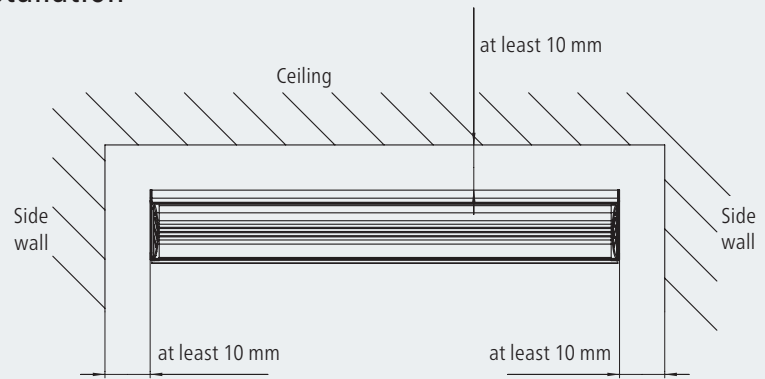
Mounting plate, 640 x 370 x 15 mm



Minimum spacing distances for installation

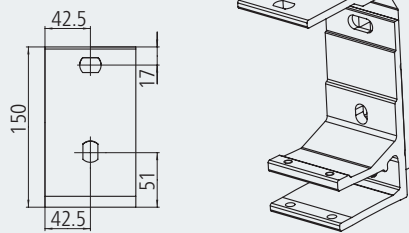
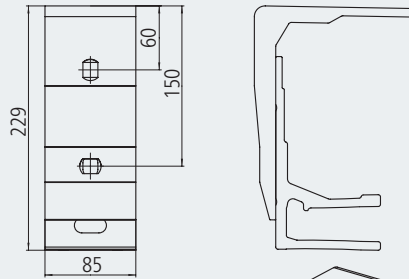


Type N niche installation

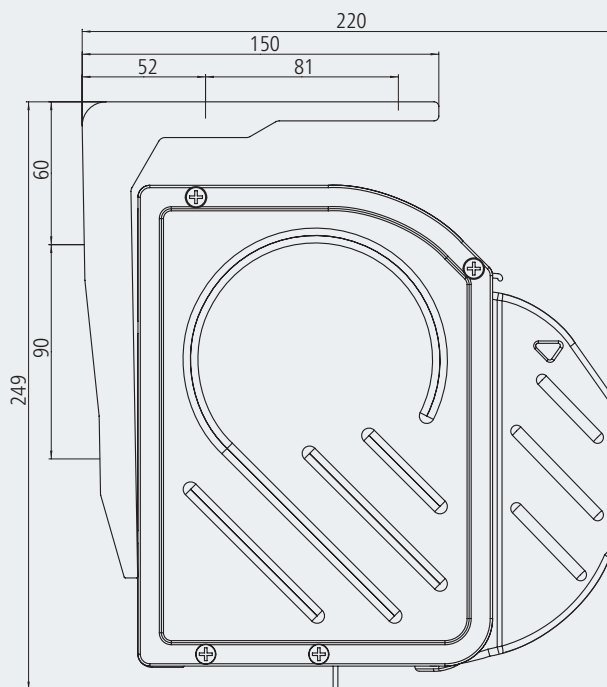


Type I und Type K with niche installation

Ceiling installation

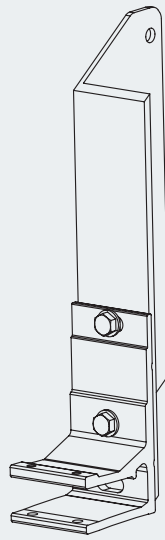
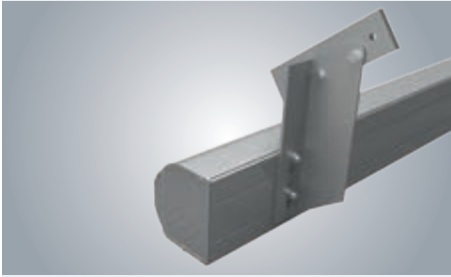


Ceiling bracket

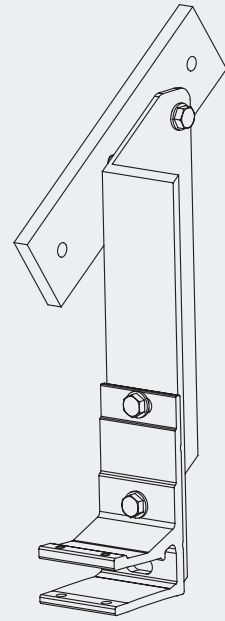


Side view with ceiling bracket

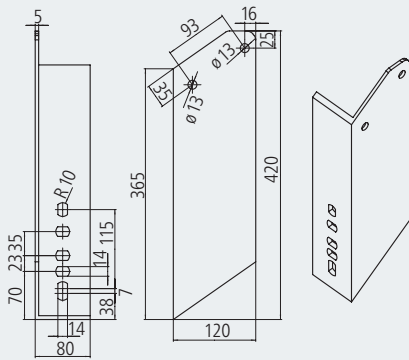
Rafter installation



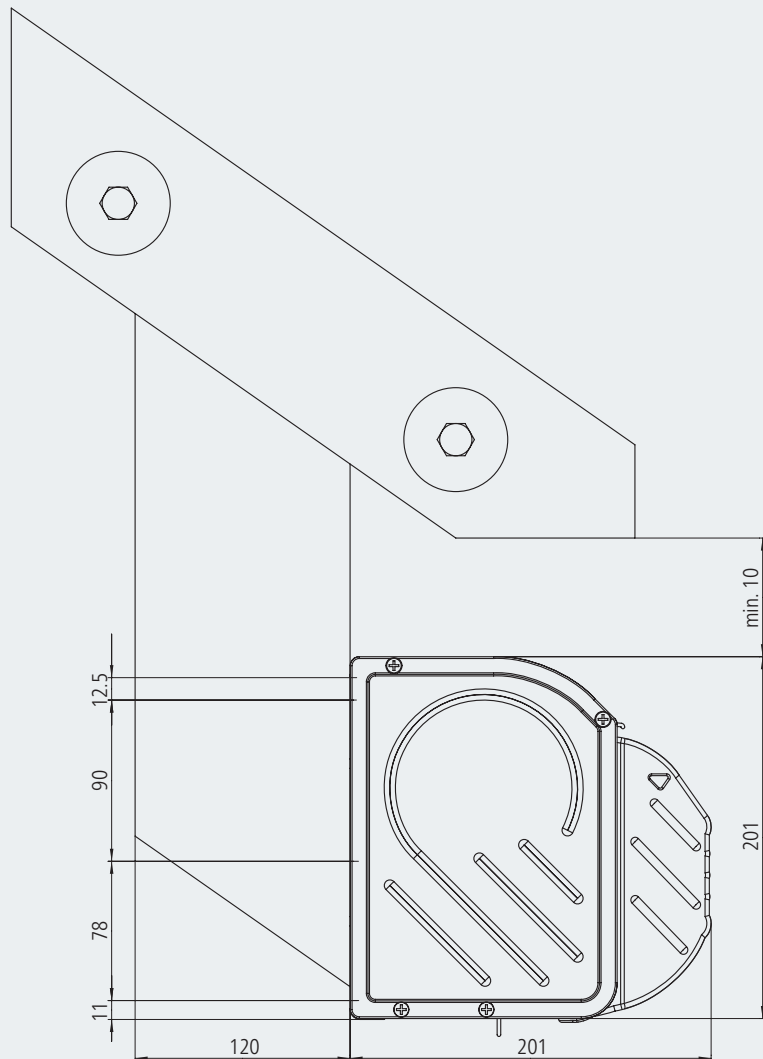
Right-hand rafter bracket



Rafter bracket with mounting plate for right-hand rafter. weinor recommends using mounting plates for rafter brackets.



Rafter bracket



Side view: rafter installation

I/K/N 2000 extraction forces

Wall installation on C20/25 concrete with up to 200 mm of facing, extraction force in N per upper fixing for wall bracket


The extraction force is the force with which the weight of the awning and the wind load pull on each upper fixing. The tables indicate this force in N per upper fixing. It varies depending on the awning size and the wall bracket/mounting plate used.


Selecting the wall bracket and anchoring system:

1. Consult relevant table for extraction force per fixing for selected awning size.

2. Select a wall bracket/mounting plate for which there is a fastener which can resist the indicated extraction force. Remember to take into account the spacing, the area which will be damaged if the fixing breaks out, the type of fixing used and the assembly base.


See separate bracket overview for other bases.


 1 standard wall bracket (85 mm) plus 1 standard wall bracket (85 mm) as a central bracket from 401 cm, 1 standard wall bracket (85 mm) per awning arm, fasteners: 4 in all

 1 standard wall bracket (85 mm) plus 1 standard wall bracket (85 mm) as a central bracket from 401 cm, 2 standard wall brackets (85 mm) per awning arm, fasteners: 8 in all

or

1 wall bracket (260 mm) plus 1 standard wall bracket (85 mm) as a central bracket from 401 cm, 1 wall bracket (260 mm) per awning arm, fasteners: 8 in all

 1 wall bracket (260 mm) plus 1 standard wall bracket (85 mm) as a central bracket from 401 cm, 2 wall brackets (260 mm) per awning arm, fasteners: 16 in all

 Mounting plate (280 x 240 mm) incl. 1 standard wall bracket (85 mm), standard wall bracket (85 mm) incl. base plate, fasteners: 8 in all

Width in cm	Projection in cm					
	150	200	250	300	350	400
250	932	1979	1955			
	466	990	978			
	233	495	489			
	270	400	568			
300	1076	1595	2257	2971		
	538	798	1129	1486		
	269	399	564	743		
	312	462	654	862		
350	1220	1811	2560	3372	4399	
	610	906	1280	1686	2200	
	305	453	640	843	1100	
	354	526	742	978	1276	
400	1364	2028	2862	3773	4912	6908
	682	1014	1431	1887	2456	3454
	341	507	716	943	1228	1727
	396	588	830	1094	1424	2004
450	1508	2244	3164	4174	5425	7653*
	754	1122	1582	2087	2713	3827
	377	561	791	1044	1356	1913
	438	650	918	1210	1574	2220
500	1652	2461	3466	4575	6736	8398*
	826	1231	1733	2288	3368	4199
	413	615	867	1144	1684	2100
	480	714	1006	1326	1954	2436
550	1796	2677	3768	5533	7331*	9143*
	898	1339	1884	2767	3666	4572
	449	669	942	1383	1833	2286
	520	776	1092	1634	2126	2868
600	1940	2894	4070	6095	7927*	9888*
	970	1447	2035	3048	3964	4944
	485	724	1018	1524	1982	2472
	562	840	1180	1768	2298	3084
650	2085	3110	4925	6558	8522*	10633*
	1043	1555	2463	3249	4261	5317
	521	778	1231	1640	2131	2658
	604	902	1428	1902	2472	3300
700	1486	2217	3514	4680	6079	7585
	743	1109	1757	2340	3040	3793
	372	554	879	1170	1520	1896
	430	642	1018	1358	1762	2200

* 2 brackets required per awning arm

I/K/N 2000 extraction forces

Ceiling installation (on C20/25 concrete)

Extraction forces in N for ceiling installation

1 ceiling bracket with standard wall bracket (85 mm),
1 ceiling bracket with standard wall bracket as central bracket from 401 cm,
1 ceiling bracket with standard wall bracket (85 mm) per awning arm, fasteners: 4 in all

1 ceiling bracket with standard wall bracket (85 mm),
1 ceiling bracket with standard wall bracket as a central bracket from 401 cm,
2 ceiling brackets with standard wall brackets (85 mm) per awning arm, fasteners: 8 in all

Width in cm	Projection in cm					
	150	200	250	300	350	400
250	1035	1524	2159	2846	3741	
	518	762	1080	1423	1871	
300	1202	1771	2500	3297	4318	
	601	886	1250	1649	2159	
350	1370	2017	2841	3749	4896	
	685	1009	1421	1875	2448	
400	1537	2263	3182	4200	5473	7650*
	769	1132	1591	2100	2737	3825
450	1705	2510	3523	4652	6051*	8483*
	853	1255	1762	2326	3026	4242
500	1852	2756	3864	5103	7473*	9316*
	926	1378	1932	2552	3737	4658
550	2039	3002	4205	6239*	8138*	10149*
	1020	1501	2103	3120	4069	5075
600	2207	3249	4546	6755*	8803*	10982*
	1104	1625	2273	3378	4402	5491
650	2374	3495	5451	7270*	9467*	11815*
	1187	1748	2726	3635	4734	5907**
700	1278	2495	3891	5190	6755	8433
	639	1248	1946	2595	3378	4217

* 2 brackets required per arm

** Use dowels with permissible extraction force > 5.71 kN

Rafter installation

Shear forces in N for rafter mounting

1 rafter bracket plus
1 standard wall bracket (85 mm),
one of each for left and right,
1 rafter bracket plus 1 standard wall bracket (85 mm) as central bracket from a width of 401 cm

1 rafter bracket plus
1 mounting plate for rafters plus 1 standard wall bracket (85 mm),
one of each for right and left,
1 rafter bracket plus 1 mounting plate for rafters plus
1 standard wall bracket (85 mm) as a central bracket from a width of 401 cm

Width in cm	Projection in cm					
	150	200	250	300	350	400
250	1352	2004				
	621	885				
300	1562	2319	3294			
	721	1027	1421			
350	1773	2634	3734	4940		
	821	1169	1614	2102		
400	1983	2949	4174	5526	7223	
	921	1312	1807	2353	3033	4215
450	2194	3264	4614	6112	7962	11236
	1021	1454	2000	2605	3353	4672
500	2405	3579	5054	6698	4916	6157
	1121	1596	2193	2857	2062	2564
550	2615	3894	5495	8181	5350	6704
	1221	1738	2386	3472	2245	2793
600	2826	4209	5935	8853	5785	7250
	1321	1881	2578	3758	2429	3021
650	3036	4524	7114	9525	6220	7796
	1421	2023	3070	4045	5223	3249
700	2389	3499	5431	7223	4715	5892
	1174	1623	2404	3129	2011	2487

Awnings



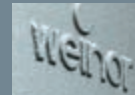
Awning



Awning with Valance Plus and Tempura



Awning with Valance Plus and Paravento



Premium quality
Made in Germany

Pergola awnings



PergoTex II and Tempura



Pergola awning Plaza Home and Paravento



Pergola awning Plaza Pro with Paravento and VertiTex

Customised, systemised solutions

Patio roof and Glasoase®



Glasoase® with conservatory awning and all-glass elements



Patio roof with SUPER LITE fixed glazing



Terrazza patio roof with Sottezza II sun protection

Patent no			
994221	1936061	2383402	EP1936105
1206609	1936062	2458107	EP2136214
1382770	2009192	2631386	EP3048213B1
1522650	2072709	3054063	EP3054063B1
1541776	2136013	EP0916781	
1564364	2199484	EP0959195	
1835089	2202376	EP1310609	

Last revised: 09/2017

The current issue can be found at www.weinor.de/fachpartner/service/downloadcenter