

The modern cassette-awning

weinor

Premium quality  
Made in Germany



# Semina Life

Semina Life LED | Semina Life Valance Plus  
Semina Life LED Valance Plus

[www.weinor.com](http://www.weinor.com)

Relax al Fresco |

**weinor**



Contents

Product highlights	4	BiConnect drive/radio control	12
Awning fabrics	7	Tempura heating system	19
Frame colours	7	Planning/measuring	20
Semina Life LED version	8	Cross-sections	24
Stable OptiNut roller	9	Installation options	26
Semina Life Valance Plus option	10	Extraction forces	30

## weinor Semina Life – AN ALL-ROUNDER!



Semina Life is the all-rounder among cassette-awnings. It impresses due to its modern, fresh design combined with weinor's technology tried and tested over many years. As it is such superb value for money the Semina Life is a real alternative to the semi-cassette. Its many technical highlights provide superb comfort and a long operating life. Whether they're young or old, modern or traditional: Semina Life is always just the right choice – in a class of its own!

# Semina Life highlights



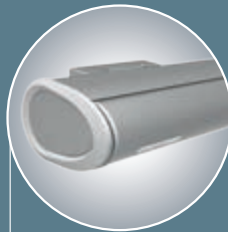
47 frame colours  
and 9 trend colours



10-year warranty on  
LongLife arm



Beautifully shaped  
headplate ring



Awning cassette



weinor LongLife arm

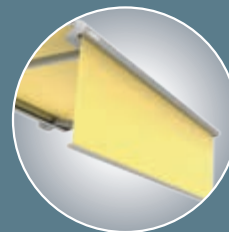
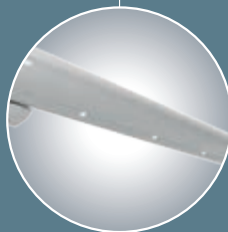


### Designs to suit every need

With integrated LED lighting  
and/or Valance Plus

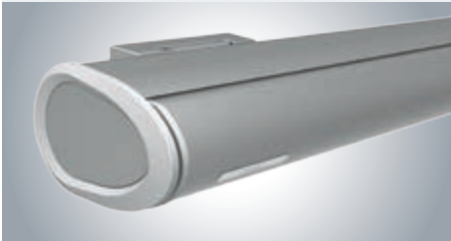


Simple  
angle of pitch adjustment



# Product benefits in detail

Modern design and sophisticated technology: the weinor Semina Life highlights



## Cassette-awning – youthful design with state-of-the-art technology

The Semina Life cassette is chic and offers protection against the weather.

- innovative closing of the awning causing practically no wear at all thanks to the cushioned infeed rollers
- beautifully shaped stainless steel look aluminium headplate rings



## weinor LongLife arm – durable, quiet operation

The LongLife arm features an exceptionally robust high-tech belt.

- tested to more than 100,000 cycles
- extremely quiet operation
- no maintenance required

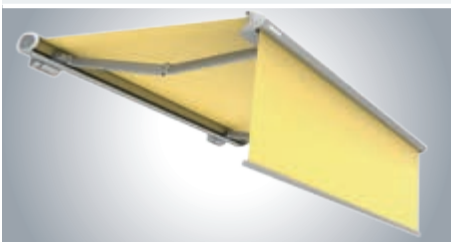
- light and highly resistant, drop-forged aluminium joint
- excellent fabric positioning
- 10-year warranty



## Semina Life LED – cassette with integrated LED lighting

The LED spotlights integrated into the cassette produce atmospheric lighting on the patio

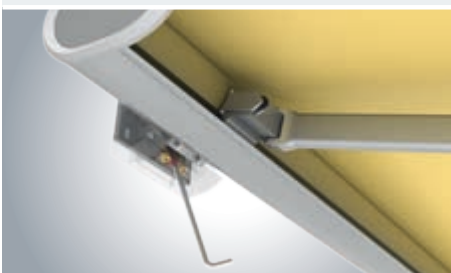
- 30,000 LED light hours with lowest energy consumption (85 % electricity saving compared to halogen technology)
- LED infinitely dimmable using weinor's BiConnect control



## Valance Plus – vertical privacy and sun protection

The Valance Plus is elegantly integrated into the awning's drop profile. It provides privacy and glare protection even with a low-lying sun.

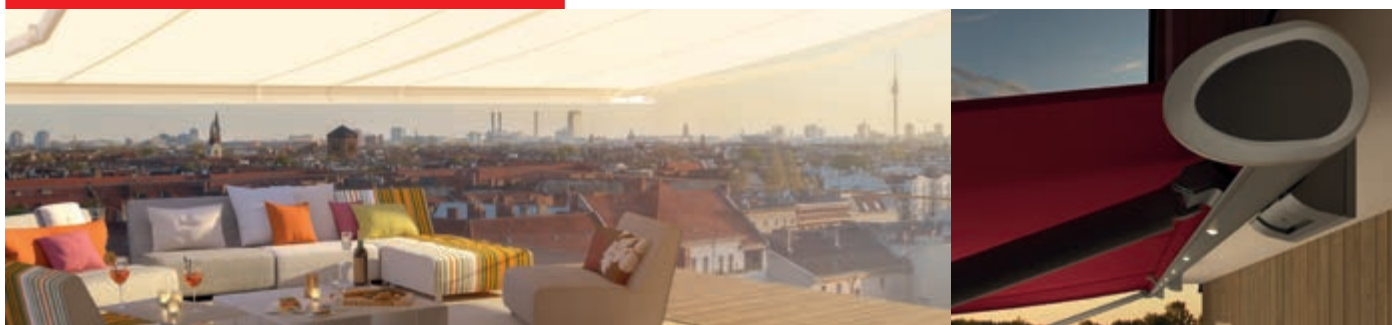
- continuously extendable up to 210 cm
- patented weinor Opti-Flow-System® to keep fabric ideally positioned and to close the drop profile safely



## Two-part bracket cover – simple angle of pitch adjustment

The lower part of the beautifully shaped cover can be easily removed. As a result there is very easy access to the screws for the angle of pitch

adjustment. The pitch in the brackets is preset at the factory for easy installation.



- standard
- optional
- unavailable

## Semina Life versions

	Semina Life	Semina Life LED
<b>Technology</b>		
Max. width	650 cm	650 cm
Max. projection	400 cm	400 cm
Cassette size (W x H) incl. standard bracket	307 mm x 194 mm	307 mm x 194 mm
Gear drive	○	—
Motor drive	● as standard	● as standard
Angle of pitch on awning	5° to 25°	5° to 25°
Installation options	Can be installed on walls, ceilings and rafters	
LED lighting (separate spotlights)	—	● integrated into the awning's cassette
<b>Valance Plus option</b>		
Max. width	600 cm	600 cm
Max. awning projection	350 cm	350 cm
Cassette size (W x H)	367 x 194 mm	367 x 194 mm
Motor drive	● as standard	● as standard
Gear drive	○	○
Valance Plus projection (height)	100 cm, 150 cm, 210 cm	100 cm, 150 cm, 210 cm
<b>Design</b>		
47 standard frame colours	●	●
Over 150 other RAL colours	○	○
9 trend colours	●	●
Other structural colours	○	○
weinor fabric collection	●	●
Valance Plus fabrics	for fabrics which can be selected for vertical sun protection, see p. 10	
<b>Accessories</b>		
Tempura heating system	○ bracket with special attachment	
<b>Controls</b>		
Radio control	see page 12 onwards	
No remote	●	●
<b>Quality</b>		
Tested up to	wind resistance class 2 according to DIN 13561 (wind strength 5 on the Beaufort scale)	



## Fabrics – attractive, brilliant long-lasting colours

For an attractive awning you need a high-quality fabric. The 'colours by weinor®' collection and the Perluca climate-control fabrics provide a wide range.

- solution-dyed to make them colour-fast
- stay beautiful thanks to dirt- and water-repellant nanocoating
- optional: wide range of collections by other manufacturers

**colours by weinor®** Fabric collections 155 patterns

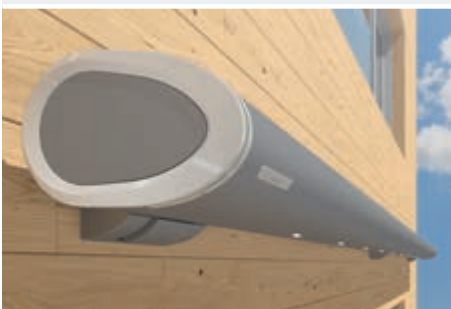
- high-quality acrylic
  - proven for decades
  - fabric width: 120 cm/240 cm
- innovative polyester quality
  - high-stretch with memory effect®
  - fabric width: 120 cm

**Perluca** Air-permeable acrylic fabrics, 5 patterns

- high-quality perforated acrylic
- translucent, breathable climate-control fabric for Valance Plus
- fabric width: 120 cm/240 cm

**Soltis®** High-tech climate-control fabrics 10 patterns

- translucent, breathable climate-control fabric for Valance Plus
- fabric width: 177 cm (Soltis® 86, 92)
- extra-wide: 267 cm (Soltis® 86, 92)



## Wide range of frame colours – abundance of choices

weinor powder coats all products in a state of the art purpose built facility. This ensures that they have the best-possible colour tonality and identical gloss levels.

- 47 standard RAL frame colours, silk gloss (gloss level  $70 \pm 5\%$  when measured at a  $60^\circ$  angle)
- 9 scratchproof, resistant trend colours with a textured look
- over 150 special RAL colours

### 47 standard frame colours

RAL 1002 Sandy yellow	RAL 1003 Signal yellow	RAL 1014 Ivory	RAL 1015 Light ivory	RAL 1023 Traffic yellow	RAL 1034 Pastel yellow	RAL 2000 Yellow orange	RAL 2002 Vermilion	RAL 2011 Deep orange
RAL 3002 Carmine red	RAL 3004 Magenta red	RAL 3007 Black red	RAL 4005 Blue lilac	RAL 4006 Traffic purple	RAL 5005 Signal blue	RAL 5009 Azure blue	RAL 5014 Pigeon blue	RAL 5021 Water blue
RAL 5022 Night blue	RAL 5024 Pastel blue	RAL 6005 Moss green	RAL 6009 Fir green	RAL 6011 Reseda green	RAL 6012 Black green	RAL 7015 Slate grey	RAL 7016 Anthracite grey	RAL 7021 Black grey
RAL 7030 Stone grey	RAL 7032 Pebble grey	RAL 7035 Light grey	RAL 7039 Quartz grey	RAL 7040 Window grey	weinor 7319 weinor grey	RAL 8001 Ochre brown	RAL 8003 Clay brown	RAL 8014 Sepia brown
RAL 8016 Mahogany brown	RAL 8017 Chocolate brown	RAL 8019 Grey brown	RAL 8022 Black brown	weinor 8077 weinor dark brown	RAL 9001 Cream	RAL 9005 Jet black	RAL 9006 White aluminium	RAL 9007 Grey aluminium
RAL 9010 Pure white	RAL 9016 Traffic white							

### 9 trend colours

WT 29/10797 Approx. RAL 9010	WT 29/50704 Approx. RAL 6009 metallic	WT 29/60740 Chestnut 04 metallic	WT 29/70786 Sparkling iron effect	WT 29/71289 Approx. RAL 7016	WT 29/80077 Approx. DB 703 metallic	WT 29/80081 Iron glimmer effect P7	WT 29/90146 Approx. RAL 9006 metallic	WT 29/90147 Approx. RAL 9007 metallic

weinor is an eco-friendly company. To ensure compliance with high environmental standards, manufacturing processes and materials undergo regular testing by experts.

As a result of the ban on the use of heavy metals in powder coatings, paint manufacturers can no longer guarantee colour stability despite making every effort to do so. It therefore cannot be excluded that colours in general, and Fire Red (RAL 3000) in particular, may fade with time. For technical reasons, the colours may appear significantly different when printed.



## LED lighting – 30,000 hours of lighting with lowest energy consumption

Select LED components for top weinor quality:

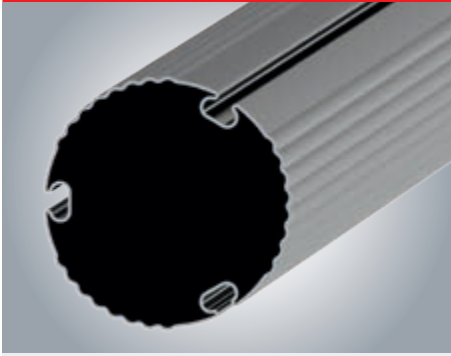
- atmospheric light thanks to special glass lenses
- visually integrated into the cassette
- lighting remains on even when awning is retracted
- highly energy-efficient
- operating life of 30,000 hours
- infinitely dimmable when used with BiConnect radio control
- easy to service: simply replace individual LED lights without dismantling the awning

Awning width	Number of separate LED spotlights
up to 150 cm	2
151-220 cm	3
221-270 cm	4
271-330 cm	5
331-380 cm	6

Awning width	Number of separate LED spotlights
381-440 cm	7
441-490 cm	8
491-550 cm	9
551-650 cm	10





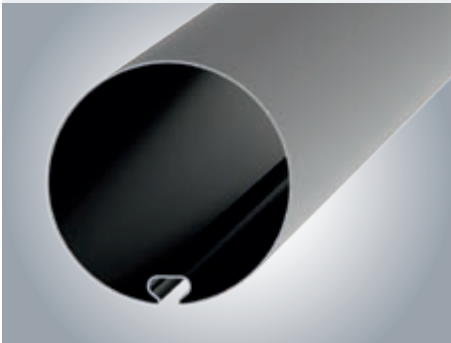


Fabric is positioned centrally as the awning operates, giving optimum performance and reducing creasing

### **weinor innovation**

weinor's new Opti grooved tube in the fabric roller turns particularly smoothly. This optimisation cuts down on creasing and ensures that the fabric looks fantastic.

- centrally positioned motor; fabric winds evenly on smooth-running roller
- regularly spaced grooves for the piped border
- fabric roller with minimised sag



### **Conventional solution**

Conventional single grooved roller tubes only hold the fabric fillet in one non-symmetrical position. This results in the motor and fabric being positioned off centre, so the roll up is uneven and slightly odd shaped.



Semina Life Valance Plus with motor

## Valance Plus – increased sun protection and privacy thanks to the innovative vertical screen (optional)

The motorised or gear-operated valance plus is elegantly integrated into the awning's front profile.

- glare protection and privacy shield up to a maximum valance height of 210 cm
- can be stopped at any position within the total depth

- use Valance Plus with an awning angle of pitch between 10° and 20°
- Valance Plus cannot be retrofitted
- with motorised valance plus option the awning must also be motorised



Semina Life Valance Plus with gear drive



Semina Life Valance Plus – with retracted Valance Plus (left) and slightly extended Valance Plus (right)



### Maximum awning size for Valance Plus

Motorised main drive				Gear main drive			
Width	600 cm	Projection	350 cm	Width	500 cm	Projection	350 cm
				Width	600 cm	Projection	300 cm

### Available fabrics for the Valance Plus

	Soltis® 86, 92	Soltis® 86, 92	Acrylic			Perluca		WeiTex polyester	
Unit width	single colour 177 cm	single colour 267 cm	striped 120 cm	single colour 120 cm	single colour 240 cm	single colour 120 cm	single colour 240 cm	striped 120 cm	single colour 120 cm
Valance length									
100 cm	S	S	L	S	S	S/L	S	L	S
150 cm	S	S	–	T	S	T	S	–	T
210 cm	T	S	–	T	S	T	S	–	T

S seamless: seamless fabric; structure of fabric runs crosswise to structure of awning fabric

T transverse seam: fabric with transverse seam; either in top or bottom third as desired; structure of fabric runs diagonally to structure of awning fabric

L longitudinal seam: structure of fabric runs longitudinally to structure of awning fabric



### Patented weinor Opti-Flow-System®

to keep fabric perfectly positioned on Valance Plus tube

The patented weinor Opti-Flow-System® ensure the front profile closes reliably, even with wider widths.

#### weinor Opti-Flow-System®\*

Here, the fabric roller rests unattached on the glide profile: the entire width of the fabric is supported and cannot sag.

The advantage:

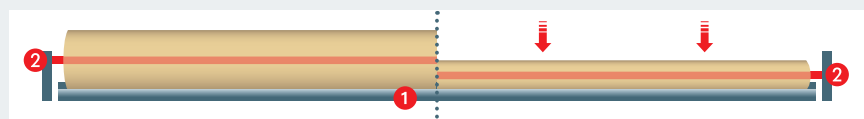
- the fabric positioning is ideal even for wide fabrics
- specially coated glide profile means the fabric enjoys long-lasting protection

#### \* Comparison with standard bearing (previous product generations)

The fabric roller bearing was not supported over the entire width as a result:

- the fabric is not ideally positioned
- dirt gathers on the fabric over time due to the central position of the support

### Advantages of the fabric roller support



**Fabric roller is unrolled:** the glide profile (1) supports the fabric roller along its entire length and thus effectively prevents sagging.

**Fabric roller is rolled up:** the fabric roller steadily rolls into its holder (2). The glide profile continues to provide support along its entire length.



BiEasy 5M\*

BiEasy 15M  
with display\*

\* hand transmitter shown here in silver,  
also available in black

## weinor BiConnect – control for awning, light, heating and Valance Plus (optional)

The awning comes as standard with one drive and can optionally be controlled with the pre-programmed BiEasy remote control. There are

silver or black hand transmitters with different numbers of channels: 1 to 5 or 15 channels with a display.

### BiConnect remote control



### BiRec Remote receiver

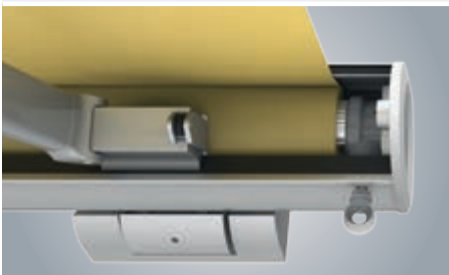
- various remote-controlled receivers depending on function combinations
- to suit awning fittings – e.g. to extend and retract the awning or dim the lights

### Exclusive retraction protection

- co-ordinated retraction: first the Valance Plus, then the awning
- to make sure nothing gets knocked over on the terrace

### weinor BiEasy hand transmitter

- operationally safe thanks to protected transmission frequency (868 MHz)
- range of up to 100 m



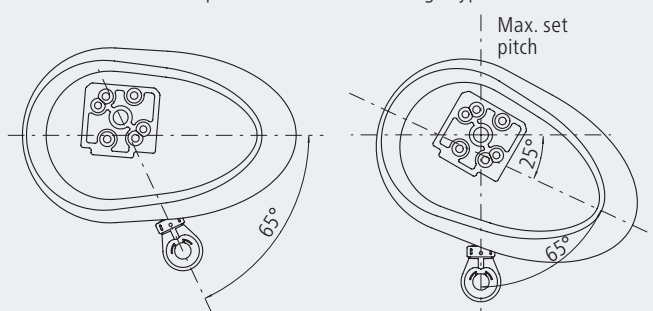
## Gear drive (optional)

The Semina Life can of course be extended and retracted using a gear handle too (with a max. projection of 350 cm). This option is recommended whenever it is hard to connect to an electrical power source on the site or if the awning is not frequently used.

The Semina Life has a universal bevel gear system.

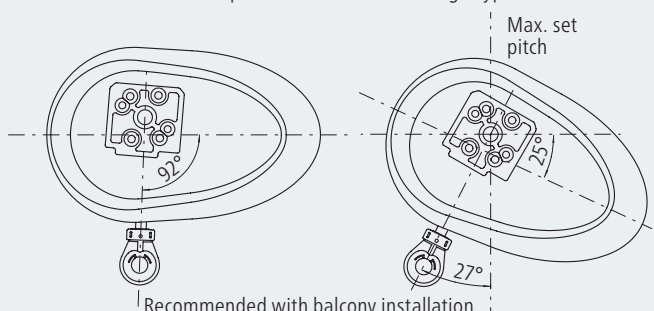
- end stop adjustable from outside
- tested according to DIN EN 14203
- freewheel device when extended

Gear drive installation options based on the awning's type of installation

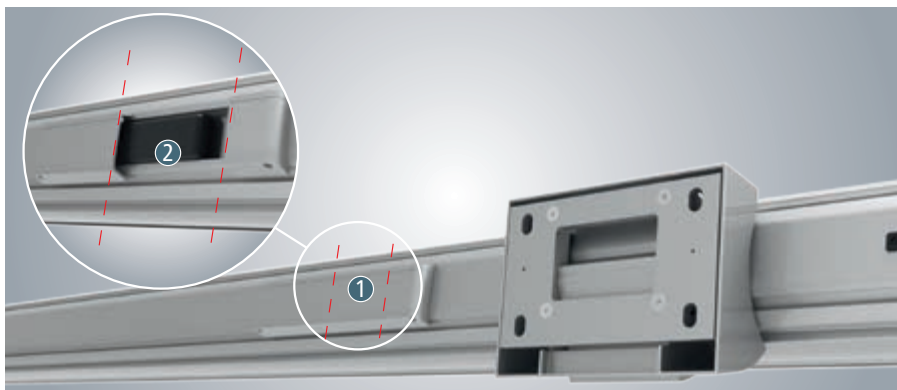


Standard gear outlet with wall mounting

Gear drive installation options based on the awning's type of installation



Gear outlet with ceiling/balcony installation



The receiver, power supply pack and other electrical components, such as the BiConnect receiver ② are integrated into the cassette. The faceplate can be easily be opened ① for servicing purposes. The receiver, which is separate from the drive, is then easily accessible.

### BiSens Agido-3V product protection sensor (optional)

The BiSens Agido-3V retracts the awning when vibrations and movement are detected.

- adjustable threshold value
- only in combination with BiConnect
- energy-saving technology
- battery life 2 years
- awning remains in place approx. 20 minutes after retraction
- fits into drop profile



**BiSens Agido-3V**  
Battery supply (2 x 1.5 V; type AAA), no cabling

### BiSens sensors (optional)

The BiConnect series remote sensors automatically extend the awning when the sun shines and reliably retract it in the wind or rain.



**BiSens SW-Solar**  
Sun and wind sensor with solar operation (not suitable for units used as privacy protection)



**BiSens SW-230 V**  
Sun, wind sensor with power connection



**BiSens SWR-230 V**  
Sun-Wind-Rain combination sensor

Product	Comes with (integrated)	Remote receiver	Hand transmitter
Semina Life	awning motor	BiRec MA	BiEasy 1M/1MW-3V
	+ Tempura heating system *	BiRec HD	BiEasy 5M/15M
Semina Life LED	awning motor		
	+ LED light	BiRec MLED	BiEasy 5M/15M
Semina Life Valance Plus	+ LED light	BiRec MLED + BiRec HD	BiEasy 5M/15M
	awning motor; Valance Plus	BiRec MVLED	BiEasy 5M/15M
Semina Life LED Valance Plus	awning motor; Valance Plus	BiRec MVLED + BiRec HD	BiEasy 5M/15M
	awning driver; Valance Plus*		
Semina Life LED Valance Plus	+ LED light	BiRec MVLED	BiEasy 5M/15M
	+ LED light	BiRec MVLED + BiRec HD	BiEasy 5M/15M

Requires: awning with BiConnect remote control, sensors require a BiEasy 1M, 5M or 15M

\* Optional



**BiRec receiver MLED**  
Integrated remote receiver for motor and LED control

Product	BiConnect
Semina Life main drive	receiver integrated into cassette
Semina Life LED	dimnable, combi-receiver for main drive and LED with integrated power supply pack in cassette.
Valance Plus option	<ul style="list-style-type: none"> <li>• no additional receiver required</li> <li>• gradual switch-off</li> <li>• retraction protection</li> </ul>
Option Tempura heating	<ul style="list-style-type: none"> <li>• receiver integrated in additional design bar</li> <li>• dimmable, additional receiver required</li> </ul>

## Somfy RTS

Alternatively, the Semina Life can also be controlled with Somfy RTS.



Telis 1  
RTS Pure

Telis 4  
RTS Pure

Telis Soliris  
RTS Pure

Telis 4 Soliris  
RTS Pure

### Somfy RTS

Since RTS works unidirectionally, no feedback is given on the status of the units. The radio control system runs on a frequency of 433.42 MHz.

Wall transmitter:



Smoove 1 RTS  
Pure Shine

Chronis RTS smart

## Somfy RTS radio control



## Somfy radio wind sensor Eolis 3D-WireFree-RTS



### Somfy radio wind sensor Eolis 3D-WireFree-RTS

Retracts awning when vibrations and movement are detected. Battery supply (2 x 1.5 V; type AAA), no wiring.

## Somfy RTS sensors



### Eolis Sensor RTS

Radio wind sensor with power connection



### Soliris Sensor RTS

Radio wind and sun sensor with power connection

Product	Comes with (integrated)	Remote receiver	Hand transmitter
Semina Life	awning motor	integrated in the remote-controlled motor	Telis 1 RTS Pure/Telis 1 Soliris RTS Pure/Smoove 1
	+ Tempura heating system*	Heating Slim Receiver RTS Plug	Telis 4 RTS Pure/Telis 4 Soliris RTS Pure
Semina Life LED	awning motor	integrated in the remote-controlled motor	
	+ LED light	Lighting Slim Receiver RTS	Telis 4 RTS Pure/Telis 4 Soliris RTS Pure
	+ LED light + Tempura heating system*	Heating Slim Receiver RTS Plug	Telis 4 RTS Pure/Telis 4 Soliris RTS Pure
Semina Life Valance Plus	awning motor; Valance Plus*	integrated in remote-controlled motor; Universal Receiver RTS Plug	Telis 4 RTS Pure/Telis 4 Soliris RTS Pure
Semina Life LED Valance Plus	awning motor; Valance Plus*	integrated in remote-controlled motor; Universal Receiver RTS Plug	Telis 4 RTS Pure/Telis 4 Soliris RTS Pure
	+ LED light	Lighting Slim Receiver RTS; Universal Receiver RTS Plug	Telis 4 RTS Pure/Telis 4 Soliris RTS Pure

\* Optional



Somfy Lighting Slim Receiver RTS (for LED)  
Remote receiver for LED control

Product	Somfy RTS
Semina Life main drive	receiver integrated into motor
Semina Life LED	<ul style="list-style-type: none"> <li>not dimmable</li> <li>additional receiver external lighting Slim receiver RTS (with downstream power supply pack)</li> <li>integration in the cassette</li> </ul>
Valance Plus option	<ul style="list-style-type: none"> <li>additional receiver external Universal Slim Receiver RTS Plug</li> <li>integration in the cassette</li> <li>no retraction protection</li> </ul>
Option Tempura heating	<ul style="list-style-type: none"> <li>receiver integrated in additional design bar</li> <li>not dimmable, additional external receiver required Heating Slim Receiver RTS Plug</li> </ul>



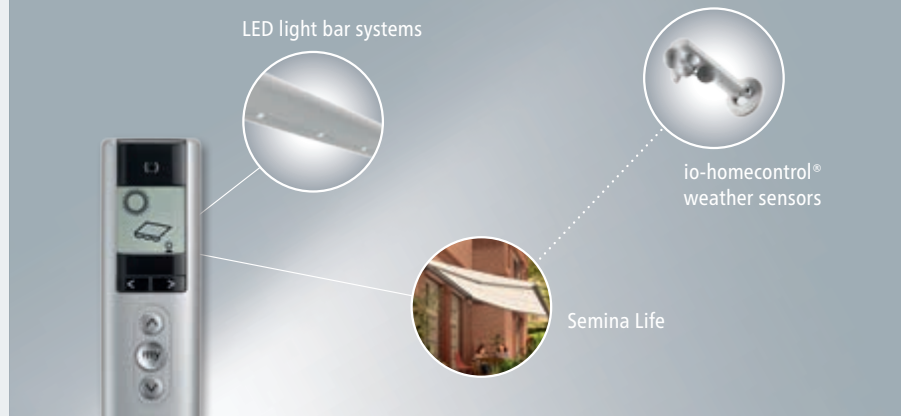
Situo Mobile io Silver Mat    Easy Sun io Silver Mat    Smoove 1 io Pure Shine

## Somfy io-homecontrol®

io-homecontrol® allows every convenience and security feature to be combined into one network and be controlled using a single remote

transmitter. The expandable system can also incorporate any new products that are added.

## Somfy io-homecontrol® sensors



## Somfy Eolis 3D-WireFree io radio wind sensor



Retracts awning when vibrations and movement are detected. Battery supply (2 x 1.5 V; type AAA), no wiring.

## Somfy io-homecontrol® sensors



**Eolis WireFree io**  
Radio wind sensor:



**Sunis WireFree io**  
Radio sun sensor

**Sensor Box io**  
Communication unit

Product	Comes with (integrated)	Remote receiver	Hand transmitter
<b>Semina Life</b>	awning motor	integrated in the remote-controlled motor	Situo Mobile io Silver Mat/Smoove 1 io Pure Shine
<b>Semina Life LED</b>	+ LED light	Lighting Receiver io	Easy Sun io Silver Mat



**Somfy io homecontrol® receiver**  
Lighting receiver on/off io

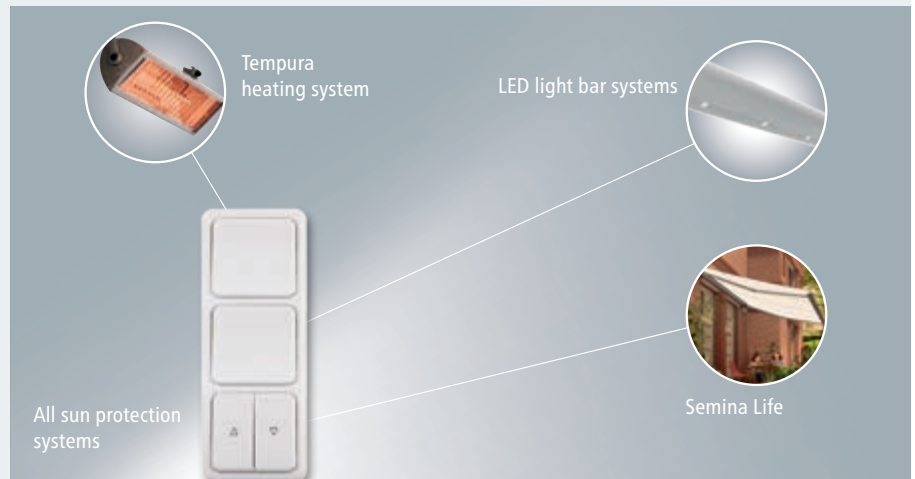
Product	Somfy io-homecontrol®
<b>Semina Life main drive</b>	receiver integrated in the io remote-controlled motor
<b>Semina Life LED</b>	<ul style="list-style-type: none"> <li>• not dimmable</li> <li>• additional external receiver required Lighting Receiver on/off io (with downstream power supply pack)</li> <li>• integration in the cassette</li> </ul>
<b>Valance Plus option</b>	unavailable
<b>Option Tempura heating</b>	unavailable





### Hard wired

A hard wired control makes sense in the case of existing power cables or sources of interference for radio control.



Product	weinor hard wired (switch/controls supplied by others)
Semina Life main drive	<ul style="list-style-type: none"> <li>• no receiver required</li> <li>• switch/control supplied by others</li> </ul>
Semina Life LED	<ul style="list-style-type: none"> <li>• not dimmable</li> <li>• with switched power supply pack (power supply pack is included in the delivery)</li> <li>• switch supplied by others</li> </ul>
Valance Plus option	<ul style="list-style-type: none"> <li>• no retraction protection</li> <li>• switch/control supplied by others</li> </ul>
Option Tempura heating	<ul style="list-style-type: none"> <li>• not dimmable</li> <li>• switch supplied by others</li> </ul>



Power supply pack for option LED

### Power supply pack for option LED (hard wired)

The power supply pack ① provides the voltage and current intensity required to operate the LED. It is only necessary for the LED option.

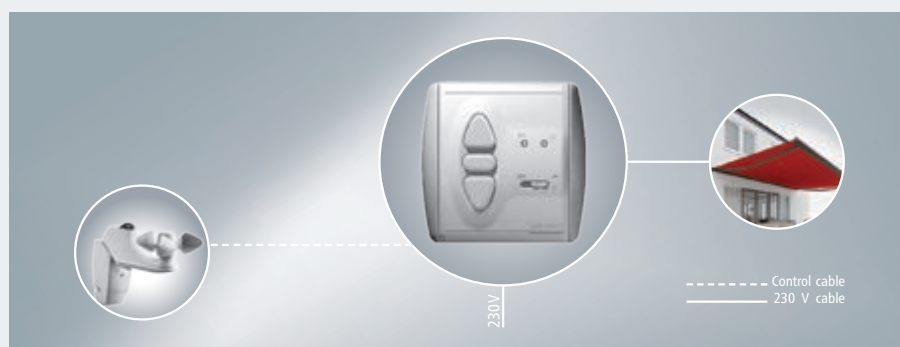
The power supply pack is integrated in the cassette. The faceplate can be easily be opened ② for servicing purposes.



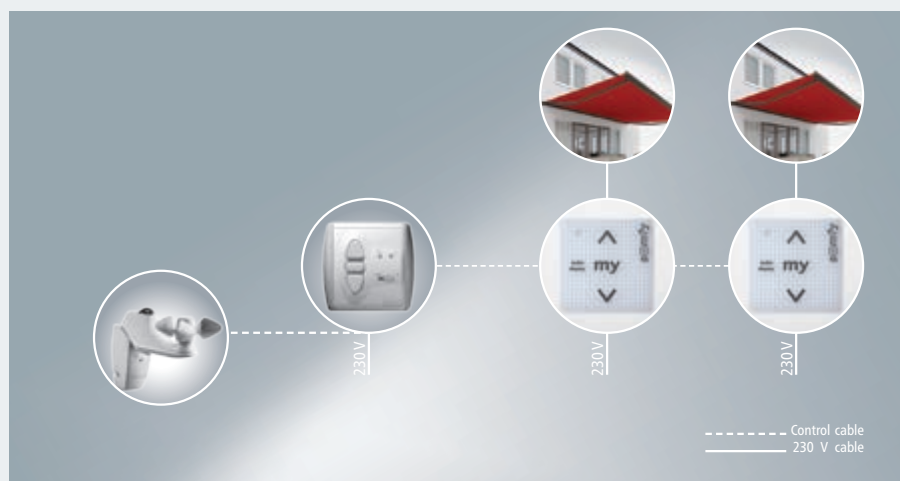
## Awning control with Somfy



For the hard wired version, a Somfy commutator and a Somfy sun and wind sensor can be included in the delivery for awning control.



How the Uno cable system works



How the IB cable system works

Product	weinor hard wired with Somfy control
Semina Life main drive	no receiver required
Semina Life LED	<ul style="list-style-type: none"> <li>not dimmable</li> <li>power supply pack integrated in the cassette</li> </ul>
Valance Plus option	<ul style="list-style-type: none"> <li>no retraction protection</li> <li>switch/controls supplied by others</li> </ul>
Option Tempura heating	<ul style="list-style-type: none"> <li>not dimmable</li> <li>switch supplied by others</li> </ul>

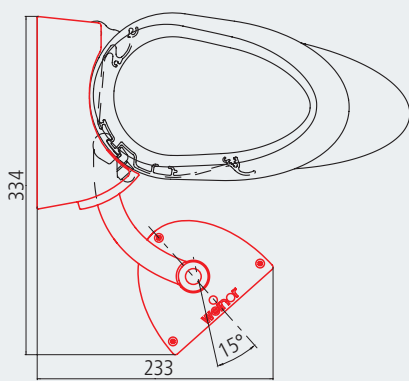
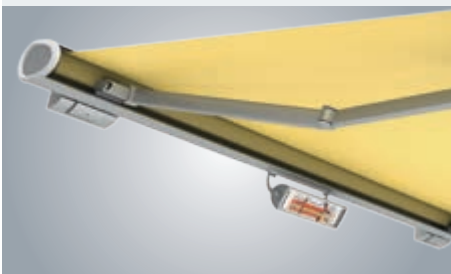


## High-performance Tempura heating system for Semina Life (optional)

Tempura, the energy-efficient infrared heating system convinces with heat output of 1,500 watt in a tiny housing.

- instant heat: no warm-up time
- turn as required for targeted warmth
- operate and dim using BiConnect radio control

- splash protection
- comes in 47 standard frame colours plus 9 scratch-proof, resistant trend colours with a smart, textured look
- optional: 150 special RAL colours
- easy to retrofit



### The perfect combination: Semina Life with Tempura heating system, Valance Plus and BiConnect\*:

- automated retraction with BiConnect: first the Valance Plus, then the awning
- as a result, the Valance Plus is protected from the material being damaged due to overheating by the Tempura heating system

### Please note:

The Tempura's angle of pitch is restricted to 15° as standard. (This restriction is to avoid the wall being heated up too much by the Tempura.) The grub screw, which restricts the angle of pitch, can be removed if the Semina Life is adjusted up to 10° at the most. Then it is possible to adjust the Tempura's angle of pitch up to 30°.

\* The heating may not be attached to awnings with Valance Plus. Unless a control is used which ensures that the awning is always extended first and then the Valance Plus and that the Valance Plus is always retracted first before the awning. In this way safety clearances are always adhered to.



## Design bar for Tempura heating system receiver

Recommendation: Protect the BiRec HD (bidirectional heating dimmer) or Somfy heating receiver Heating Slim Receiver RTS Plug in the horizontally mounted design bar.

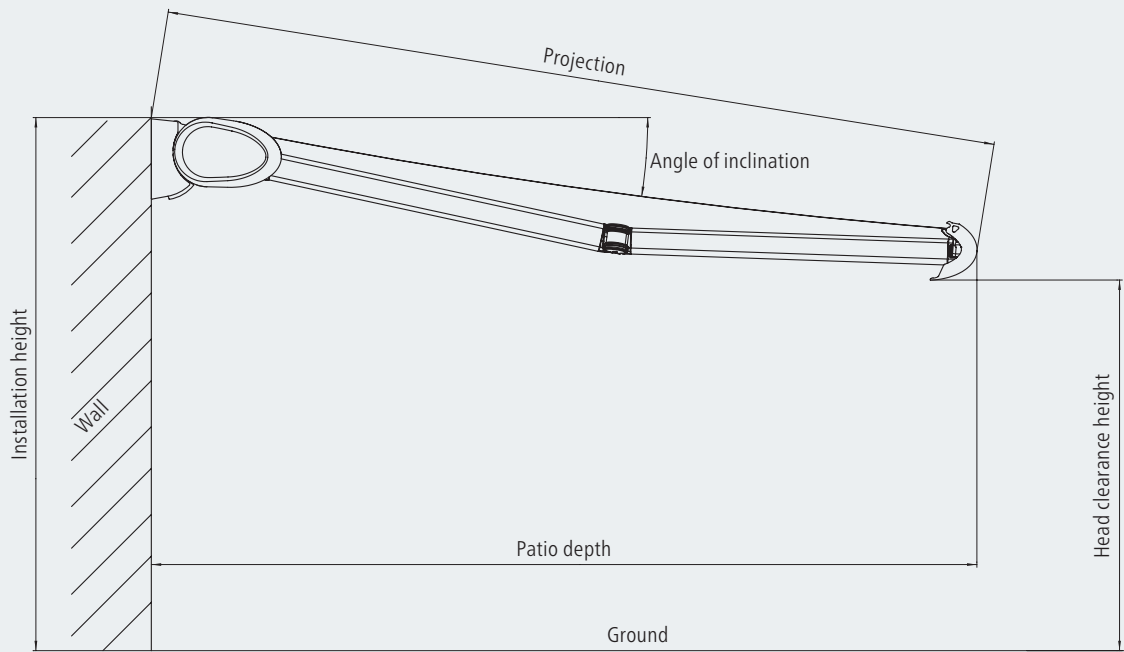


**BiRec HD**  
Remote receiver for heating control



**Heating Slim Receiver Somfy RTS Plug**  
Remote receiver for heating control

Determining the projection and head clearance height:



Determining the projection

Determining the projection and head clearance height:

1. Find the projection by looking in the "Projection" table for the terrace depth.
2. Using the projection from the table and the required angle of pitch, consult the "head clearance height" table for the head clearance height. This head clearance height refers to an installation height of 300 cm.
3. Add or subtract the difference between 300 cm and the actual installation height to/from the head clearance height in the table.

Angle of pitch	Terrace depth in cm					
	150	200	250	300	350	400
5°	151	201	251	301	351	400
15°	155	207	259	311	362	400
25°	166	221	276	331	386	400

Projection in cm (rounded figures)

This table can be used to find the awning projection for any given horizontal patio depth.

Determining the head clearance height

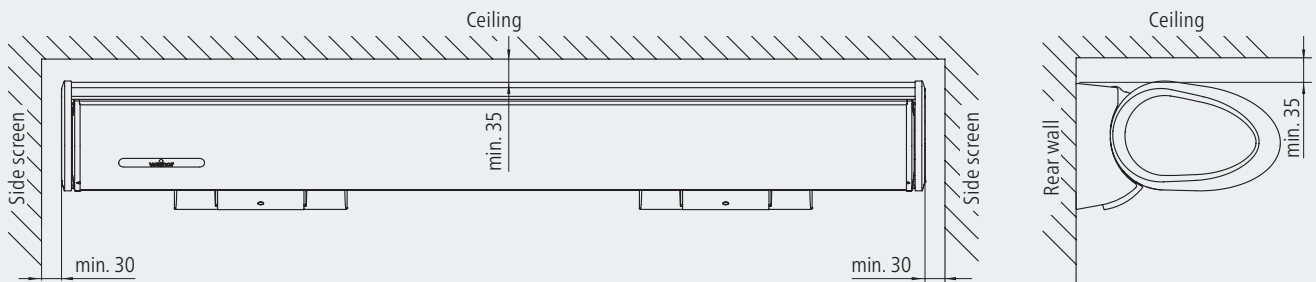
Angle of pitch	Projection in cm					
	150	200	250	300	350	400
5°	276	272	267	263	258	254
15°	250	237	224	211	198	185
25°	226	204	183	162	141	120

Head clearance height in cm (rounded figures)

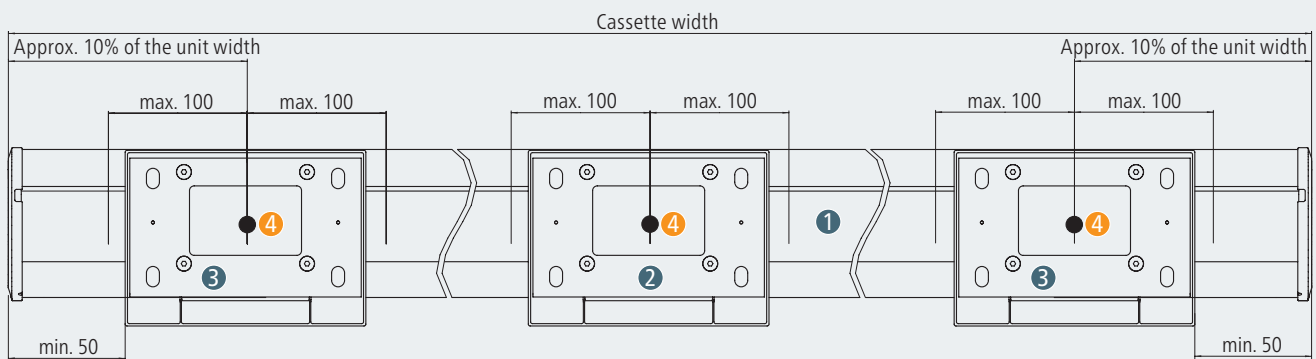
This table is used to find the head clearance heights for various projections when the angle of pitch is 5°, 15° or 25°.

This table is based on the example of an installation height of 300 cm (upper edge of awning).

## Minimum spacing distances for installation



## Position of wall brackets and Semina Life cassette



- ① Semina Life cassette
- ② Centre bracket
- ③ Wall bracket
- ④ Marking points



Wall mounting on C20/25 concrete with up to 200 mm facing, wind resistance class 2 and a permissible centric tensile load of 5.71 kN for anchor bolts

## Sizes and bracket recommendations

Width in cm	Number of arms	Projection in cm (irregular figures possible)					
		150	200	250	300	350	400
187 – 200	2	●					
201 – 250	2	●	●				
251 – 300	2	●	●	●			
301 – 350	2	●	●	●	●		
351 – 400	2	●	●	●	●	●	
401 – 450	2	●	●	●	●	●	●
451 – 500	2	●	●	●	●	●	●
501 – 550	2	●	●	●	●	●	●
551 – 600	2	▲	▲	▲	▲	▲	▲
601 – 650	2	▲	▲	▲	▲	▲	▲

- 2 Semina Life standard wall brackets 250 mm
- 2 Semina Life wall brackets 430 mm
- ▲ 2 Semina Life standard wall brackets 250 mm and a centre bracket 250 mm
- ▲ 2 Semina Life wall brackets 430 mm and 1 standard centre bracket 250 mm

## Size limits (width) Semina Life for 250 wall bracket without Agido

Width in cm	Projection in cm												
	150	160	170	180	190	200	210	220	230	240	250	260	
200													
201 – 210		202	–	–	–	–							
211 – 220			212	–	–	–							
221 – 230				222	–	–							
231 – 240					232	–							
241 – 250						242							
251 – 260							252	–	–	–	–		
261 – 270								262	–	–	–		
271 – 280									272	–	–		
281 – 290										282	–		
291 – 300											292		
301 – 310													302
311 – 320													
321 – 330													
331 – 340													
341 – 350													
351 – 360													
361 – 370													
371 – 380													
381 – 390													
391 – 400													
401 – 410													
411 – 420													
421 – 430													
431 – 449													
441 – 450													
451 – 649													
650													

- Possible
- Limiting size (width)
- Not possible
- Not possible

Deduction dimension  $X^* = 42$  cm  
 \* Min. width = projection + deduction dimension X

### Explanation

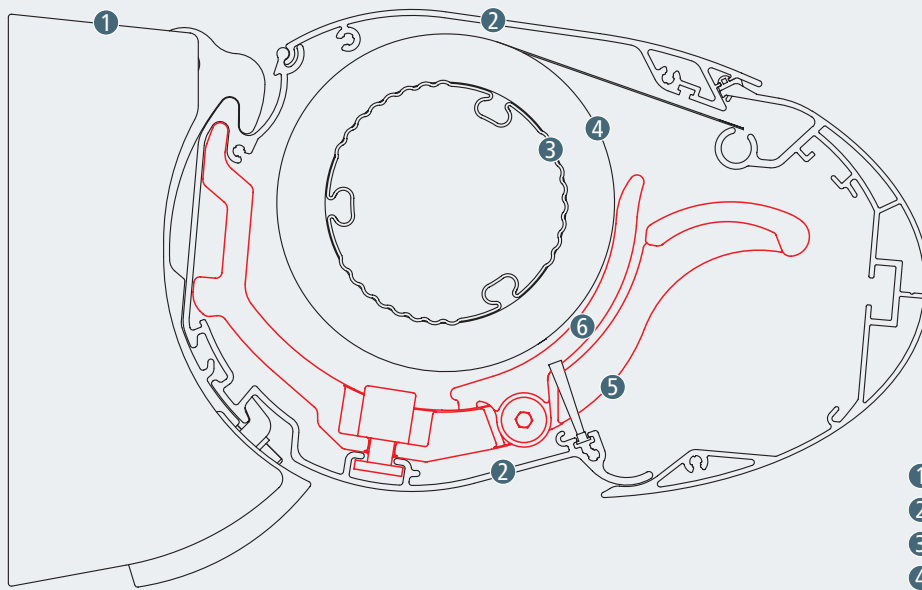
Possible: 202 cm width of awning and 160 cm projection  
 Not possible: 201 cm width of awning and 160 cm projection

- The limiting widths shown refer to Semina Life with 250 brackets without BiConnect Agido.
- When using the BiConnect Agido the required width is increased by 14 cm.
- When using 430 brackets the required width increases by 18 cm.
- The combination of BiConnect Agido and 430 brackets increases the required width of awning by 32 cm.
- Dimension limits do not apply to Semina Life LED. Our customer centre staff will be happy to check these on request.

Caution! With awnings with dimensions within the limiting size range it is not permissible to slide the brackets by the standard  $\pm 100$  mm. The permissible sliding range is indicated on the confirmation of the order.



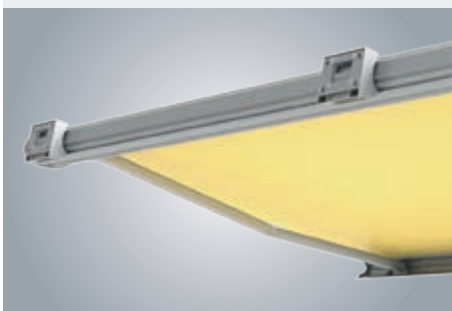
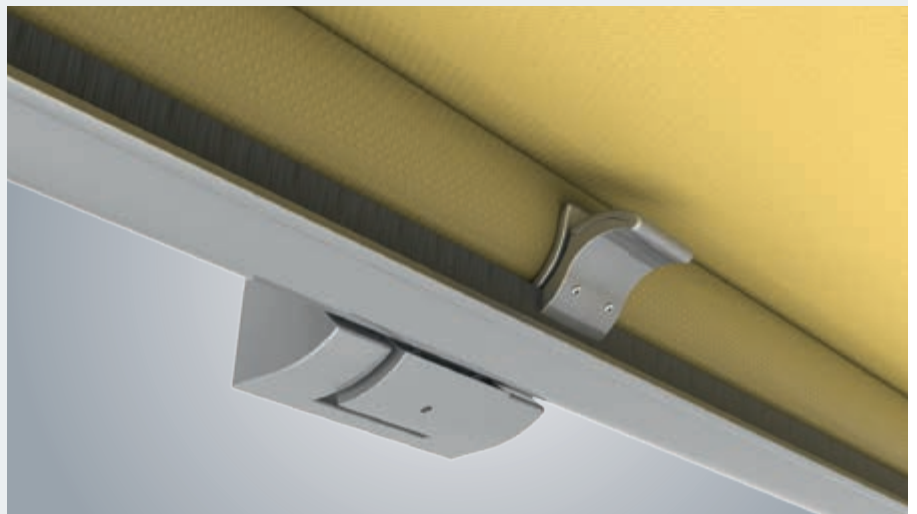
## Semina Life with centre bracket (cross-section)



- ① Centre bracket (wall bracket)
- ② Cassette
- ③ Fabric roller bearing
- ④ Fabric roll
- ⑤ Roller support
- ⑥ Sliding support bearing

Semina Life: wall mounting with centre bracket and roller support (sectional view)

- From a width of 551 cm or more, a roller support ⑤ and centre bracket ① is used in the middle.
- The sliding support bearing ⑥ is preassembled and can be adjusted to the size of the fabric roll ④ accordingly.
- Support of load against the wall or roof by means of simple screw fastening.



Semina Life centre bracket: wall mounting (rear view)



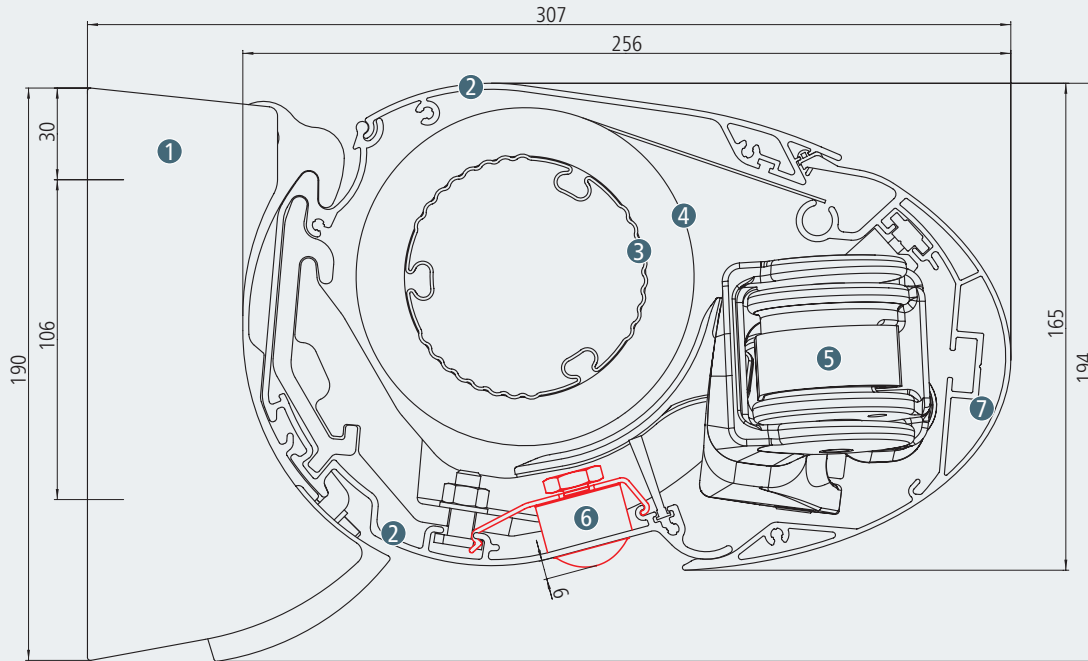
Semina Life centre bracket: roof mounting (rear view)



Semina Life centre bracket: rafter mounting with rafter bracket (rear view)

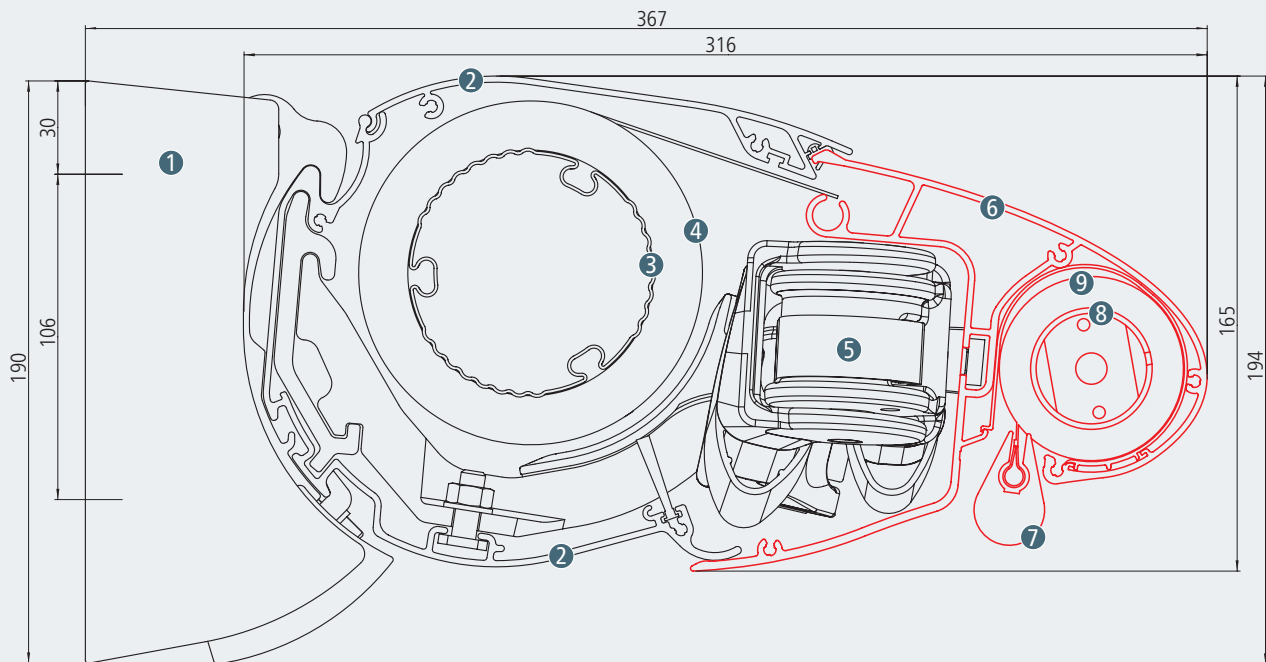


Semina Life LED (cross-section)



- ① Wall bracket
- ② Cassette
- ③ Fabric roller bearing
- ④ Fabric rolls
- ⑤ Spring-tensioned arm
- ⑥ LED spotlight
- ⑦ Semina Life drop profile

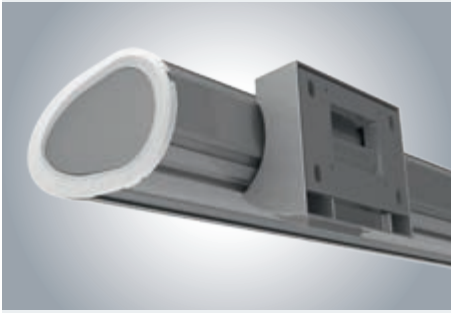
Semina Life Valance Plus (cross-section)



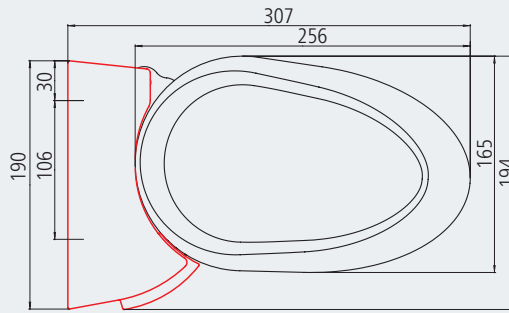
- ① Wall bracket
- ② Cassette
- ③ Fabric roller bearing
- ④ Fabric roll
- ⑤ Spring-tensioned arm
- ⑥ Valance Plus
- ⑦ Valance Plus drop profile
- ⑧ Valance Plus fabric roller bearing
- ⑨ Valance Plus fabric rolls

Installation on walls, ceilings or rafters – suitable for various building conditions

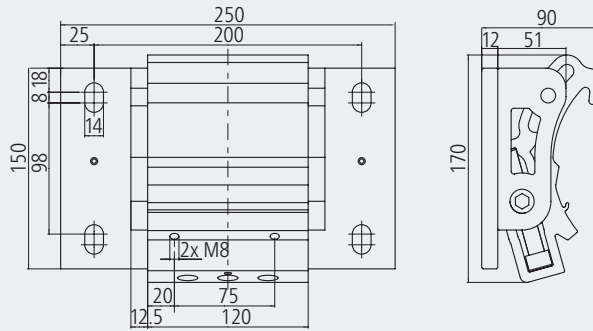
## Wall mounting



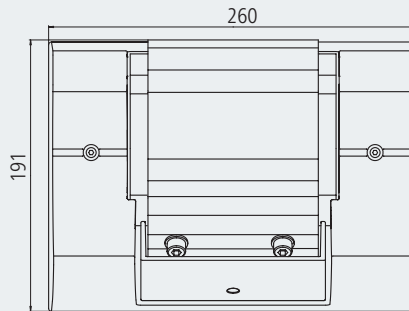
Wall bracket (with cover)



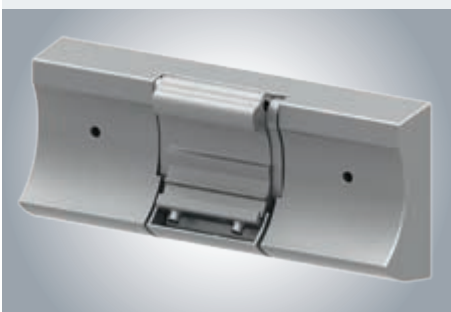
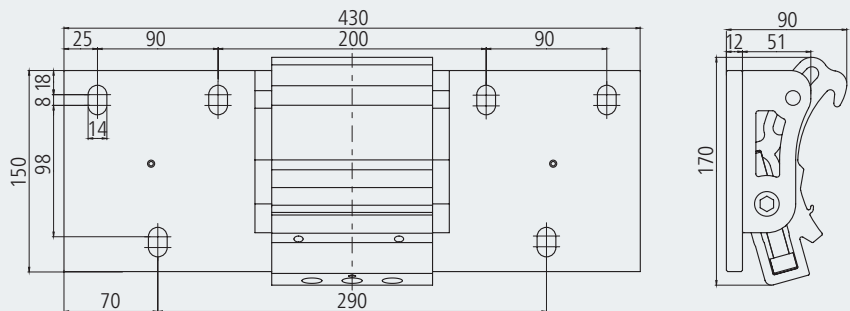
Wall bracket (without cover) 250 mm



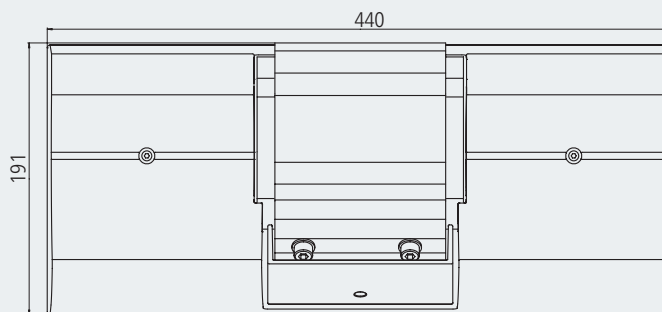
Wall bracket (with cover)



Wall bracket (without cover) 430 mm



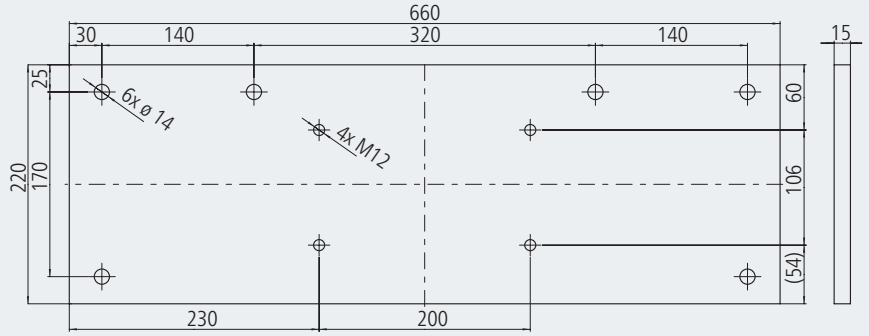
Wall bracket (with cover)



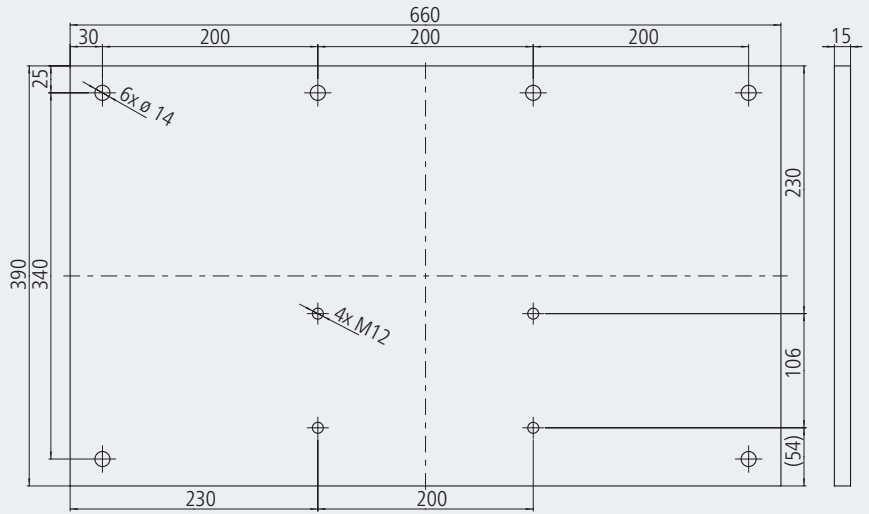
# Mounting plates for wall mounting



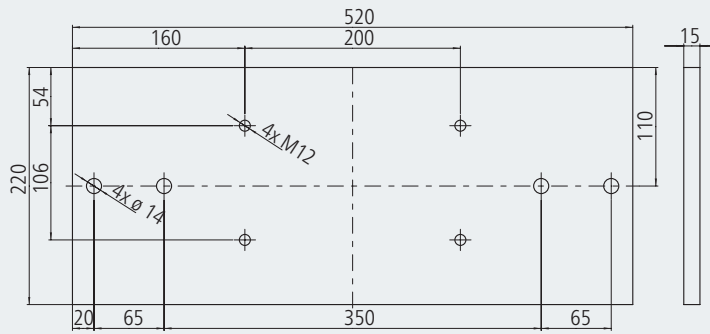
Mounting plate for wall mounting  
660 x 220 x 15 mm



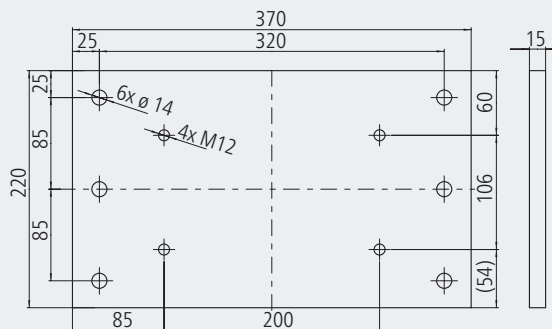
Mounting plate for wall mounting  
660 x 390 x 15 mm



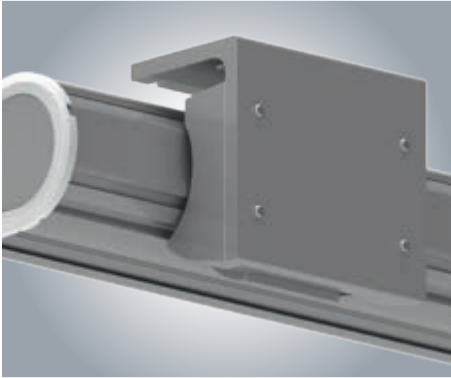
Roof front plate for wall mounting  
520 x 220 x 15 mm



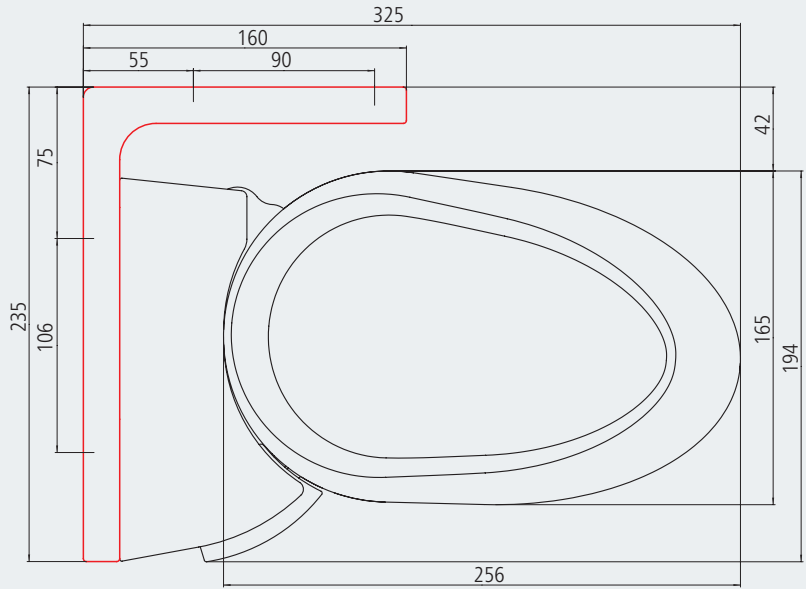
Mounting plate for centre bracket  
370 x 220 x 15 mm



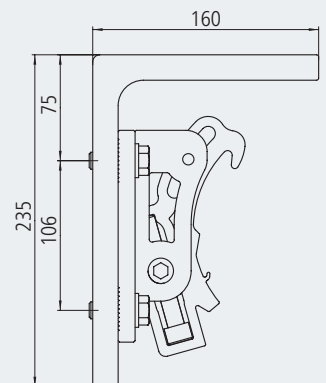
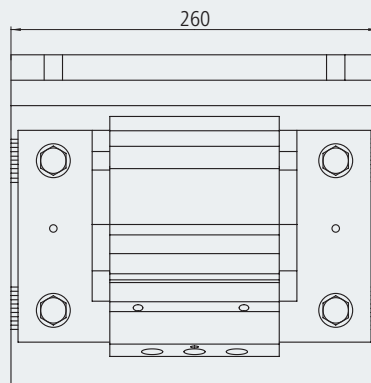
## Ceiling mounting



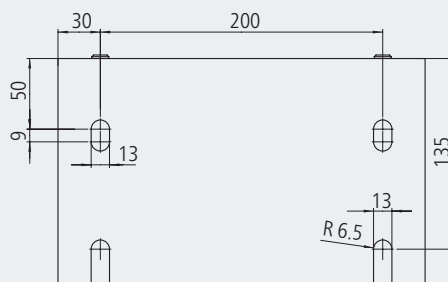
Ceiling bracket



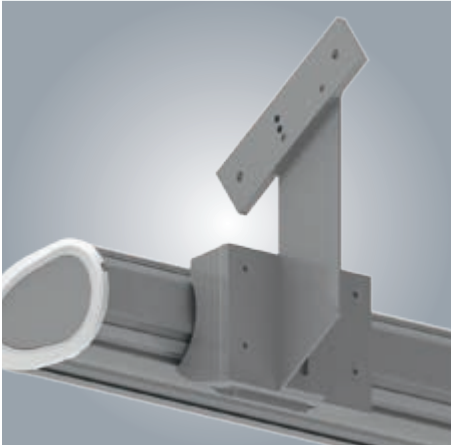
Ceiling bracket (without cover)



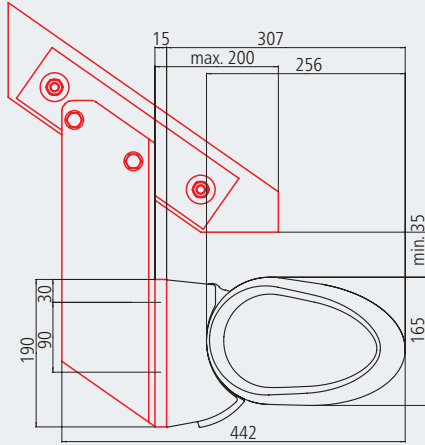
Ceiling bracket (with cover)



# Rafter mounting



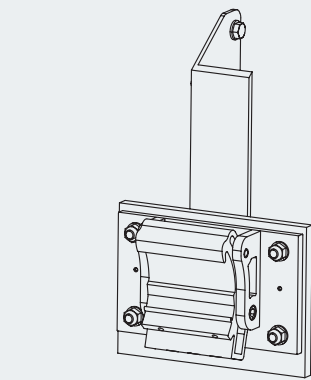
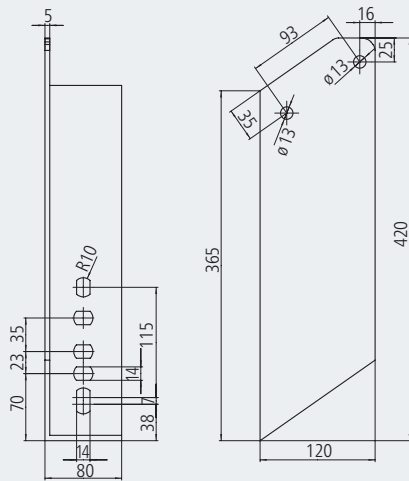
Rafter bracket



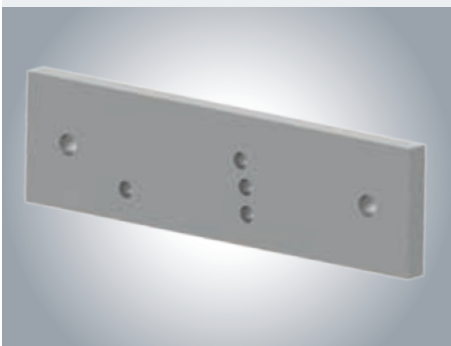
Rafter bracket with mounting plate and wall bracket with cover



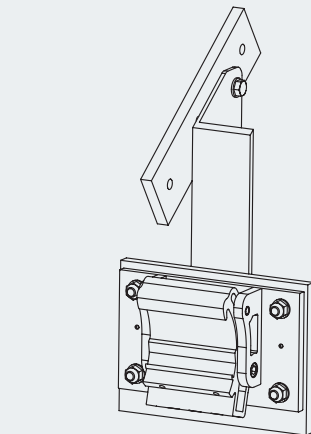
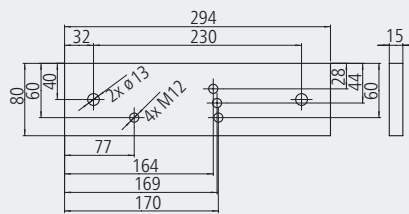
Rafter bracket (right)



Rafter bracket without mounting plate for rafters (right).



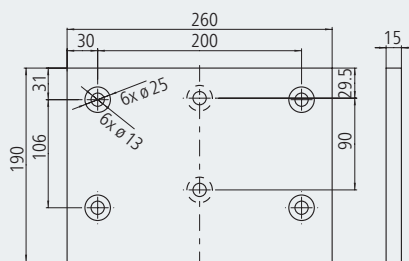
Mounting plate for rafter bracket  
294 x 80 x 15 mm



Rafter bracket with mounting plate for rafters (right). weinor recommends using mounting plates for rafter brackets.



Adaptor plate for rafter bracket  
260 x 190 x 15 mm



## Semina Life/LED extraction forces

**Wall mounting on C20/25 concrete with up to 200 mm of facing, extraction force in N per upper fixing for wall bracket**

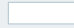
The extraction force is the force with which the weight of the awning and the wind load pull on each upper fixing. The tables indicate this force in N per upper fixing. It varies depending on the awning size and the wall bracket / mounting plate used.

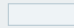
### Selecting the wall bracket and anchoring system:

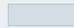
1. Consult relevant table for extraction force per fixing for selected awning size.


2. Select a wall bracket/mounting plate for which there is fixing material which can resist the indicated extraction force. Remember to take into account the spacing, the area which will be damaged if the fixing breaks out, the type of fixing material used and the mounting base.

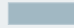
See separate bracket overview for other bases.

 1 standard wall bracket (250 mm), per awning arm,  
1 centre bracket (250 mm) with width of 551 cm or more  
Number of fixing materials:  
without a centre bracket 8\* in total  
with a centre bracket 12\* in total

 1 standard wall bracket (430 mm), per awning arm,  
1 centre bracket (250 mm) with width of 551 cm or more  
Number of fixing materials:  
without a centre bracket 12\* in total  
with a centre bracket 16\* in total

 Mounting plate (660 x 220 x 15 mm) incl. 1 standard wall bracket (250 mm), per awning arm  
1 mounting plate for centre bracket incl. 1 centre bracket (250 mm) with width of 551 cm or more  
Number of fixing materials:  
without a centre bracket 12\* in total  
with a centre bracket 16\* in total

 Mounting plate (660 x 390 x 15 mm) incl. 1 standard wall bracket (250 mm), per awning arm  
1 mounting plate for centre bracket incl. 1 centre bracket (250 mm) with width of 551 cm or more  
Number of fixing materials:  
without a centre bracket 12\* in total  
with a centre bracket 16\* in total

 1 roof front mounting plate incl. 1 standard wall bracket (250 mm), per awning arm  
1 mounting plate for centre bracket incl. 1 centre bracket (250 mm) with width of 551 cm or more  
Number of fixing materials:  
without a centre bracket 8\* in total  
with a centre bracket 10\* in total

Width in cm	Projection in cm					
	150	200	250	300	350	400
200	564					
	282					
	178					
	89					
	378					
250	668	998				
	334	499				
	211	314				
	105	157				
	448	668				
300	771	1153	1637			
	386	576	819			
	243	363	515			
	122	181	257			
	517	771	1094			
350	875	1308	1853	2512		
	438	654	926	1256		
	276	412	582	789		
	138	206	291	394		
	587	875	1238	1676		
400	979	1463	2068	2797	3556	
	490	731	1034	1398	1778	
	309	461	650	878	1116	
	154	230	325	439	558	
	656	979	1382	1866	2371	
450	1083	1618	2283	3082	3920	5584
	541	809	1142	1541	1960	2792
	342	509	718	968	1230	1751
	171	255	359	484	615	876
	726	1083	1526	2057	2614	3722
500	1187	1773	2499	3367	4283	6108
	593	887	1249	1683	2142	3054
	374	558	786	1057	1344	1916
	187	279	393	529	672	958
	796	1186	1669	2247	2856	4070
550	1291	1928	2714	3652	4647	6631
	645	964	1357	1826	2324	3316
	407	607	853	1147	1458	2080
	204	304	427	573	729	1040
	865	1290	1813	2437	3099	4419
600	1394	2083	2930	3937	5011	7155
	697	1042	1465	1968	2505	3578
	440	656	921	1236	1572	2244
	220	328	461	618	786	1122
	935	1394	1957	2627	3341	4768
650	1498	2238	3145	4221	5374	7679
	749	1119	1573	2111	2687	3839
	473	705	989	1326	1686	2408
	236	352	494	663	843	1204
	1005	1498	2101	2817	3583	5117

\* number of fixings required on site

## Semina Life/LED extraction forces

### Ceiling installation (on C20/25 concrete)

Extraction forces in N for ceiling mounting

- 1 ceiling angle incl.  
1 standard wall bracket (250 mm),  
per awning arm,  
1 ceiling angle incl. 1 centre bracket  
with width of 551 cm or more  
Number of fixing materials:  
without a centre bracket 8\* in total  
with a centre bracket 12\* in total

Width in cm	Projection in cm					
	150	200	250	300	350	400
200	506					
250	590	850				
300	674	973	1357			
350	757	1097	1529	2055		
400	841	1221	1701	2283	2897	
450	924	1345	1873	2511	3189	4513
500	1008	1469	2045	2739	3480	4932
550	1091	1593	2217	2967	3772	5350
600	1199	1742	2414	3219	4088	5794
650	1283	1865	2586	3447	4379	6212

### Rafter mounting

Shear forces in N for rafter mounting

- 1 rafter bracket incl. 1 standard wall  
bracket (250 mm) per awning, one  
left, one right for each,  
1 rafter bracket incl. 1 centre bracket  
(250 mm) with width of 551 cm or  
more
- 1 rafter bracket incl. 1 mounting plate  
incl. 1 standard wall bracket  
(250 mm) per awning, one left, one  
right for each,  
1 rafter bracket with 1 mounting plate  
incl. 1 centre bracket (250 mm) with  
width of 551 cm or more

Width in cm	Projection in cm					
	150	200	250	300	350	400
200	1417					
	693					
250	1660	2394				
	802	1099				
300	1903	2752	3832			
	911	1254	1691			
350	2146	3109	4324	5798		
	1020	1410	1901	2497		
400	2389	3466	4816	6446	8152	
	1130	1565	2111	2770	3460	
450	2632	3824	5309	7094	8976	12694
	1239	1721	2321	3043	3804	5307
500	2876	4181	5801	7742	9801	13876
	1348	1876	2531	3316	4148	5796
550	3119	4538	6293	8390	10625	15058
	1458	2031	2741	3589	4493	6285
600	3404	4937	6827	9079	11491	16281
	1609	2229	2993	3903	4879	6816
650	3647	5294	7319	9727	12316	17463
	1718	23784	3203	4176	5223	7304

\* number of fixings required on site

Awnings



Awning



Awning with Valance Plus and Tempura



Awning with Valance Plus and Paravento



Premium quality  
Made in Germany

Pergola awnings



Pergola awning  
PergoTex II  
and Tempura



Pergola awning  
Plaza Home  
and Paravento



Pergola awning  
Plaza Pro with Paravento  
and VertiTex

# Customised, systemised solutions

Patio roof and Glasoase®



Glasoase® with  
conservatory awning and  
all-glass elements



Patio roof with  
SUPER LITE fixed glazing



Terrazza patio roof with  
Sottezza II sun protection

Patent no			
994221	1936061	2383402	EP1936105
1206609	1936062	2458107	EP2136214
1382770	2009192	2631386	EP3048213B1
1522650	2072709	3054063	EP3054063B1
1541776	2136013	EP0916781	
1564364	2199484	EP0959195	
1835089	2202376	EP1310609	

Last revised: 08/2017

The current issue can be found at [www.weinor.de/fachpartner/service/downloadcenter](http://www.weinor.de/fachpartner/service/downloadcenter)