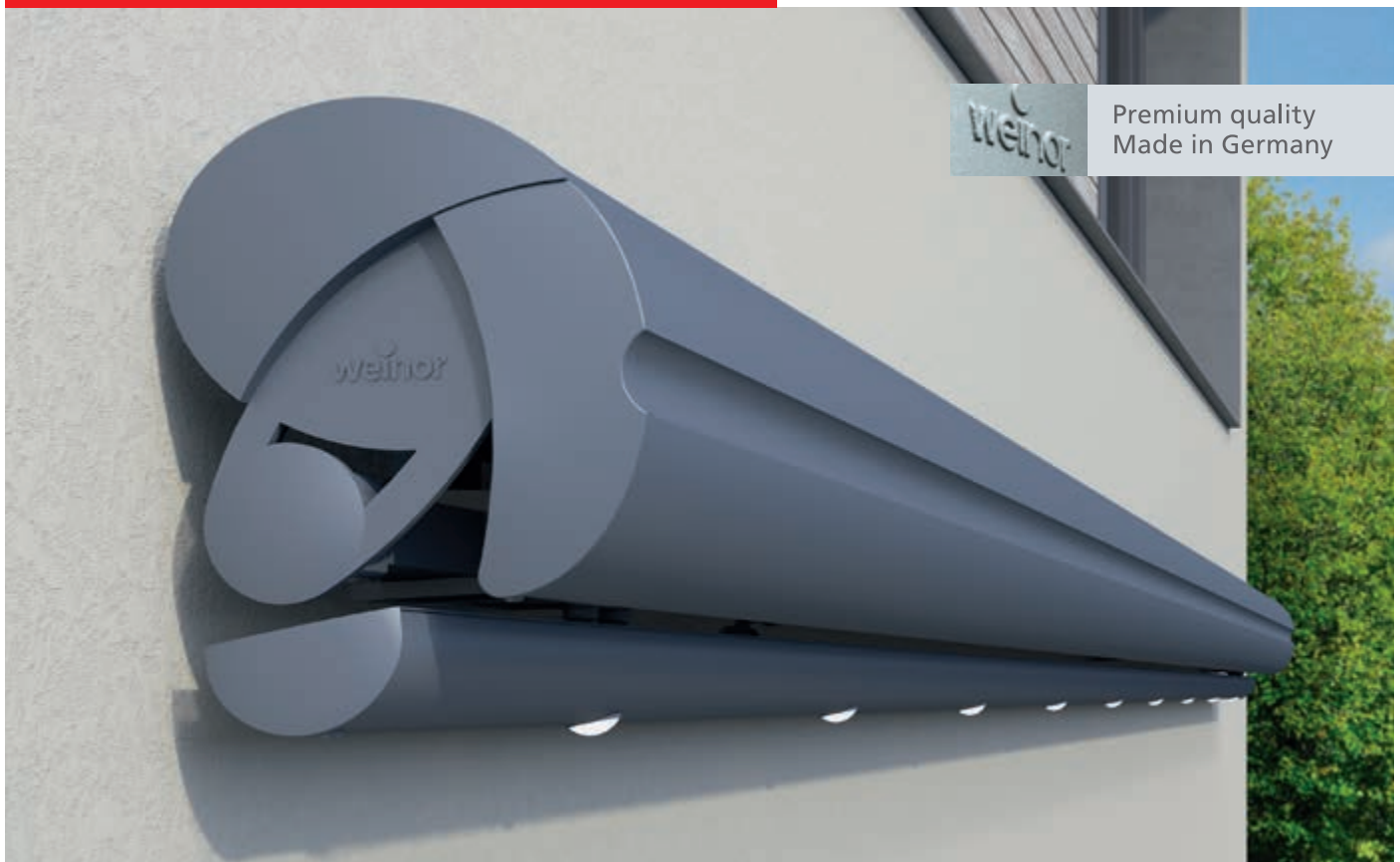


The youthful semi-cassette awning



weinor

Premium quality
Made in Germany



Semina

www.weinor.com

Relax al Fresco |

weinor

Contents

Product highlights	4	Automatic weather control and accessories	11
Awning fabrics	9	Planning/measuring	12
Frame colours	9	Cross-sections	13
BiConnect remote control	10	Installation options	14
Crank drive	10	Rawlplug extraction forces	18

weinor Semina –
youthful design meets proven technology



The Semina combines fresh, youthful design with proven technology and reliable quality. The semi-cassette provides safe protection of the fabric and arm technology therefore offering a longer service life. The functionality, aesthetics and operation of the Semina have been systematically optimised to the very last detail – the result is a consistently intelligent solution made by weinor.

weinor Semina highlights



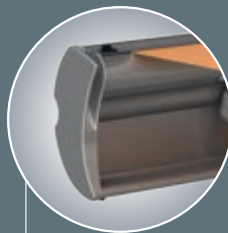
47 frame colours
and 9 trend colours



10-year warranty on
LongLife arm



Compact semi-cassette

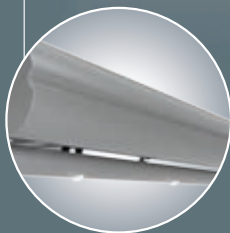


Integrated rain gutter



weinor
LongLife arm

Optional LED Design
light bar p. 10



Wind lock safety device



Product benefits in detail

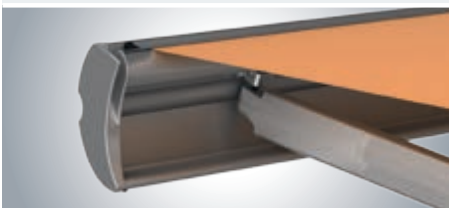
Every detail has been well thought out: the weinor Semina highlights



The compact semi-cassette – great on price, functionality and design

Uncomplicated and good – the compact semi-cassette on the weinor Semina reliably protects the fabric and technology.

- easy assembly
- compact cassette size
- outstanding quality



Integrated rain gutter – reliably drains off rainwater

The integrated rain gutter systematically drains off rainwater.

- protects the fabric and fittings

- reliably drains off any rainwater via the end caps on the front rail when retracted
- minimum angle of 14° even when open



weinor LongLife Arm – durable, quiet operation

The LongLife arm features an exceptionally robust high-tech belt.

- tested to more than 100,000 cycles
- extremely quiet operation

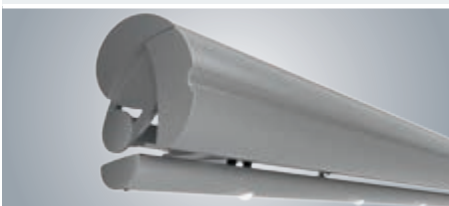
- no maintenance required
- drop-forged aluminium in joint – light but highly robust



Wind lock safety device – well-sheltered even in winds

The ultramodern technology prevents the awning from lifting up when wind gusts from below.

- tilting arm member with patented wind lock safety device
- proven, maintenance-free technology
- forged and extruded aluminium components



LED Design light bar – 30,000 hours of lighting require minimal energy consumption (optional)

Select LED components for top weinor quality:

- atmospheric light thanks to special glass lenses
- particularly energy efficient

- lifetime of 30,000 hours
- BiConnect for wireless dimming
- installs using an adjustable bracket fitted to the carrier bar
- change LEDs



- standard
- optional
- unavailable

weinor Semina at a glance

Semina	
Technology	
Max. width	700 cm
Max. projection	350 cm
Cassette size (W x H)	190 x 204 mm
Coupled systems	—
Crank drive	○
Motor drive	● as standard
Adjusting the pitch	5° to 40°
Installation options	can be installed on walls, ceilings and rafters
Design	
47 standard frame colours	●
Over 150 other RAL colours	○
9 trend colours	●
Other textured colours	○
weinor fabric collection	●
Valance (20 cm)	●
Accessories	
Tempura heating system	○
LED Design light bar	○
Controls	
Remote control	○ see p. 9
No remote	●
BiEasy handheld transmitter	○
BiConnect BiSens SW-Solar sun and wind sensor	○
BiConnect BiSens SW-230 V sun and wind sensor	○
BiConnect BiSens SWR-230 V sun, wind and rain sensor	○
Quality	
Tested up to	wind Force 5 on the Beaufort scale and wind resistance class 2 according to DIN 13561







Fabrics – attractive, brilliant long-lasting colours

For an attractive awning you need a high-quality fabric. The 'colours by weinor®' collections provide a wide selection.

- solution-dyed to make them colour-fast
- stay beautiful thanks to dirt- and water-repellant nano-coating
- optional: wide range of collections by other manufacturers



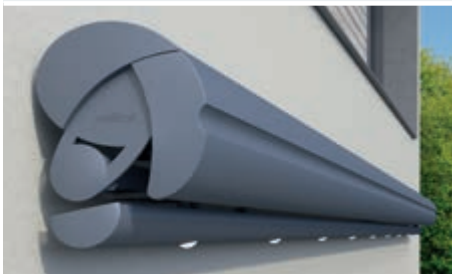
Acrylic fabrics
100 patterns



Polyester fabrics
55 patterns

- high-quality acrylic
- proven for decades
- fabric width: 120 cm/240 cm

- innovative polyester quality
- high-stretch with memory effect®
- fabric width: 120 cm



Wide range of frame colours – abundance of choices

weinor coats all of its products in its own workshop. This ensures that they have the best-possible colour tonality and identical gloss levels.

- 47 standard RAL frame colours, silk gloss (gloss level $70 \pm 5\%$ when measured at a 60° angle)
- 9 scratchproof, resistant trend colours with a textured look
- over 150 special RAL colours

47 standard frame colours

RAL 1002 Sandy yellow	RAL 1003 Signal yellow	RAL 1014 Ivory	RAL 1015 Light ivory	RAL 1023 Traffic yellow	RAL 1034 Pastel yellow	RAL 2000 Yellow orange	RAL 2002 Vermilion	RAL 2011 Deep orange
RAL 3002 Carmine red	RAL 3004 Magenta red	RAL 3007 Black red	RAL 4005 Blue lilac	RAL 4006 Traffic purple	RAL 5005 Signal blue	RAL 5009 Azure blue	RAL 5014 Pigeon blue	RAL 5021 Water blue
RAL 5022 Night blue	RAL 5024 Pastel blue	RAL 6005 Moss green	RAL 6009 Fir green	RAL 6011 Reseda green	RAL 6012 Black green	RAL 7015 Slate grey	RAL 7016 Anthracite grey	RAL 7021 Black grey
RAL 7030 Stone grey	RAL 7032 Pebble grey	RAL 7035 Light grey	RAL 7039 Quartz grey	RAL 7040 Window grey	weinor 7319 weinor grey	RAL 8001 Ochre brown	RAL 8003 Clay brown	RAL 8014 Sepia brown
RAL 8016 Mahogany brown	RAL 8017 Chocolate brown	RAL 8019 Grey brown	RAL 8022 Black brown	weinor 8077 weinor dark brown	RAL 9001 Cream	RAL 9005 Jet black	RAL 9006 White aluminium	RAL 9007 Grey aluminium
RAL 9010 Pure white	RAL 9016 Traffic white							

9 trend colours

WT 29/10797 Approx. RAL 9010	WT 29/50704 Approx. RAL 6009 metallic	WT 29/60740 Chestnut 04 metallic	WT 29/70786 Sparkling iron effect	WT 29/71289 Approx. RAL 7016	WT 29/80077 Approx. DB 703 metallic	WT 29/80081 Iron glimmer effect P7	WT 29/90146 Approx. RAL 9006 metallic	WT 29/90147 Approx. RAL 9007 metallic

weinor is an eco-friendly company. To ensure compliance with high environmental standards, manufacturing processes and materials undergo regular testing by experts.

As a result of the ban on the use of heavy metals in powder coatings, paint manufacturers can no longer guarantee colour stability despite making every effort to do so. It therefore cannot be excluded that colours in general, and Fire Red (RAL 3000) in particular, may fade with time. For technical reasons, the colours may appear significantly different when printed.



BiEasy 5M

BiEasy 15M with display

weinor BiConnect – coordinated control for awning, light and heating (optional)

The awning comes as a standard with one motor and can optionally be supplied either with a remote controlled motor or a remote receiver BiRec MA. So it can be controlled

with the pre-programmed BiEasy remote control. There are handheld transmitters with different numbers of channels: choose from 1,5 or 15 channels with a display.



weinor BiEasy handheld transmitter

- safe to operate on protected frequency (868 MHz)
- range of up to 100 m

BiRec remote-controlled receiver

- various remote-controlled receivers depending on functions used
- to suit awning fittings – e.g. to extend and retract the awning or dim the lights

Product	Comes with (integrated)	Remote receiver	Handheld transmitter
Semina	awning motor	integrated in the remote-controlled motor	BiEasy 1M/5M/15M
	+ Tempura heating system*	BiRec HD	BiEasy 5M/15M
	+ LED Design light bar*	BiRec LED	BiEasy 5M/15M
	+ Tempura heating system* + LED Design light bar*	BiRec LED + BiRec HD	BiEasy 5M/15M

Requires: awning with BiConnect remote control; sensors require at least a BiEasy 1M, 5M or 15M
* option

Product	BiConnect	Somfy RTS	Somfy io
Semina	<input type="radio"/>	<input type="radio"/>	<input type="radio"/>
Semina + LED Design light bar	<input type="radio"/> dimmer function	<input type="radio"/> not dimmable	<input type="radio"/> not dimmable

option



Semina with crank drive – the basic version

Sometimes, a crank-operated awning is a possible alternative: with smaller awnings, for example, or rarely-used units, or where connecting to a power source is a complicated solution.

The cost of an awning without a motor as standard is correspondingly lower.

- sprag clutch with easy-to-set end stop
- no power source required
- inconspicuous components



Product protection sensor BiSens Agido-3V

The awning retracts when the wind protection sensor BiSens Agido-3V is activated by suitable wind levels.

- threshold value adjustable
- only sold with BiConnect
- energy-saving technology
- battery life 2 years
- awning remains in place approx. 20 minutes after retraction
- fitted into front rail



BiSens SWR-230 V

Sun, wind and rain sensors – automatically protect your product and prevent excess heat (optional)

The BiConnect series remote sensors automatically extend the awning when the sun shines and reliably retract it in the wind or rain.

Available types:

- BiSens SWR-230 V sun, wind and rain sensor
- BiSens SW-230 V sun and wind sensor
- also solar-run: BiSens SW-Solar



LED Design light bar – 30,000 hours of lighting require minimal energy consumption (optional)

Select LED components for top weinor quality:

- atmospheric light thanks to special glass lenses
- particularly energy efficient
- lifetime of 30,000 hours
- BiConnect for wireless dimming
- installs using an adjustable bracket fitted to the support pipe
- change LEDs



Tempura Universal heating system, high-performance level (optional)

The energy-efficient Tempura infrared heating system has an impressive heating capacity of 1,500 watt in a tiny housing.

- instant heat: no warm-up time
- turn as required for targeted warmth
- operate and dim using BiConnect remote control
- splash protection
- comes in 47 standard frame colours plus 9 scratchproof, resistant trend colours with a smart, textured look
- option: 150 special RAL colours
- universal bracket makes it easy to retrofit
- TÜV tested



Determining the diagonal and clearance height:

1. Find the diagonal by looking in the 'diagonal' table for the patio depth.
2. Using the diagonal from the table and the required pitch, consult the 'clearance height' table for the clearance height. This clearance height refers to a mounting height of 300 cm.
3. Add/subtract the difference between 300 cm and the actual mounting height to/from the clearance height in the table.

Determining the diagonal

This table can be used to find the awning diagonal for any given horizontal patio depth.

Pitch	Patio depth in cm					
	150	200	250	300	350	400
5°	150	200	250	300	350	400
15°	150	210	260	310	360	410
25°	160	220	270	330	390	440

Diagonal in cm (rounded figures)

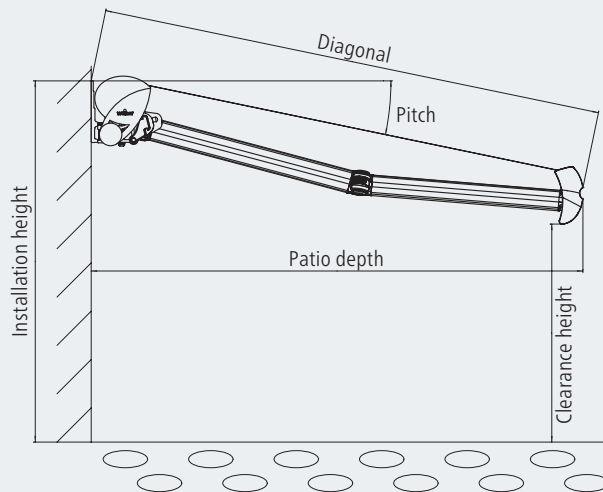
Determining the clearance height

This table is used to find the clearance heights for various diagonals when the tilt angle is 5°, 15° or 25°.

This table is based on the example of an installation height of 300 cm (upper edge of awning).

Pitch	Diagonal in cm					
	150	200	250	300	350	400
5°	270	270	260	260	250	250
15°	240	230	220	210	200	180
25°	220	200	180	160	140	110

Clearance height in cm (rounded figures)



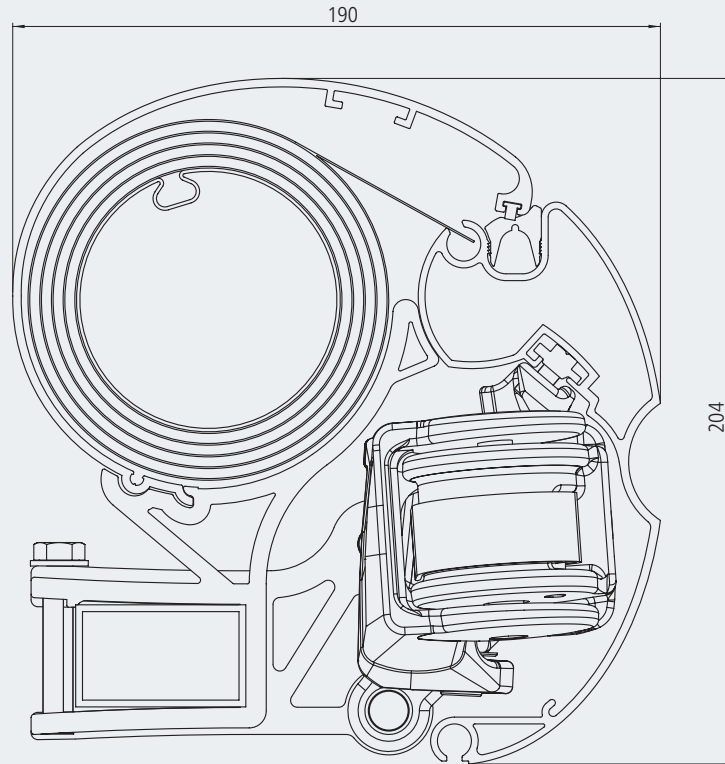
Wall mounting on C20/25 concrete with up to 200 mm facing, wind resistance class 2 and a permissible centric tensile load of 5.71 kN for anchor bolts

Sizes and bracket recommendations

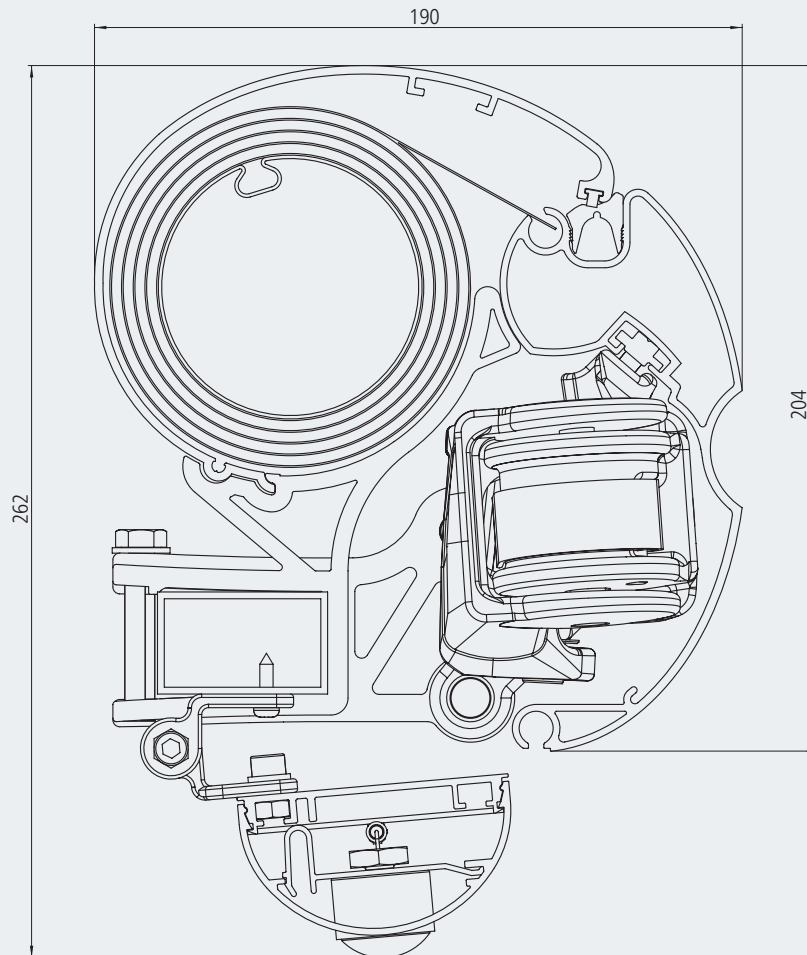
Width in cm	Number of arms	Diagonal in cm (irregular figures possible)				
		150	200	250	300	350
195 – 200	2	2				
201 – 250	2	2	2			
251 – 300	2	2	2	2		
301 – 350	2	2	2	2	2	
351 – 400	2	2	2	2	2	2
401 – 450	2	3	3	3	3	5
451 – 500	2	3	3	3	3	5
501 – 550	2	3	3	3	3	5
551 – 600	2	3	3	3	5	5
601 – 650	2	5	5	5	5	5
651 – 700	3	7	7	7	7	7

Standard wall brackets (85 mm)

Cross-section of Semina



Cross-section of Semina with LED Design light bar

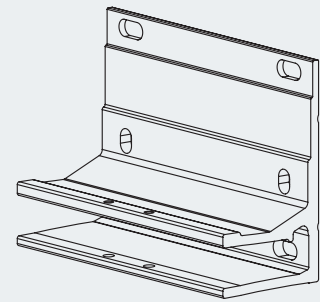
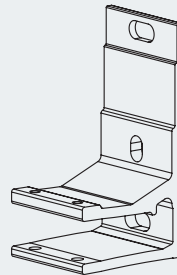
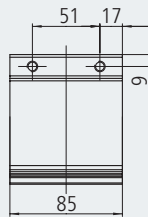
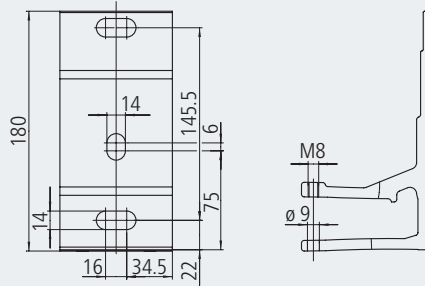


Wall, ceiling or rafter installation – suitable for various building conditions

The tried-and-tested carrier bar construction makes for uncomplicated and flexible installation: simply align and screw down the brackets, then slide the awning onto the carrier bar

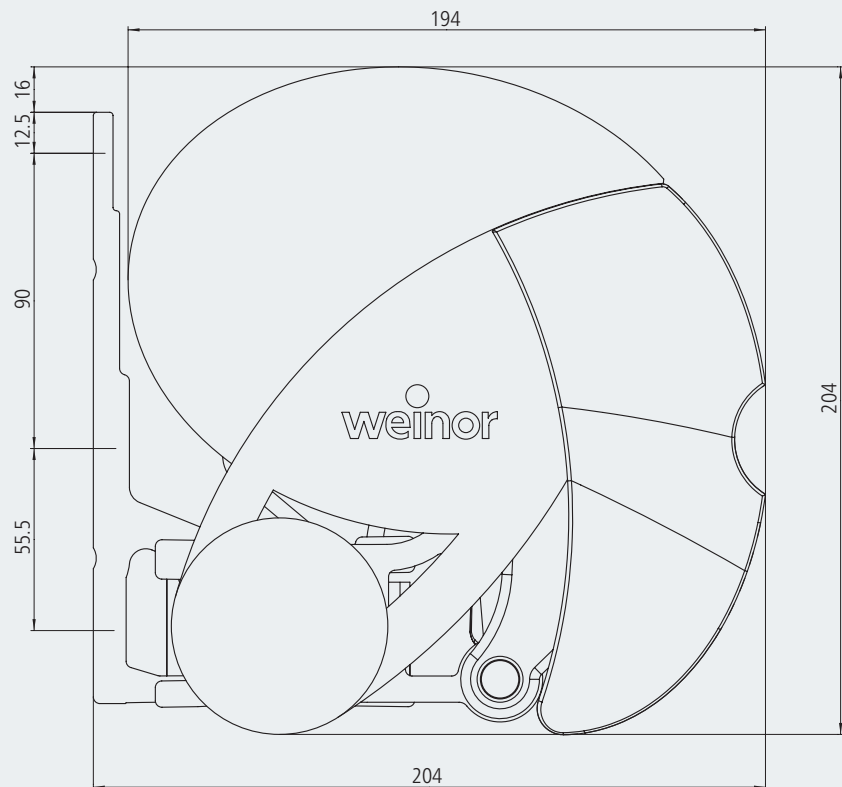
in the brackets and secure in place. Done! The brackets and mounting plates are made of extruded, powder-coated aluminium.

Wall installation



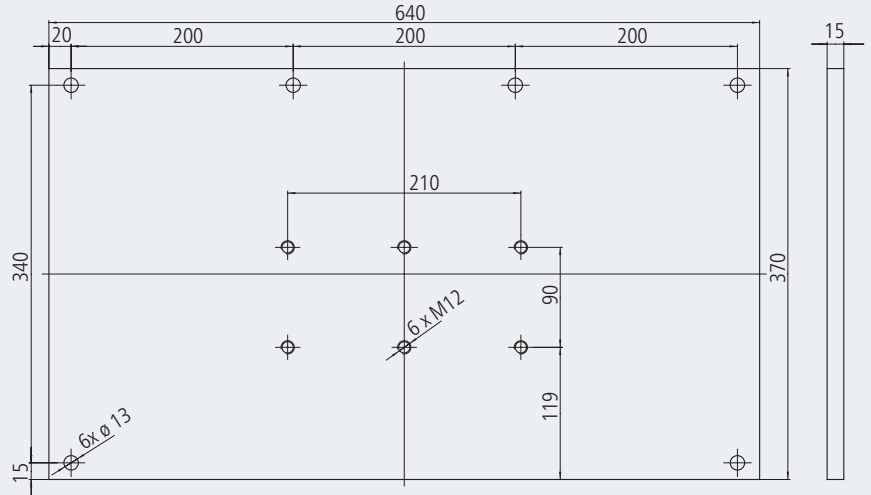
Wall bracket, 85 mm

Wall bracket, 260 mm

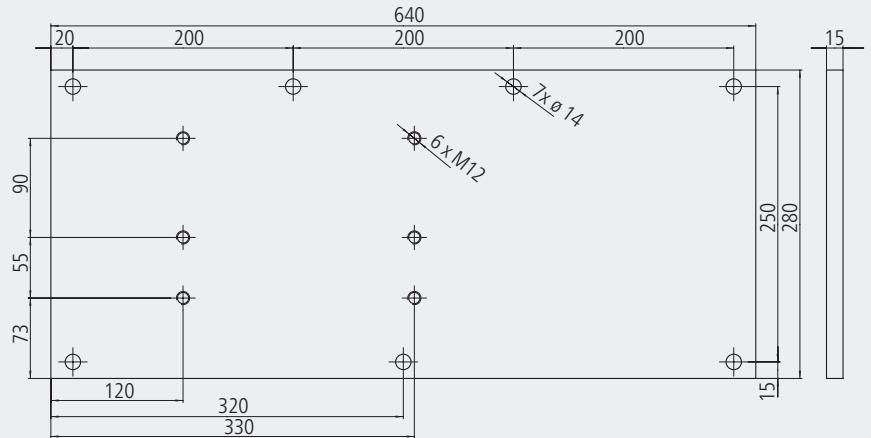


Side view with 85 mm wall bracket

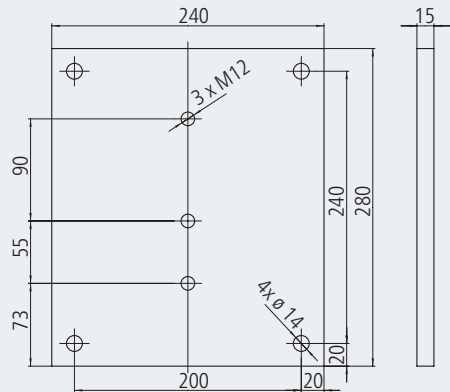
Mounting plate, 640 x 370 x 15 mm



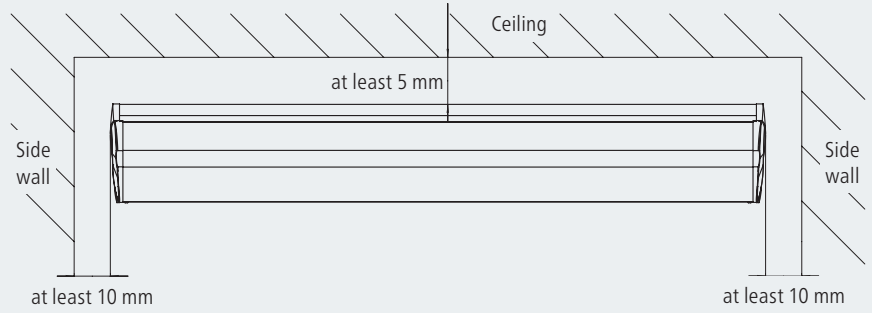
Mounting plate, 640 x 280 x 15 mm



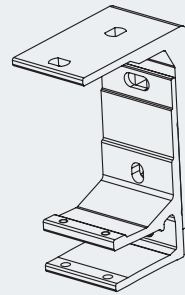
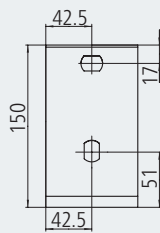
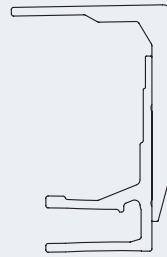
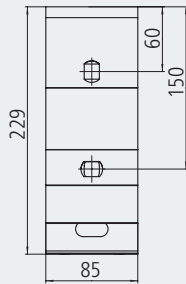
Mounting plate, 240 x 280 x 15 mm



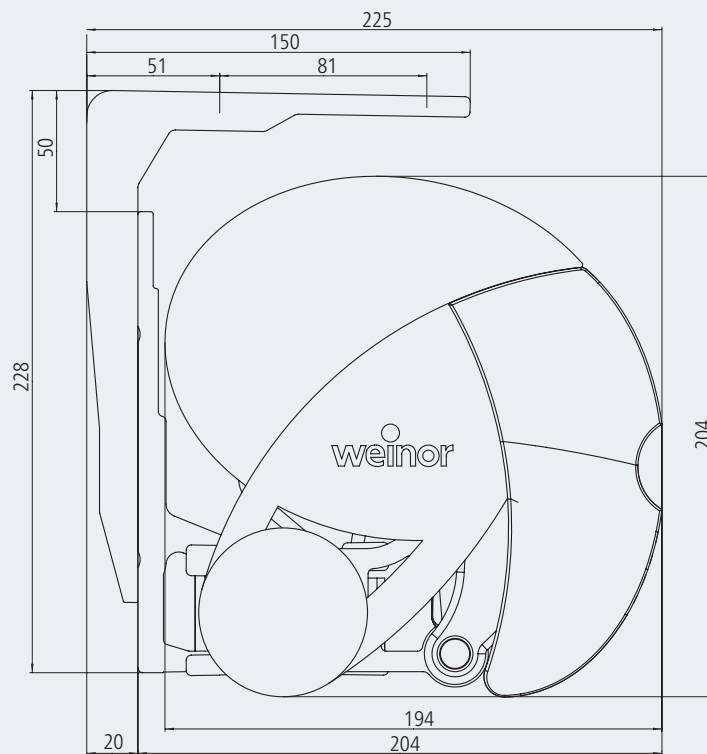
Minimum spacing distances for installation



Ceiling installation

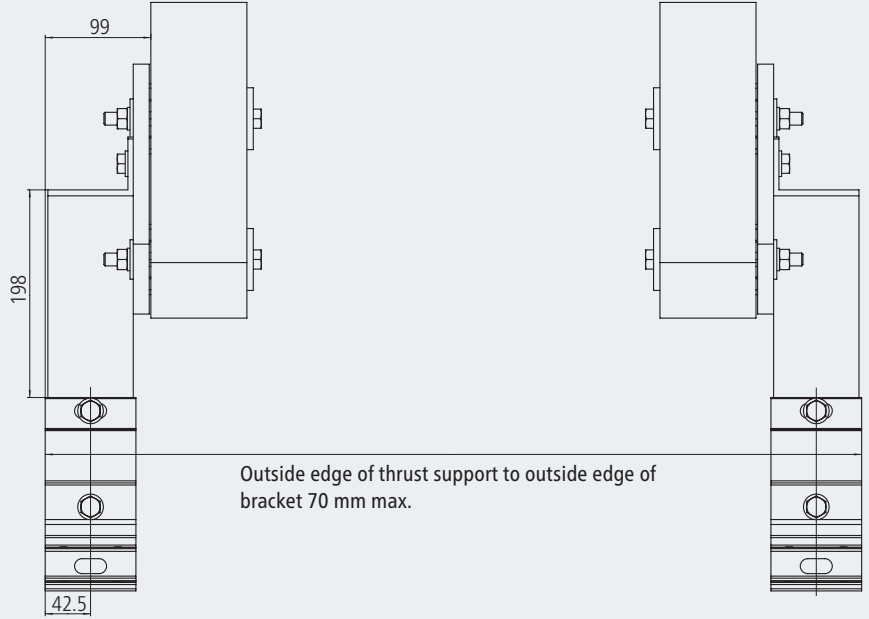


Ceiling bracket

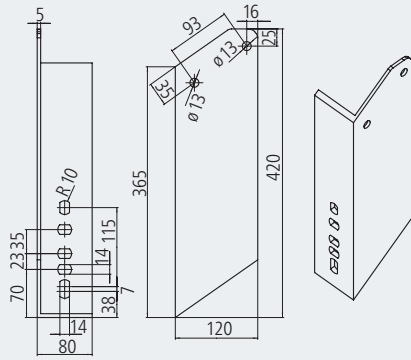


Side view with ceiling bracket

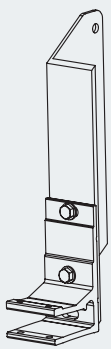
Rafter installation



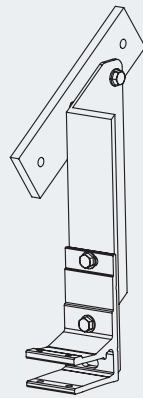
Rafter installation



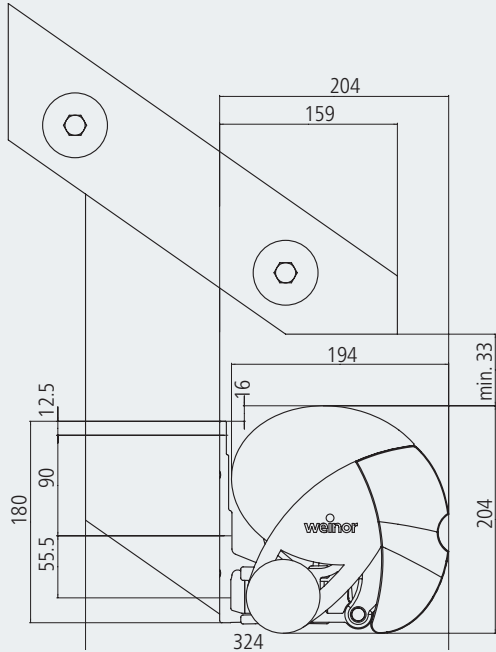
Rafter bracket



Rafter installation without a mounting plate



Rafter installation with a mounting plate



Side view of a rafter-mounted Semina

Rawlplug extraction forces

Non-compression-proof assembly base

Extraction forces for rawlplugs in N per upper fixing located close to an arm

The extraction force is the force with which the weight of the awning and the wind load pull on each upper fixing. The tables indicate this force in N per upper fixing. It varies depending on the awning size and the wall bracket / mounting plate used.

Selecting the wall bracket and anchoring system:

1. Consult relevant table for extraction force per fixing for selected awning size.

2. Select a wall bracket/mounting plate for which there is a fastener which can resist the indicated extraction force. Remember to take into account the spacing, the area which will be damaged if the fixing breaks out, the type of fixing used and the assembly base.

See separate bracket overview for other bases.

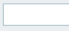
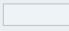
- 1 standard wall bracket (85 mm)
1 standard wall bracket (85 mm)
per awning arm
fasteners: 2 per bracket
- 1 standard wall bracket (85 mm)
2 standard wall brackets (85 mm) per
awning arm
fasteners: 2 per bracket
- or
- 1 wall bracket (260 mm) plus
1 standard wall bracket (85 mm)
as a central bracket,
1 wall bracket (260 mm)
per awning arm
fasteners: 10 in all
- 1 wall bracket (260 mm) plus
1 standard wall bracket (85 mm)
as a central bracket,
2 wall brackets (260 mm)
per awning arm
fasteners: 10 in all
- Mounting plate (240 x 280 mm)
incl. 1 standard wall bracket
(85 mm),
Standard wall bracket (85 mm)
incl. base plate
fasteners: 4 in all

Width in cm	Projection in cm				
	150	200	250	300	350
250	932	1979	1955		
	466	990	978		
	233	495	489		
	270	400	568		
300	1076	1595	2257	2971	
	538	798	1129	1486	
	269	399	564	743	
	312	462	654	862	
350	1220	1811	2560	3372	4399
	610	906	1280	1686	2200
	305	453	640	843	1100
	354	526	742	978	1276
400	1364	2028	2862	3773	4912
	682	1014	1431	1887	2456
	341	507	716	943	1228
	396	588	830	1094	1424
450	1508	2244	3164	4174	5425
	754	1122	1582	2087	2713
	377	561	791	1044	1356
	438	650	918	1210	1574
500	1652	2461	3466	4575	6736
	826	1231	1733	2288	3368
	413	615	867	1144	1684
	480	714	1006	1326	1954
550	1796	2677	3768	5533	7331*
	898	1339	1884	2767	3666
	449	669	942	1383	1833
	520	776	1092	1634	2126
600	1940	2894	4070	6095	7927*
	970	1447	2035	3048	3964
	485	724	1018	1524	1982
	562	840	1180	1768	2298
650	2085	3110	4925	6558	8522*
	1043	1555	2463	3279	4261
	521	778	1231	1640	2131
	604	902	1428	1902	2472
700	1486	2217	3514	4680	6079
	743	1109	1757	2340	3040
	372	554	879	1170	1520
	430	642	1018	1358	1762

* 2 standard wall brackets (85 mm) per arm required

Ceiling mounting (on C20/25 concrete)

Extraction forces in N for ceiling mounting + front mounting on concrete ceilings

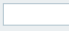
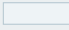
-  Ceiling bracket with wall bracket fasteners: 2* per bracket
-  Ceiling bracket with wall bracket Starting from 5 brackets fasteners: 2* per bracket

Width in cm	Projection in cm				
	150	200	250	300	350
250	1035	1524	2159	2846	3741
	518	762	1080	1423	1871
300	1202	1771	2500	3297	4318
	601	886	1250	1649	2159
350	1370	2017	2841	3749	4896
	685	1009	1421	1875	2448
400	1537	2263	3182	4200	5473
	769	1132	1591	2100	2737
450	1705	2510	3523	4652	6051*
	853	1255	1762	2326	3026
500	1852	2756	3864	5103	7473*
	926	1378	1932	2552	3737
550	2039	3002	4205	6239*	8138*
	1020	1501	2103	3120	4069
600	2207	3249	4546	6755*	8803*
	1104	1625	2273	3378	4402
650	2374	3495	5451	7270*	9467*
	1187	1748	2726	3635	4734
700	1278	2495	3891	5190	6755
	639	1248	1946	2595	3378

* 2 brackets per arm required

Rafter bracket installation

Shear force in N per fixing

-  Rafter bracket plus standard wall bracket
-  Rafter bracket plus mounting plate for rafter bracket, plus standard wall bracket

Width in cm	Projection in cm				
	150	200	250	300	350
250	1352	2004			
	621	885			
300	1562	2319	3294		
	721	1027	1421		
350	1773	2634	3734	4940	
	821	1169	1614	2102	
400	1983	2949	4174	5526	7223
	921	1312	1807	2353	3033
450	2194	3264	4614	6112	7962
	1021	1454	2000	2605	3353
500	2405	3579	5054	6698	4916
	1121	1596	2193	2857	2062
550	2615	3894	5495	8181	5350
	1221	1738	2386	3472	2245
600	2826	4209	5935	8853	5785
	1321	1881	2578	3758	2429
650	3036	4524	7114	9525	6220
	1421	2023	3070	4045	5223
700	2389	3499	5431	7223	4715
	1174	1623	2404	3129	2011

Awnings



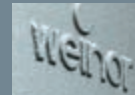
Awning



Awning with Valance Plus and Tempura



Awning with Valance Plus and Paravento



Premium quality
Made in Germany

Pergola awnings



PergoTex II and Tempura



Pergola awning Plaza Home and Paravento



Pergola awning Plaza Pro with Paravento and VertiTex

Customised, systemised solutions

Patio roof and Glasoase®



Glasoase® with conservatory awning and all-glass elements



Patio roof with SUPER LITE fixed glazing



Terrazza patio roof with Sottezza II sun protection

Patent no			
994221	1936061	2383402	EP1936105
1206609	1936062	2458107	EP2136214
1382770	2009192	2631386	EP3048213B1
1522650	2072709	3054063	EP3054063B1
1541776	2136013	EP0916781	
1564364	2199484	EP0959195	
1835089	2202376	EP1310609	

Last revised: 09/2017

The current issue can be found at www.weinor.de/fachpartner/service/downloadcenter