



weinor

Premium quality
Made in Germany



Terrazza

Terrazza Originale | Terrazza Plus | Terrazza Extra



Contents

Product highlights	4	Frame colours	13
Roof models	6	Cross-sections and dimensions	14–23
Combination options	9	Post positions	24
LED/Design strip light	10	Transoms	25
Heating system Tempura Universal	10	Post and drain accessories	26–29
Sun protection	10, 30–33	Sun protection	30–33
BiConnect remote control	13	Glasoase®	34–37

weinor Terrazza –
the elegant patio roof with potential



High-quality: The weinor Terrazza patio roof convinces with its elegant construction, shapely design and high resilience. The modular system can be transformed by vertical glass elements to create the transparent Glasoase®. Other features include sun protection, light and heating. The numerous versions make it suitable for the most diverse types of building and requirements.

weinor Terrazza highlights



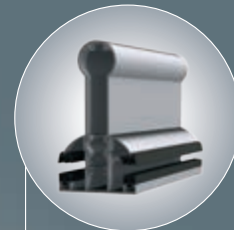
47 frame colours
and 9 trend colours



Three roof types –
multiple versions



Elegant design



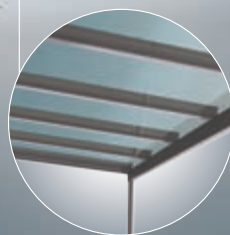
Rigid aluminium
construction



Rigid roof covering

Invisibly integrated
drainage

for Terrazza Originale
and Terrazza Plus

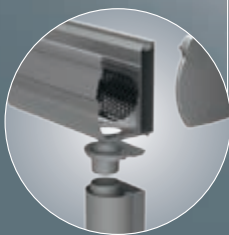


Modular system

- Can be retrofitted afterwards with
- patio lighting
 - patio heating
 - sun protection
 - BiConnect remote control



115 post



90 post



Can be transformed by vertical
glass elements to the weinor
Glasoase® transparent
weather protection

Product benefits in detail

Technology and design in top form: the highlights of the weinor Terrazza



Three roof types – multiple versions

The high-quality weinor patio roof provides weather protection all year round. The model is available with or without roof overhang – with

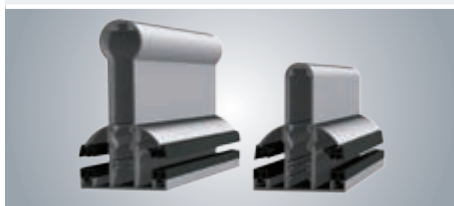
integrated rain gutter in both cases. The broad range of models offers just the right complement for any type of building.



Elegant design – as if from one casting

The weinor Terrazza patio roof captivates through its harmonious design. The elegant yet rigid construction is thought out down to the finest detail:

- no mounting grooves
- no silicone
- almost no visible screws



Rigid aluminium construction – tested security all-round

The resilient construction is based on structural computations by a certified engineering consultancy.

- without thermal separation
- extra thick profiles

- corrosion-resistant with aluminium profiles and stainless steel screws
- snow load of up to 550 kg/m²
- roof depths of up to 6,000 mm



Rigid roof covering – resilient and shatter-proof

The weinor Terrazza is rated for high-quality laminated safety glass (LSG):

- roofing from 10 or 12 mm LSG
- highly resilient, structurally tested

- accessible to personnel for maintenance work from a thickness of 10 mm
- 16 mm polycarbonate available as an option (rain noise!)



115 post

90 post

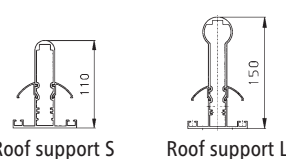
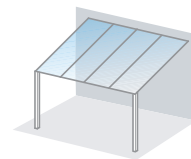
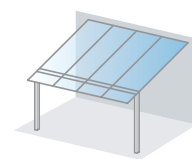
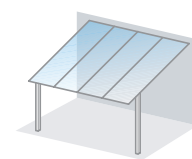
Invisibly integrated drainage (Terrazza and Terrazza Plus)

Rainwater is systematically drained away by the drainage discretely integrated into the post. Upon request, the drain can also be fed through a post plate. The optional foliage screen prevents the ingress of leaves and the like into the rain

gutter. There is a choice of two post styles – 115 post (square) and 90 post (round). So the best match can be made to either the existing surroundings or simply a preferred style.

- standard
- optional
- unavailable

Terrazza roof model system

	Terrazza Originale	Terrazza Plus	Terrazza Extra
All versions with either roof support S or roof support L 	Pent roof with integrated rain gutter 	Pent roof with integrated rain gutter and roof overhang 	Pent roof with hidden gutter and roof overhang 
Technology			
Max. roof width	all widths possible, depending on number of posts		
Max. roof depth (roof support S/L)	3,000 mm/6,000 mm	3,500 mm/6,000 mm	3,500 mm/6,000 mm
Roof pitch in Quick & Easy (3° to 15°) Warning: < 5° tightness of the roof is at risk	●	●	—
Roof pitch (5° to 15°)	●	●	●
Roof pitch (> 15° to 45°)	○	—	○
Guttering drainage	○ covered or outside	○ covered or outside	● outside
Design			
47 standard colours	●	●	●
Other RAL colours	○	○	○
9 trend colours	●	●	●
Other textured colours	○	○	○
Accessories			
Underlay sun protection	○	○	○
Overlay sun protection	○	○	○
Vertical sun protection	○	○	○
Vertical glass element	○	○	○
Heating system, Tempura	○	○	○
LED strip light	○	○	○
Sliding skylight	○	○	○
Roof vent	○	○	○
Post Terrazza system			
Post 115 (square)	●	●	—
Post 90 (round)	●	●	—
Post 70 (square)	—	—	●



Details on weinor Terrazza Quick & Easy

For roof pitches $< 5^\circ$:

- The tightness is endangered, especially in case of large roof depth and use of glass staves.
- Larger deposition is quickly formed in front of glass staves frames (moss, biofilm etc.).
- When trapezoid fillings are employed, the glass panel is very narrow and therefore neither optically appealing nor installation-friendly.
- Use of roof vents could lead to ingress of water (rain due to wind etc.).
- Lack of water drainage and accumulation of water in front of staves at cold temperatures could lead to ice formation on the roof.



- optional
- △ upon request
- unavailable

Types of Terrazza Originale, Terrazza Plus, Terrazza Extra models

		Terrazza Originale		Terrazza Plus		Terrazza Extra
		90 post	115 post	90 post	115 post	70 post
 <p>Pent roof type A Depending on the design, differing distances between centre lines and the resultant additional roof panels can occur.</p>	○	○	○	○	○	
 <p>Pent roof type A with wall offset Depending on the design, differing distances between centre lines and the resultant additional roof panels can occur.</p>	○	○	○	○	○	
 <p>Pent roof type A with balcony recess Depending on the design, differing distances between centre lines and the resultant additional roof panels can occur.</p>	○	○	○	○	○	
 <p>Pent roof type A with guttering offset Depending on the design, differing distances between centre lines and the resultant additional roof panels can occur.</p>	○	○	△	△	△	
 <p>Pent roof type A tapered wall bracket left/right Pent roof with tapered wall bracket or partially tapered wall bracket</p>	○	○	○	○	○	
 <p>Pent roof type A tapered guttering left/right Pent roof with tapered guttering or partially tapered guttering</p>	○	—	△	—	△	
 <p>Pent roof type B Pent roof with bent side roof supports, width of outer roof panel max. 1,000 mm, roof depth max. 4,500 mm</p>	○	△	—	—	△	
 <p>Pent roof type C Pent roof with tapered side roof supports, width of outer roof panel max. 1,000 mm, roof depth max. 4,500 mm</p>	○	△	△	△	△	
 <p>Pent roof type G Pent roof with hipped and bevelled sides, with continuous guttering, width of outer roof panel max. 1,000 mm, roof depth max. 4,500 mm</p>	○	—	—	—	—	
 <p>Pent roof type I Pent roof with hipped sides with continuous guttering, width of outer roof panel max. 1,000 mm, roof depth max. 4,500 mm</p>	○	—	—	—	—	
 <p>Pitched roof type L Pitched roof, width max. 6,500 mm, roof depth max. 6,500 mm (observe minimum roof pitch of 5° – 30°)</p>	○	△	△	△	△	
 <p>Pent roof type N Roof plane angled, outer corner always 90°, Hip rafters from 2 individual roof supports with cover plates</p>	○	△	—	△	△	
 <p>Pent roof type R Roof plane angled, inner flute always 90°</p>	○	—	—	—	—	

Further individual shapes and maximum dimensions possible upon request.



Wall mounting

Roof assembly

LED/Design strip light– use of patio into the evening (option)

Strip lights enable the patio roof to be used for longer periods.

- atmospheric light thanks to special glass lenses
- highly energy efficient
- operating life of 30,000 hours
- with BiConnect remote control, continuous dimming

- service-friendly: simple replacement of individual LED lights
- housing in the patio roof colour
- including connection lead and lead rail
- easy to retrofit
- individual length up to 6,500 mm



Tempura Universal heating system, high-performance level (option)

The energy-efficient Tempura infrared heating system has an impressive heating capacity of over 1,500 watt in a tiny housing.

- instant heat: no warm-up time
- turn as required for targeted warmth
- operate and dim using BiConnect remote control

- splash protection
- comes in 47 standard frame colours plus 9 scratchproof, resistant trend colours with a smart, textured look
- option: 150 special RAL colours
- universal bracket makes it easy to retrofit
- TÜV tested

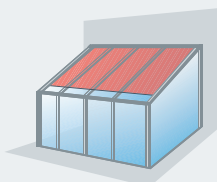


Sun protection – dazzle, visual and heat protection

Sun protection systems from weinor satisfy a host of requirements: they prevent unpleasant dazzle effects and the fading of furniture and carpets. They ensure side/front visual and dazzle protection. And they

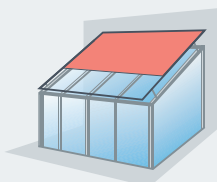
prevent overheat effects with closed vertical elements.

- perfectly matched to the Terrazza patio roof
- can be retrofitted afterwards
- choice of 150 fabric designs



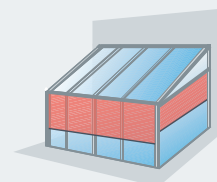
Underlay awning

The underlay conservatory awning Sottezza II protects against dazzle and UV rays. Perfectly matched to the Terrazza, it is ideally suited for well-ventilated rooms.



Overlay awning

For primarily closed side elements, a roof-mounted conservatory awning from the WGM range is the ideal solution. It effectively reduces the greenhouse effect.



Side/front awning

The weinor VertiTex vertical sun protection system offers reliable visual, anti-dazzle and heat protection. Fitted with a Soltis® climate fabric, it promotes air circulation.

Additional information on the sun protection systems is provided from Page 30.







BiEasy 5M

BiEasy 15M
with display

BiConnect remote control – for operating conservatory awning, light and heating (option)

weinor conservatories are fitted with a motor as standard. They can optionally be controlled using the pre-programmed BiEasy remote control – just like patio heating and lighting. There are handheld transmitters with different numbers

of channels: choose from 1, 5 or 15 channels with a display.

Security: interference-free transmission on a frequency of 868 MHz

Range: Up to 100 m in an open field



Wide range of frame colours – abundance of choices

weinor coats all of its products in its own workshop. This ensures that they have the best-possible colour tonality and identical gloss levels.

- 47 standard RAL frame colours, silk gloss (gloss level $70 \pm 5\%$ when measured at a 60° angle)
- 9 scratchproof, resistant trend colours with a textured look
- over 150 special RAL colours

47 standard frame colours

RAL 1002 Sandy yellow	RAL 1003 Signal yellow	RAL 1014 Ivory	RAL 1015 Light ivory	RAL 1023 Traffic yellow	RAL 1034 Pastel yellow	RAL 2000 Yellow orange	RAL 2002 Vermillion	RAL 2011 Deep orange
RAL 3002 Carmine red	RAL 3004 Magenta red	RAL 3007 Black red	RAL 4005 Blue lilac	RAL 4006 Traffic purple	RAL 5005 Signal blue	RAL 5009 Azure blue	RAL 5014 Pigeon blue	RAL 5021 Water blue
RAL 5022 Night blue	RAL 5024 Pastel blue	RAL 6005 Moss green	RAL 6009 Fir green	RAL 6011 Reseda green	RAL 6012 Black green	RAL 7015 Slate grey	RAL 7016 Anthracite grey	RAL 7021 Black grey
RAL 7030 Stone grey	RAL 7032 Pebble grey	RAL 7035 Light grey	RAL 7039 Quartz grey	RAL 7040 Window grey	weinor 7319 weinor grey	RAL 8001 Ochre brown	RAL 8003 Clay brown	RAL 8014 Sepia brown
RAL 8016 Mahogany brown	RAL 8017 Chocolate brown	RAL 8019 Grey brown	RAL 8022 Black brown	weinor 8077 weinor dark brown	RAL 9001 Cream	RAL 9005 Jet black	RAL 9006 White aluminium	RAL 9007 Grey aluminium
RAL 9010 Pure white	RAL 9016 Traffic white							

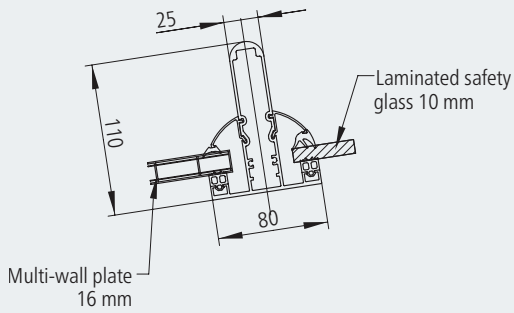
9 trend colours

WT 29/10797 Approx. RAL 9010	WT 29/50704 Approx. RAL 6009 metallic	WT 29/60740 Chestnut 04 metallic	WT 29/70786 Sparkling iron effect	WT 29/71289 Approx. RAL 7016	WT 29/80077 Approx. DB 703 metallic	WT 29/80081 Iron glimmer effect P7	WT 29/90146 Approx. RAL 9006 metallic	WT 29/90147 Approx. RAL 9007 metallic

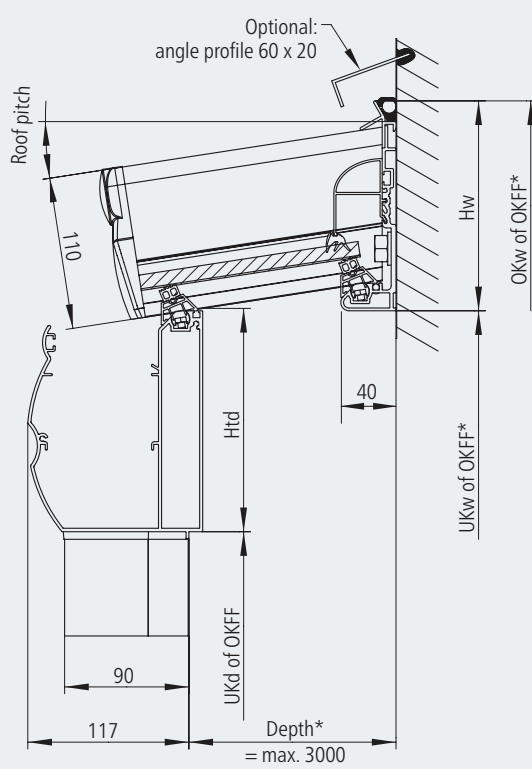
weinor is an eco-friendly company. To ensure compliance with high environmental standards, manufacturing processes and materials undergo regular testing by experts.

As a result of the ban on the use of heavy metals in powder coatings, paint manufacturers can no longer guarantee colour stability despite making every effort to do so. It therefore cannot be excluded that colours in general, and Fire Red (RAL 3000) in particular, may fade with time. For technical reasons, the colours may appear significantly different when printed.

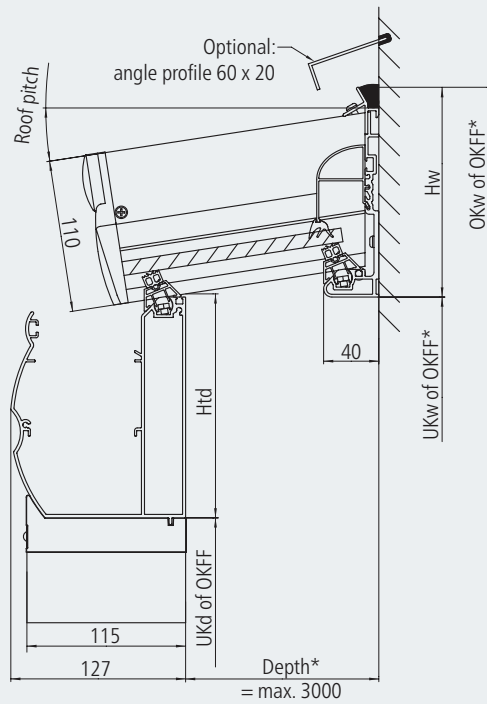
Roof support S – Terrazza Originale (max. roof depth 3,000 mm)



Cross-section
of the gutter support and
wall bracket



90 post



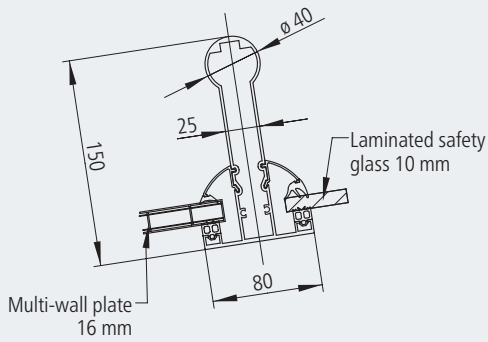
115 post



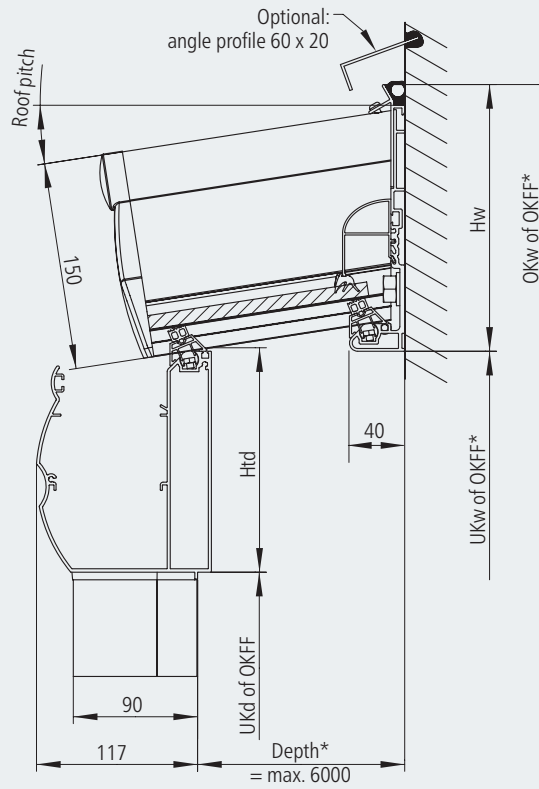
Roof pitch to	5°	10°	15°	20°	25°	30°	35°	40°	45°
Hw in mm	152	153	156	159	164	171	180	192	208
Htd in mm	161	163	164	166	168	170	172	175	178

Roof support L – Terrazza Originale

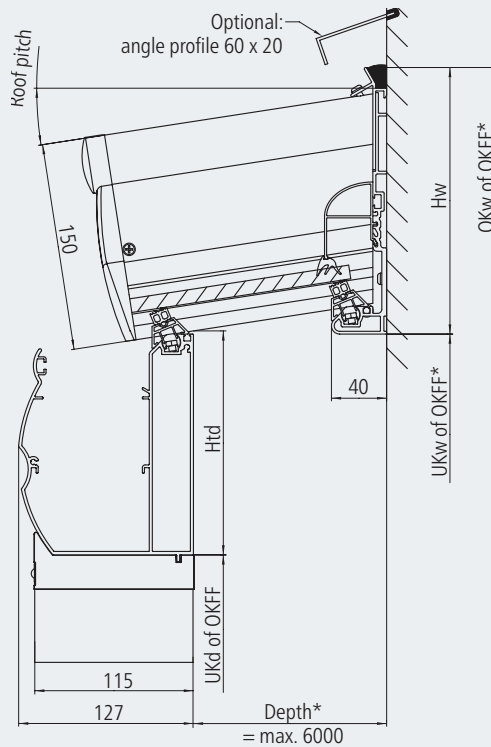
(max. roof depth 6,000 mm)



Cross-section
of the gutter support and
wall bracket



90 post



115 post

- * Order dimension
- Htd** Trapezium element height on the guttering
- Hw** Wall bracket height
- OKFF** Top of floor
- UKd** Bottom of guttering
- UKw** Bottom of wall bracket
- OKw** Top of wall bracket

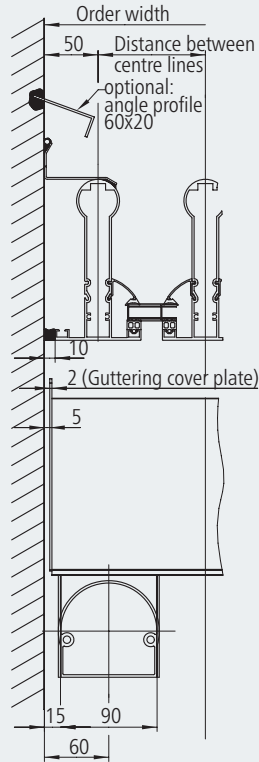
Roof pitch to	5°	10°	15°	20°	25°	30°	35°	40°	45°
Hw in mm	192	194	197	202	208	217	229	245	264
Htd in mm	161	163	164	166	168	170	172	175	178

Roof support L – with and without sideways wall bracket for Terrazza Originale

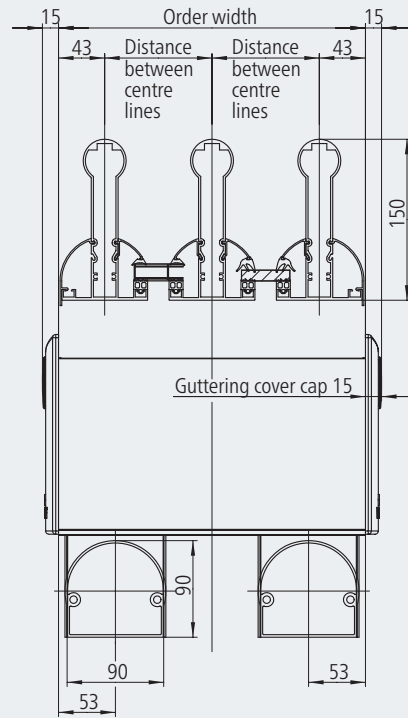


Vertical section through the roof support profiles with distances between centre lines and widths (dimensions also valid for type S roof support)

90 post

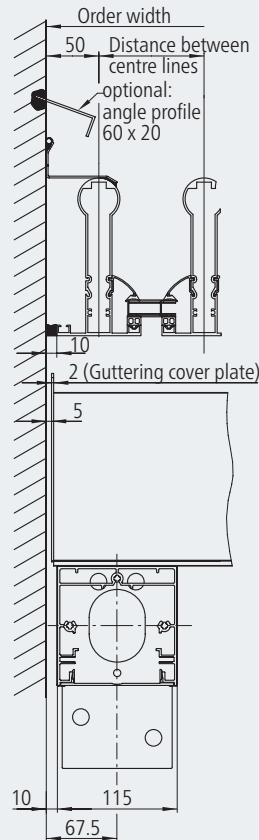


Gutter and post position on a sideways wall

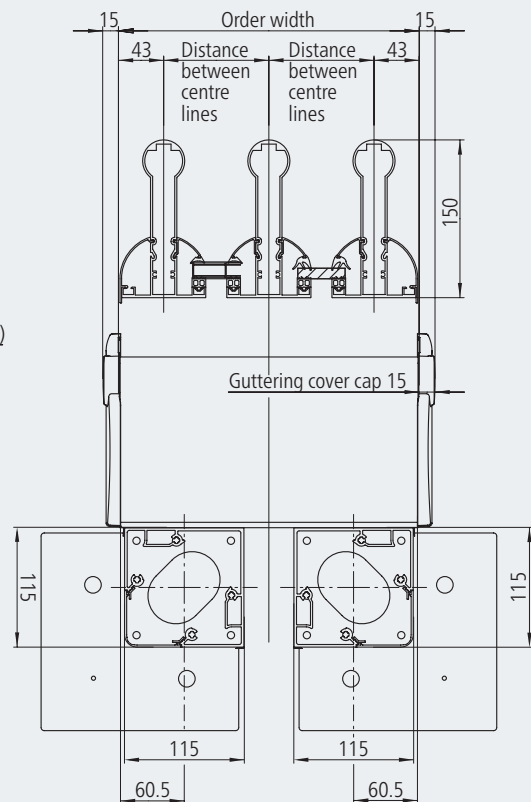


Gutter and post position, free-standing

115 post



Gutter and post position on a sideways wall

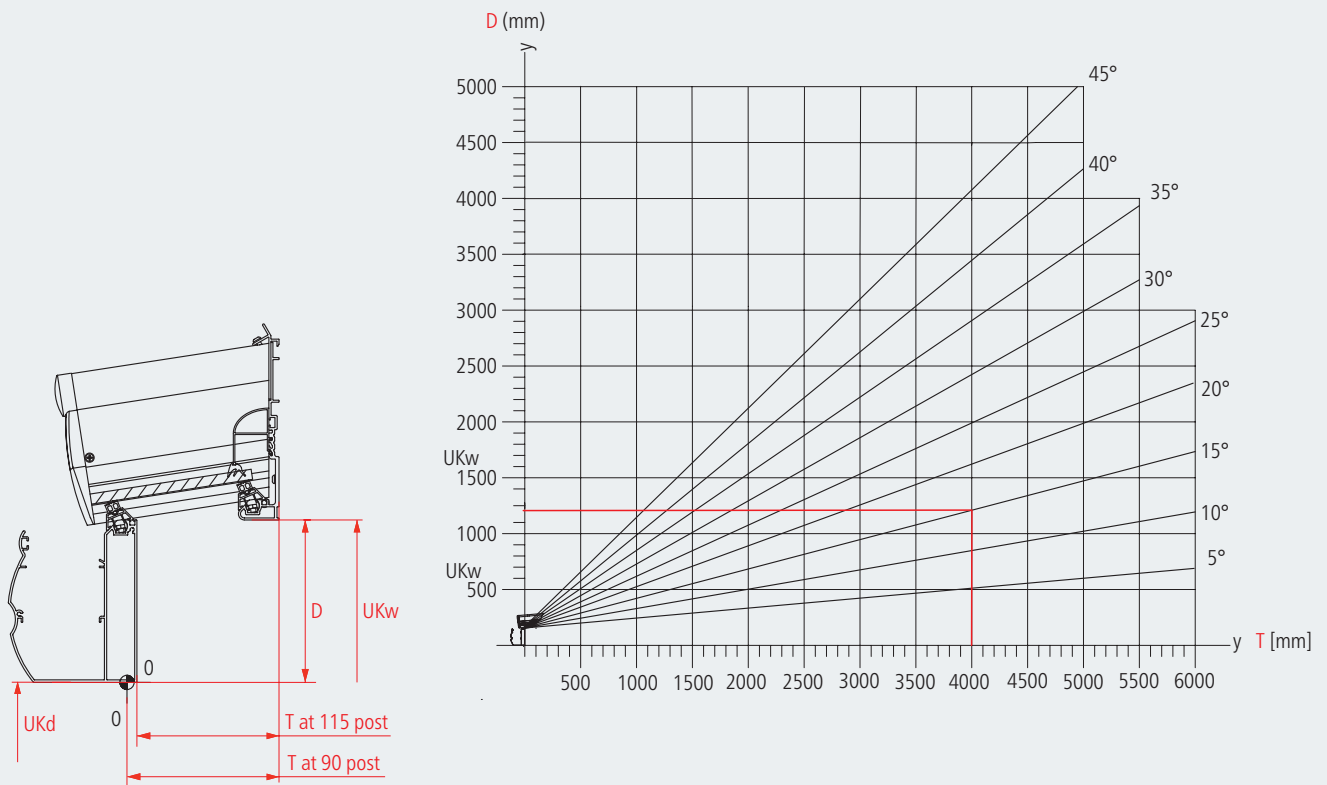


Gutter and post position, free-standing

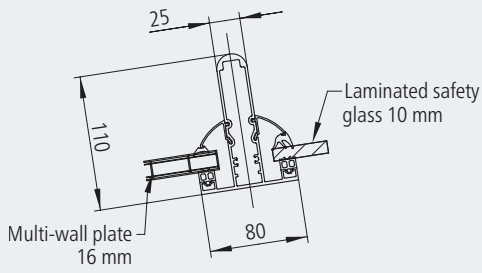
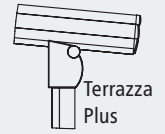
Determining the difference between bottom edge of guttering to bottom edge of wall bracket

Roof depth T (mm)	1000	1250	1500	1750	2000	2250	2500	2750	3000	3250	3500	3750	4000	4250	4500	4750	5000	5250	5500	5750	6000	
90 post																						
Roof pitch 5°	226	248	269	291	313	335	357	379	401	423	444	466	488	510	532	554	576	598	619	641	663	
Roof pitch 15°	403	470	537	604	671	738	805	872	939	1005	1072	1139	1206	1273	1340	1407	1474	1541	1608	1675	1742	
115 post																						
Roof pitch 5°	227	248	270	292	314	336	358	380	402	423	445	467	489	511	533	555	577	598	620	642	664	
Roof pitch 15°	405	472	539	606	673	740	807	874	941	1008	1075	1142	1209	1276	1343	1410	1477	1544	1611	1678	1745	

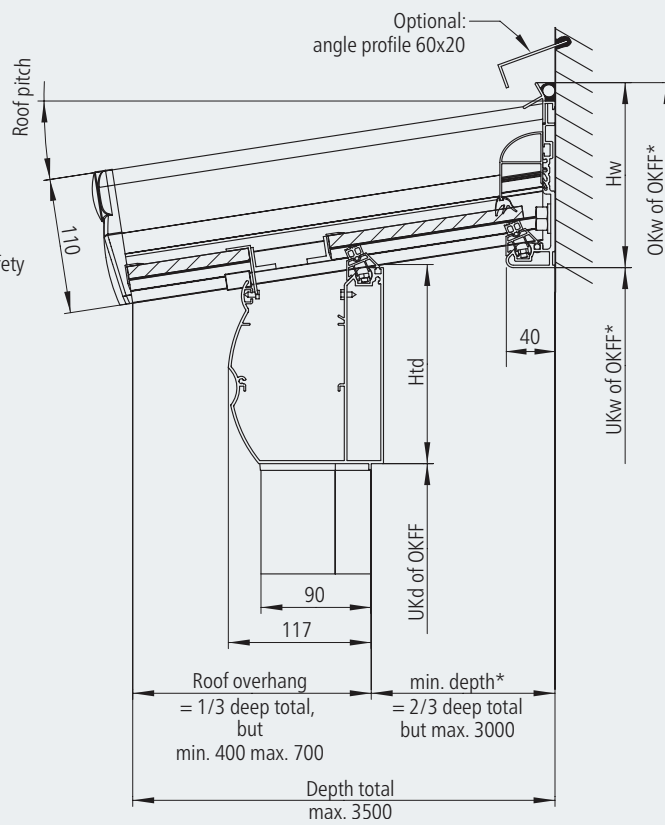
Difference D (between UKw and UKd)



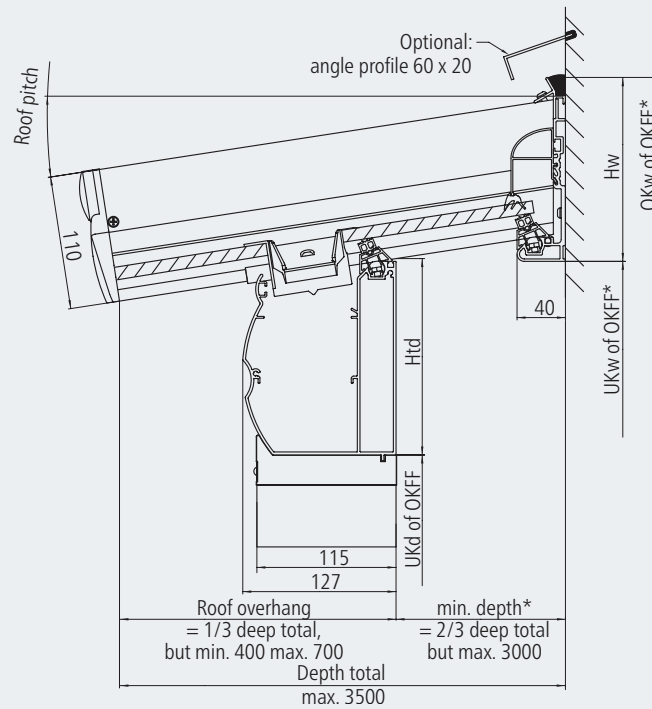
Roof support S – Terrazza Plus



Cross-section
of the gutter support and
wall bracket



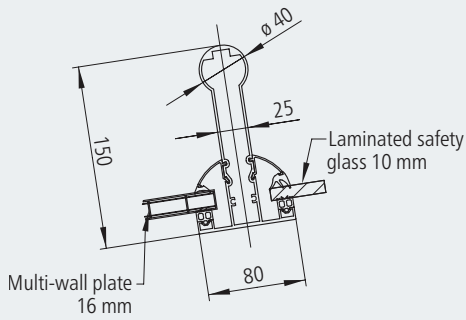
90 post



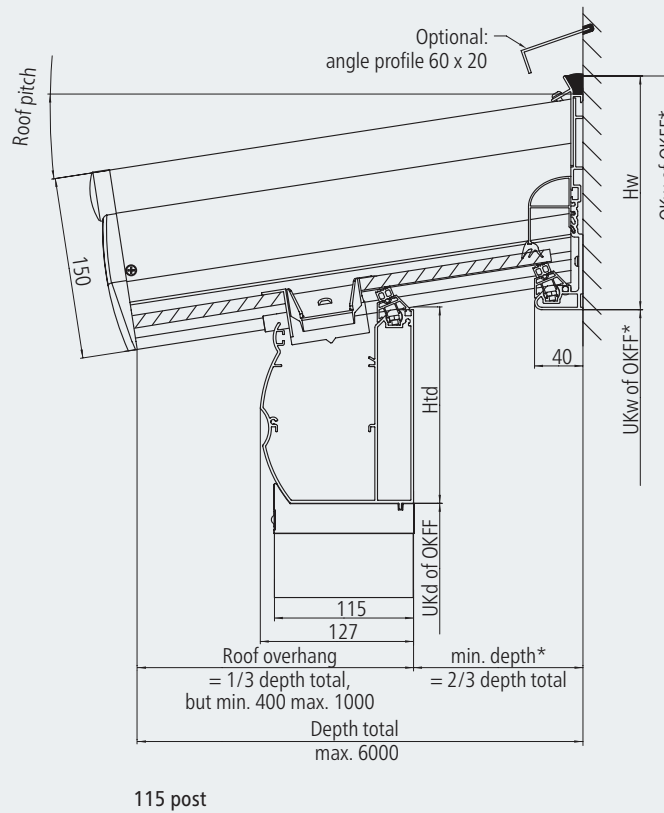
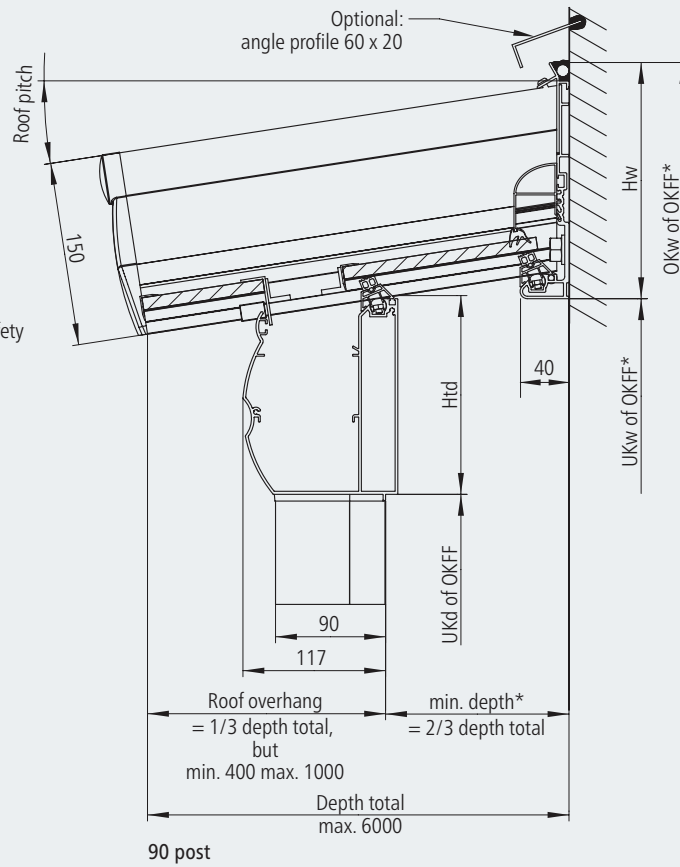
115 post

Roof pitch to	5°	10°	15°
Hw in mm	152	153	156
Htd in mm	161	163	164

Roof support L – Terrazza Plus



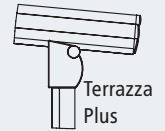
Cross-section
of the gutter support and
wall bracket



- * Order dimension
- Htd** Trapezium element height on the guttering
- Hw** Wall bracket height
- OKFF** Top of floor
- UKd** Bottom of guttering
- UKw** Bottom of wall bracket
- OKw** Top of wall bracket

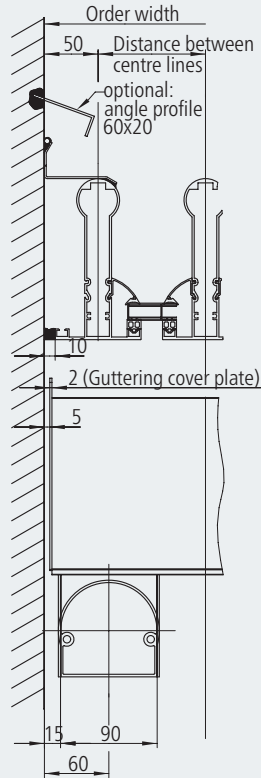
Roof pitch to	5°	10°	15°
Hw in mm	192	194	197
Htd in mm	161	163	164

Roof support L – with and without sideways wall bracket for Terrazza Plus

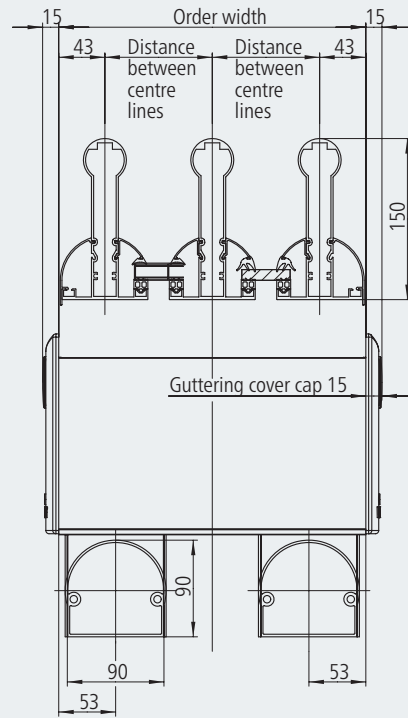


Vertical section through the roof support profiles with distances between centre lines and widths (dimensions also valid for type S roof support)

90 post

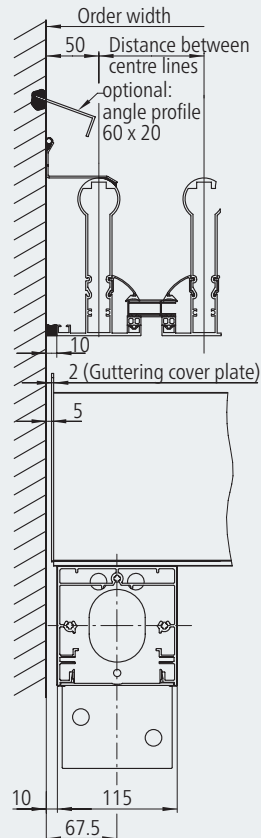


Gutter and post position on the wall

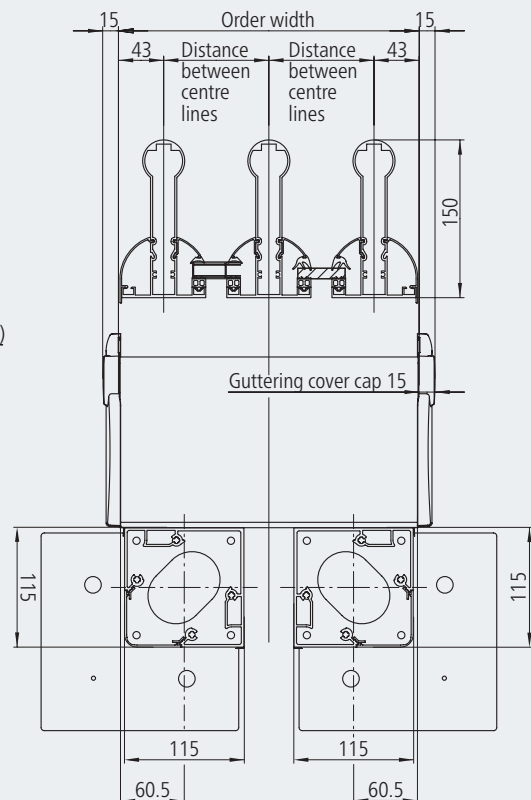


Gutter and post position, free-standing

115 post



Gutter and post position on the wall

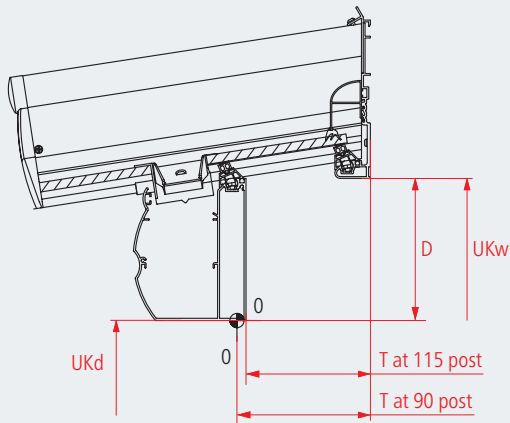
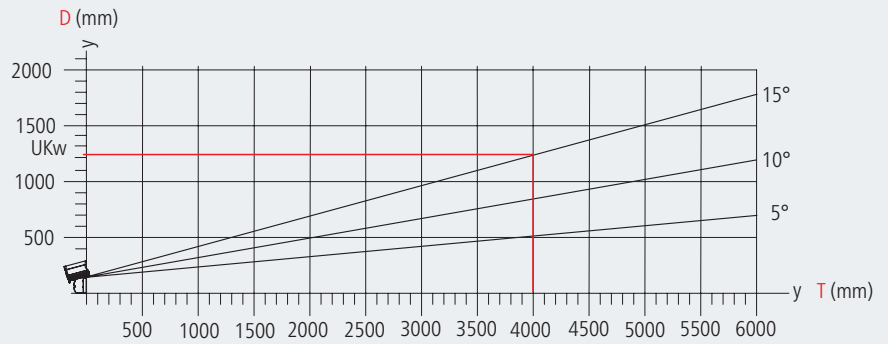


Gutter and post position, free-standing

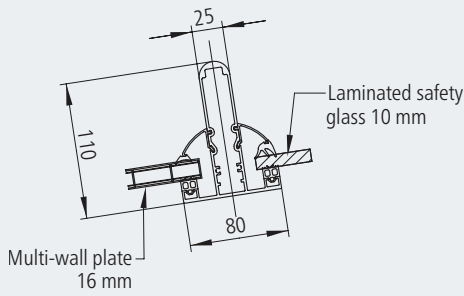
Determining the difference between bottom edge of guttering to bottom edge of wall bracket

Roof depth T (mm)	1000	1250	1500	1750	2000	2250	2500	2750	3000	3250	3500	3750	4000	4250	4500	4750	5000	5250	5500	5750	6000	
90 post																						
Roof pitch 5°	226	248	269	291	313	335	357	379	401	423	444	466	488	510	532	554	576	598	619	641	663	
Roof pitch 15°	403	470	537	604	671	738	805	872	939	1005	1072	1139	1206	1273	1340	1407	1474	1541	1608	1675	1742	
115 post																						
Roof pitch 5°	227	248	270	292	314	336	358	380	402	423	445	467	489	511	533	555	577	598	620	642	664	
Roof pitch 15°	405	472	539	606	673	740	807	874	941	1008	1075	1142	1209	1276	1343	1410	1477	1544	1611	1678	1745	

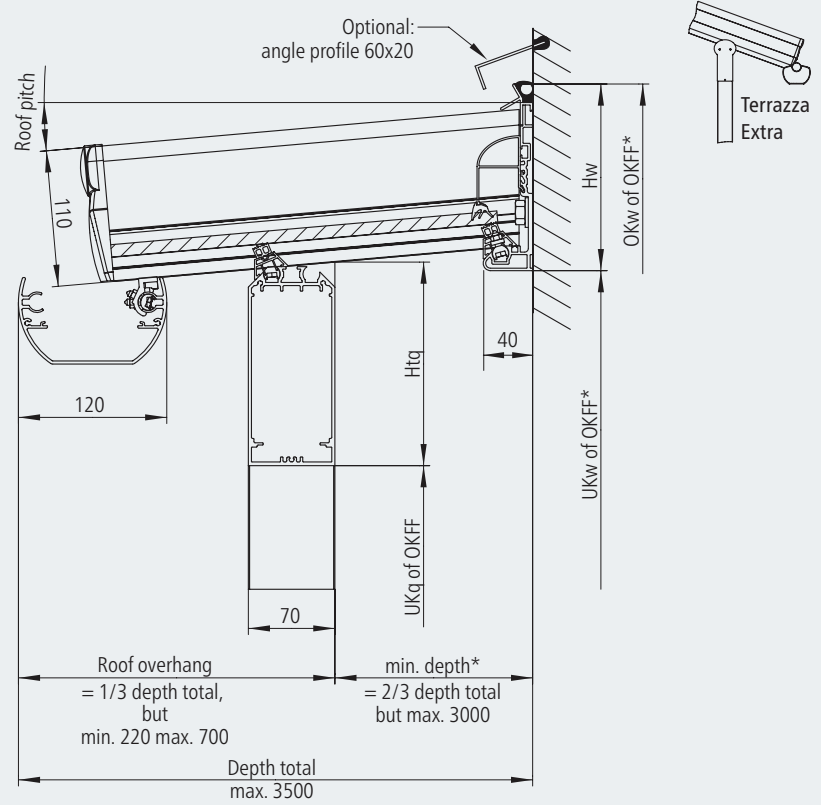
Difference D (between UKw and UKd)



Roof support S – Terrazza Extra

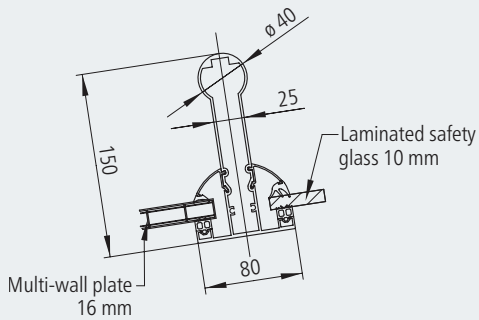


Cross-section
of the gutter support and
wall bracket

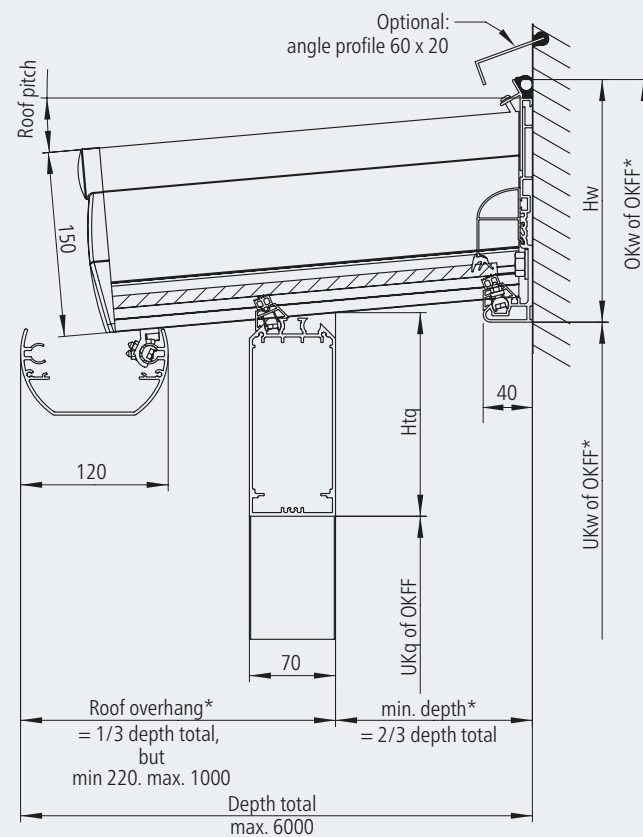


Roof pitch to	5°	10°	15°	20°	25°	30°	35°	40°	45°
Hw in mm	152	153	156	159	164	171	180	192	208
Htq in mm	165	170	175	180	185	191	198	205	214

Roof support L – Terrazza Extra



Cross-section
of the gutter support and
wall bracket



* Order dimension

Htq Height of the trapezium element
on the crossbeam

Hw Wall bracket height

OKFF Top of floor

UKd Bottom of guttering

UKw Bottom of wall bracket

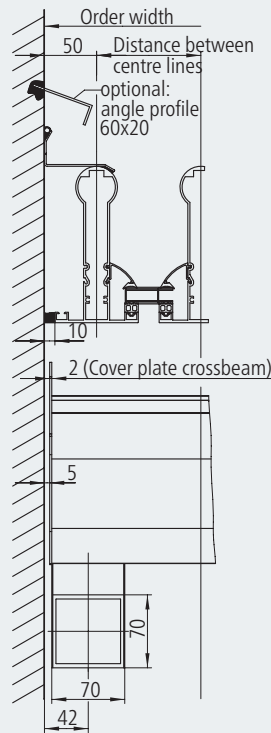
OKw Top of wall bracket

Roof pitch to	5°	10°	15°	20°	25°	30°	35°	40°	45°
Hw in mm	192	194	197	202	208	217	229	245	264
Htq in mm	165	170	175	180	185	191	198	205	214

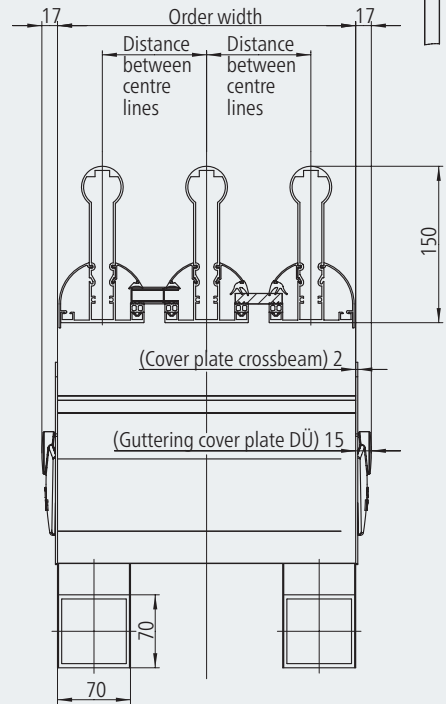
Roof support L – with and without wall bracket for Terrazza Extra

Vertical section through the roof support profiles with distances between centre lines and widths (dimensions also valid for type S roof support)

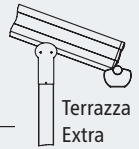
70 post



Crossbeam and post position on the wall



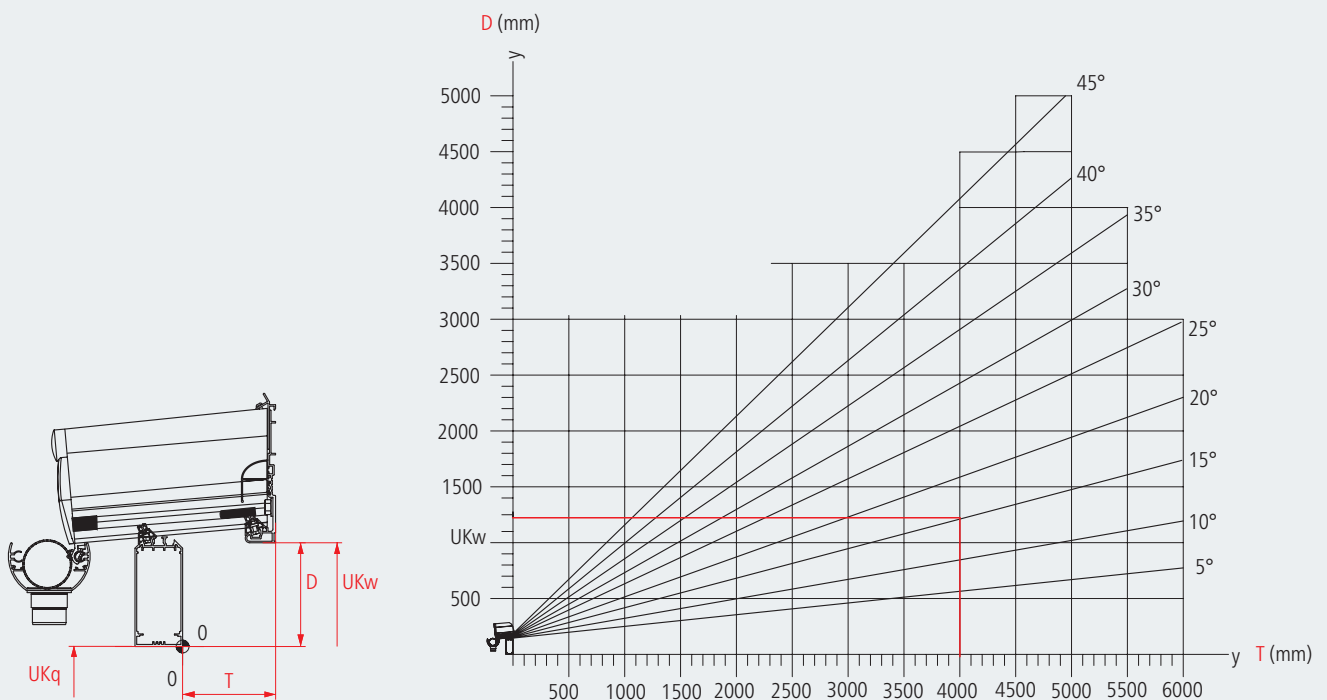
Crossbeam and post position, free-standing



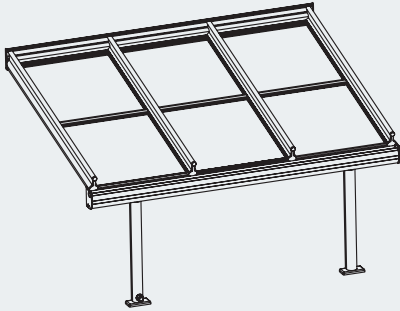
Determining the difference between bottom edge of guttering to bottom edge of wall bracket

Roof depth T (mm)	1000	1250	1500	1750	2000	2250	2500	2750	3000	3250	3500	3750	4000	4250	4500	4750	5000	5250	5500	5750	6000
Roof pitch 5°	231	253	275	297	318	340	362	384	405	428	450	473	493	518	538	560	581	601	625	646	670
Roof pitch 15°	416	484	550	616	685	750	820	885	951	1020	1085	1154	1219	1290	1355	1421	1489	1557	1624	1690	1760

Difference D (between UKw and UKq)



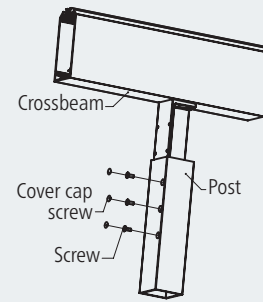
Variable post positions



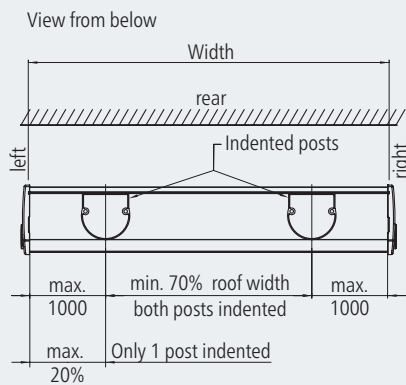
Terrazza Originale with indented posts

If the outer posts are indented, the centre post can be omitted for certain roof dimensions. Additional steel reinforcement bars in the guttering or the crossbeam also permit the number of posts and spacings to be changed. Flexible reactions to structural situations that call for variable positioning of the posts are also possible.

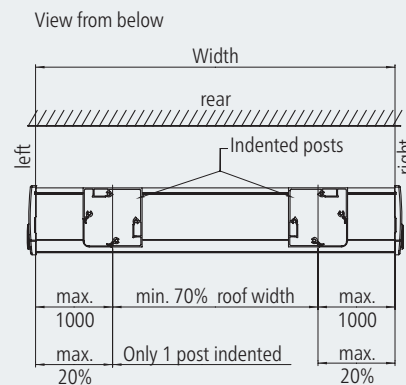
Posts on crossbeam Terrazza Extra



Maximal indent dimension of the posts

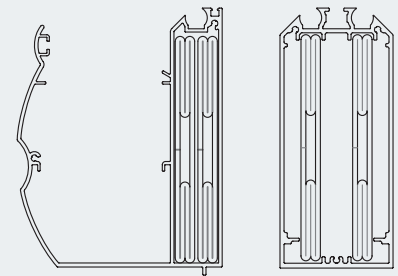


90 post



115 post

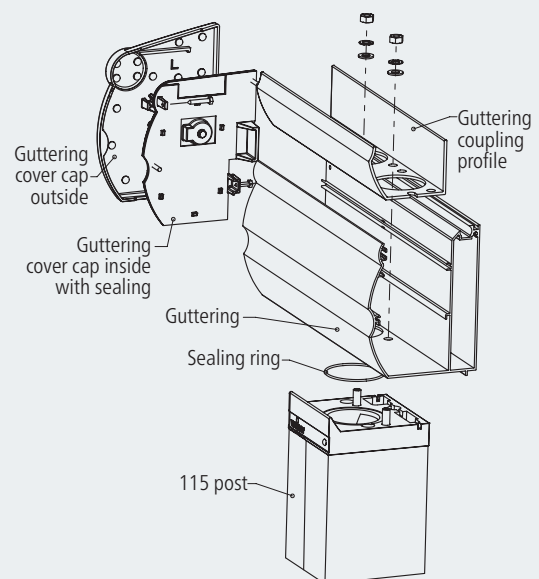
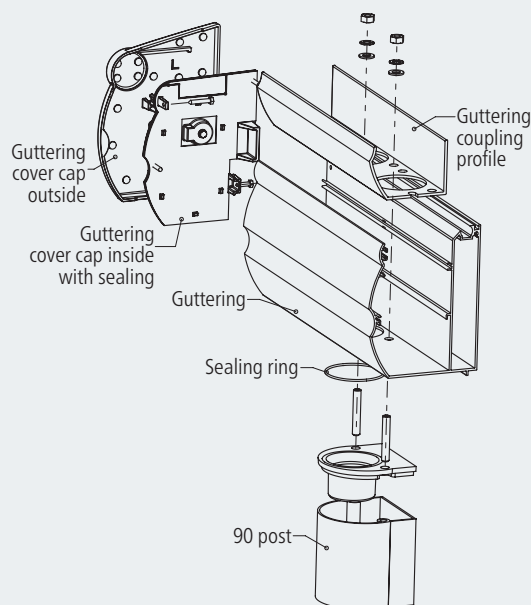
The maximum spacing between the posts can be increased via steel inserts in the guttering. Caution, this can increase the weight of the rain gutter. As snow loads increase, the maximum post spacings reduce accordingly.



Guttering Terrazza Originale and Terrazza Plus

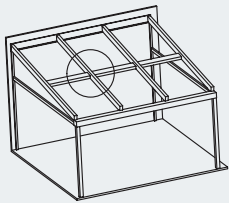
Crossbeam Terrazza Extra

Posts on guttering/crossbeam Terrazza Originale and Terrazza Plus



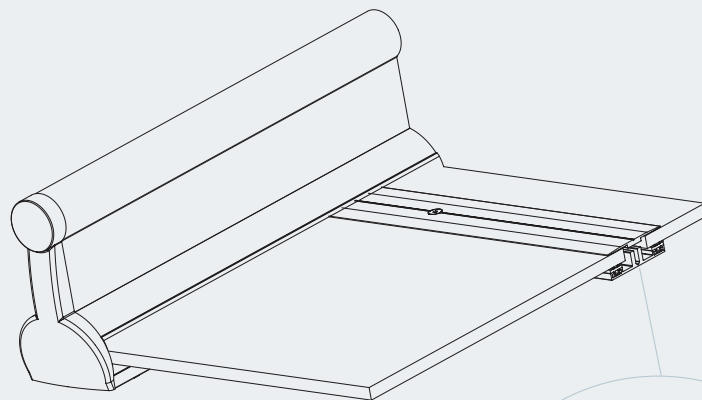


Transoms in the roof area

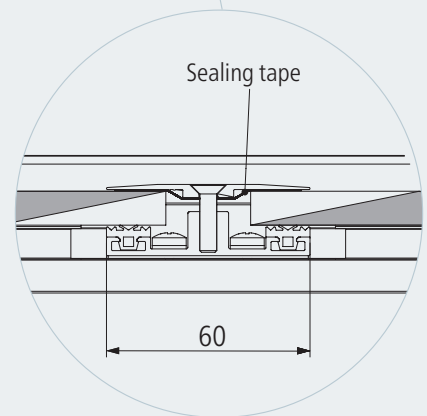


From a pane length of 3,000 mm, it is advisable to split the roof glazing by means of a rigid transom.

The transom in the roof also stiffens the construction, hence improving its structural stability. This is relevant, for example, when using vertical all-glass elements, such as glass doors or side parts.



Roof support with ready-mounted transom

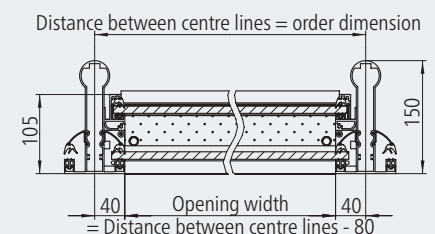


Roof vent WeiTop DL permanent

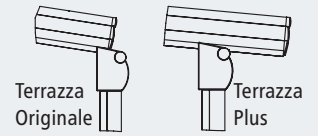
A clever solution: the two offset glass panels of the WeiTop DL permanent roof vent ensure permanent ventilation and hence an agreeable climate.

The benefits

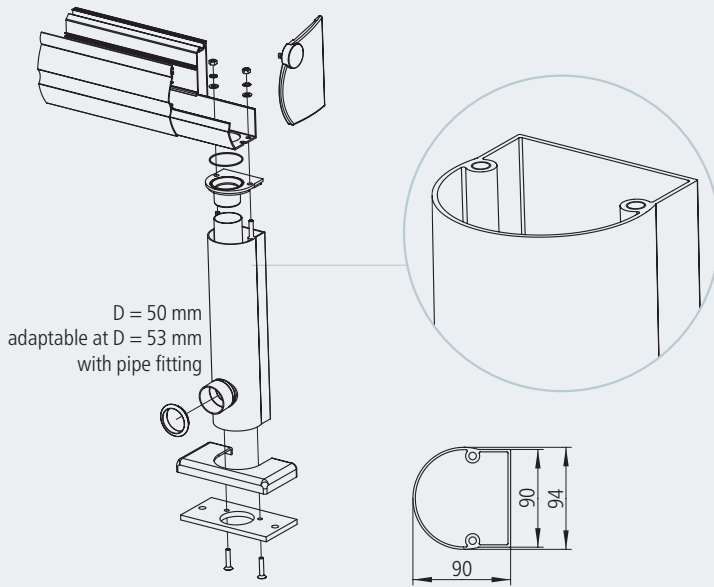
- transparent all-glass solution for an elegant look
- always powdered in roof colour
- pre-equipped for the specified roof covering thickness (10, 12 and 16 mm)
- optional insect screen or winter faceplate for manual assembly



Drain and posts Terrazza Originale and Terrazza Plus



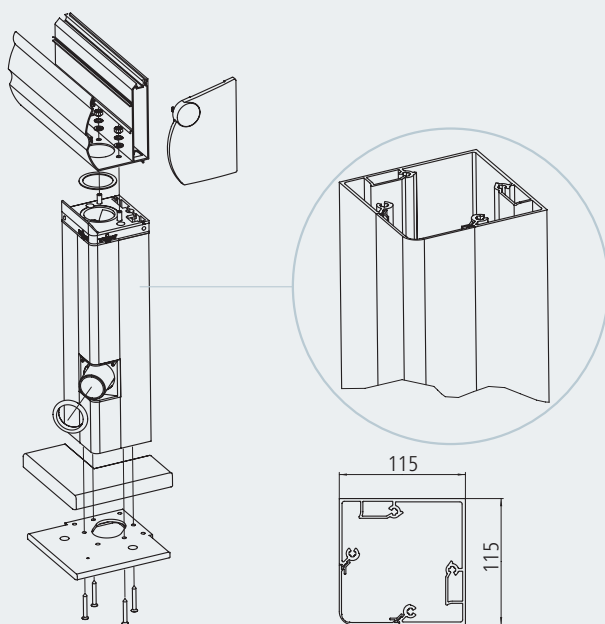
90 post



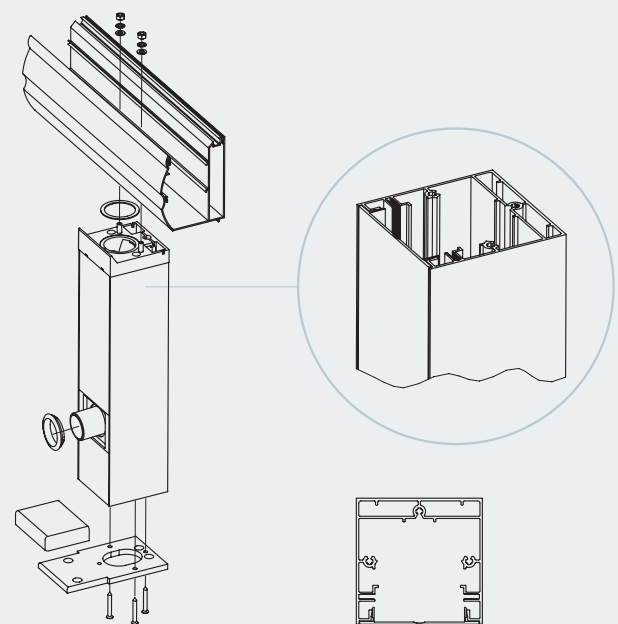
Invisibly integrated drainage

Rainwater is discretely and systematically drained away through the integrated water drain. The drainage is invisibly integrated into one of the posts. The drain can also be purposefully fed through a post plate, if used.

Post 115 outside

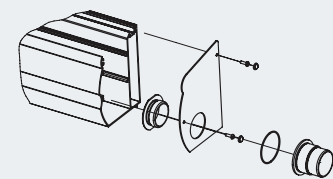


Post 115 middle/wall



Sideways guttering drain (optional)

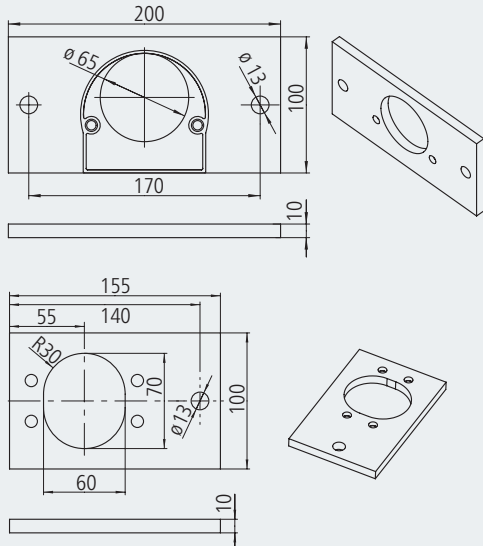
Drain sideways from the guttering incl. cover plate and screw sockets (from aluminium and powdered in roof colour)



Post fixing Terrazza Originale and Terrazza Plus

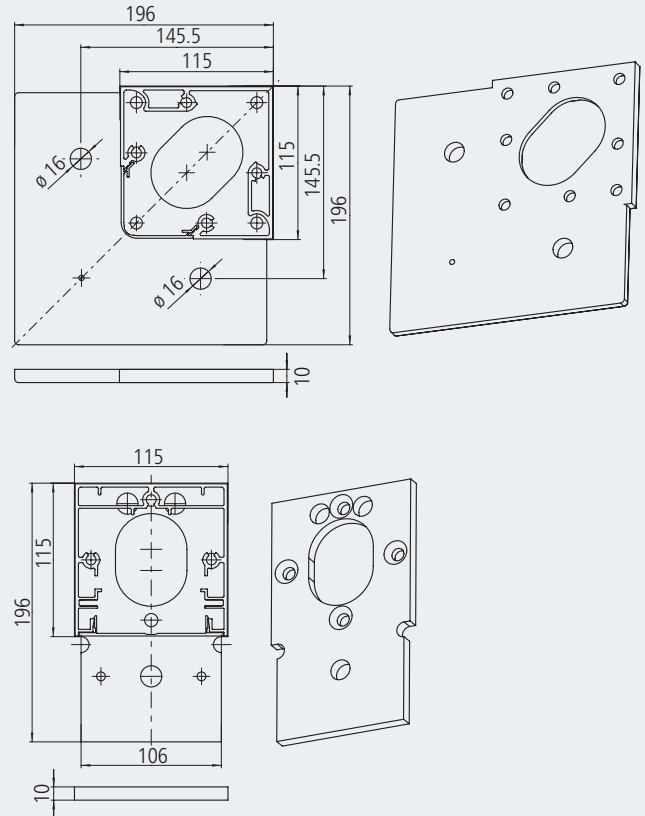
Post plate
for fixing to the foundation

90 post



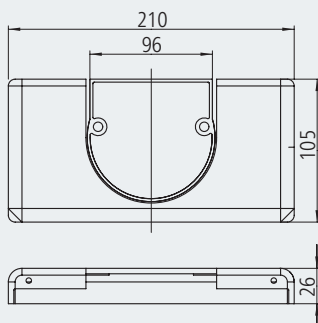
Post plate on wall

115 post

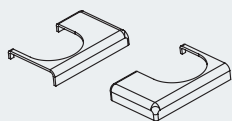
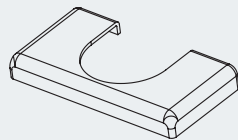


Cover cap on post plate for fixing
to the foundation and for covering
the fixing screws

90 post

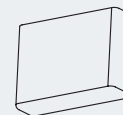
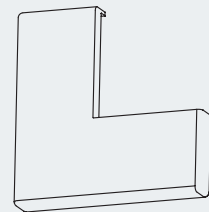
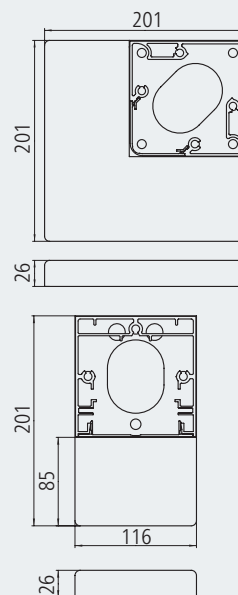


Cover cap for post plate



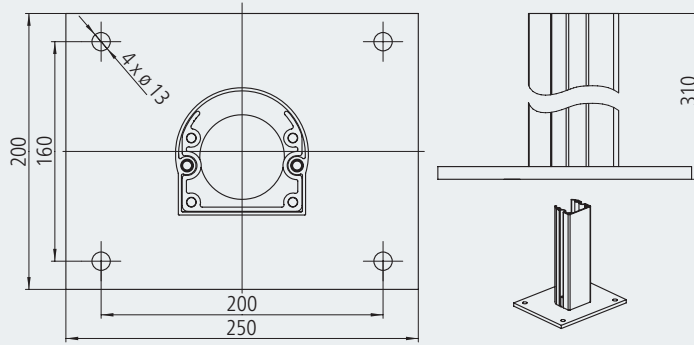
Cover cap for post plate
wall left/wall right

115 post

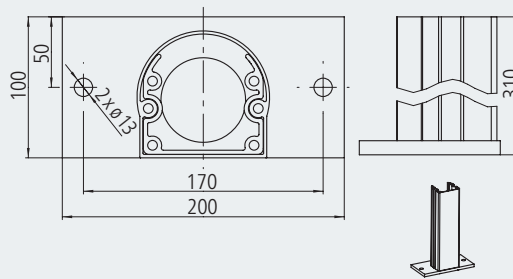


Aluminium base for post tensioning min. 3000 roof depth required

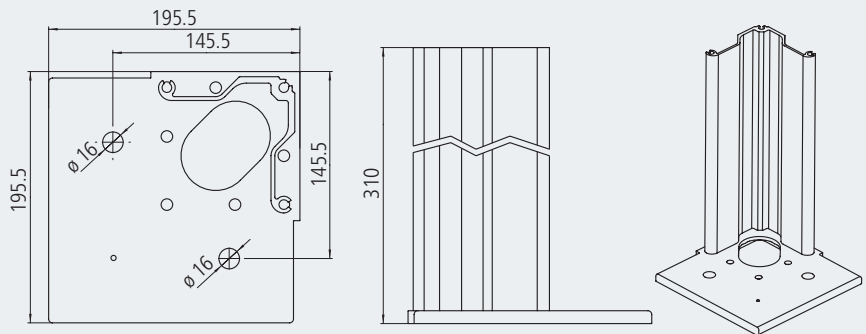
90 post



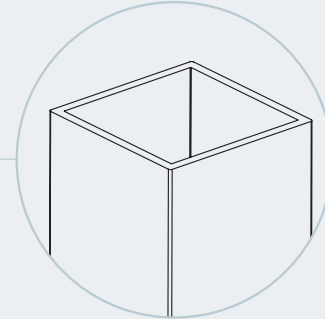
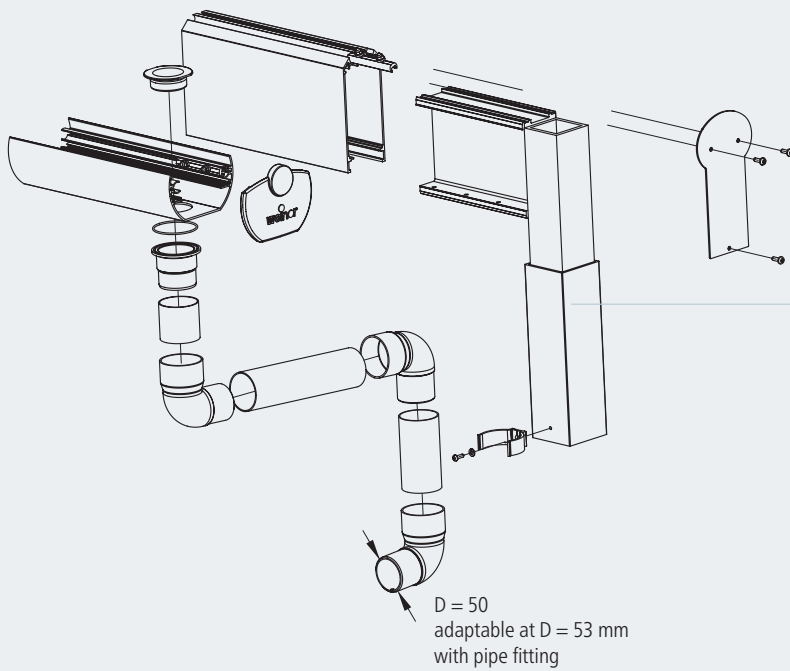
Aluminium base small



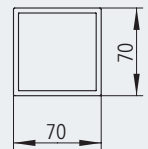
115 post



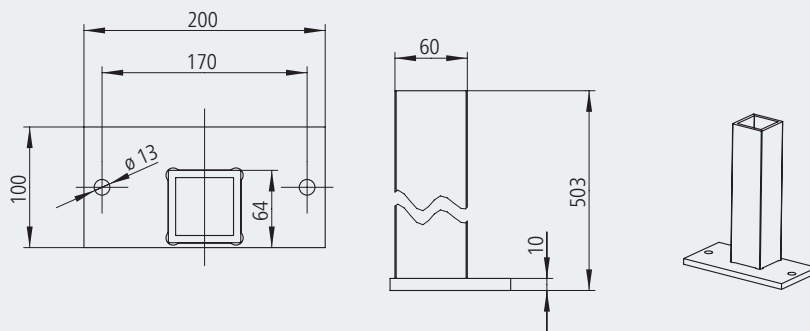
Post accessories Terrazza Extra



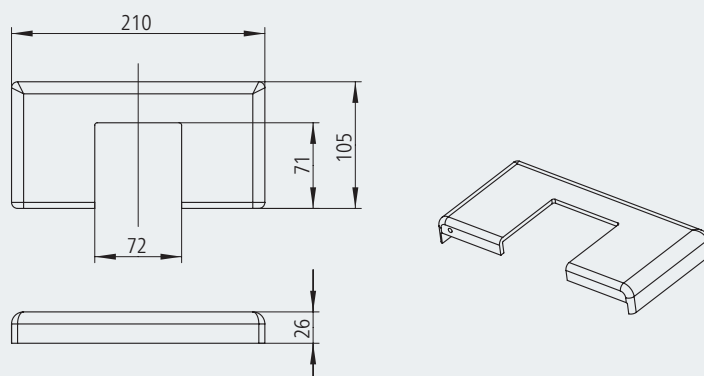
**Post section
Terrazza Extra**



Drain accessories (Terrazza Extra):
Rainwater drains through a hidden gutter with powder-coated aluminium pipes. These pipes can be individually extended and deflected.



**Aluminium base for posts,
70 x 70 mm,
for fixing to the foundation**



**Cover cap for the aluminium base,
70 x 70 mm,
for covering the fixing screws**



VertiTex – Vertical sun protection

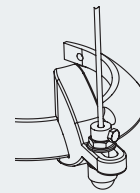
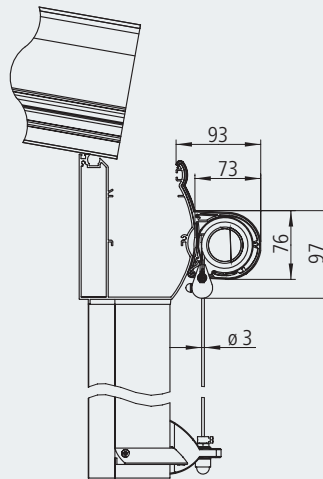
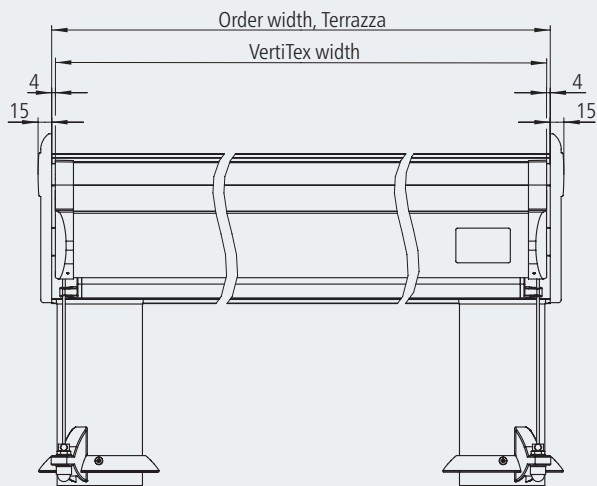
The weinor VertiTex vertical sun protection system offers perfect visual and anti-dazzle protection. In a fabric from the Soltis® collection, it protects against wind and allows the outside to be seen from the inside (transparent from dark to bright).

- suitable for large areas (600 cm x 240 cm)
- VertiTex WeiTop for simple attachment into the Terrazza guttering
- VertiTex with rope guide or rail guide for roofs with overhang (Terrazza Plus, Extra)



reddot design award
winner 2008

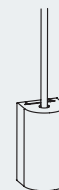
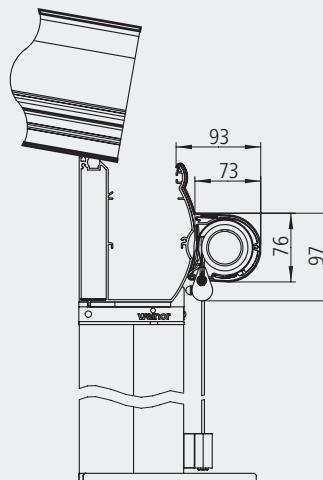
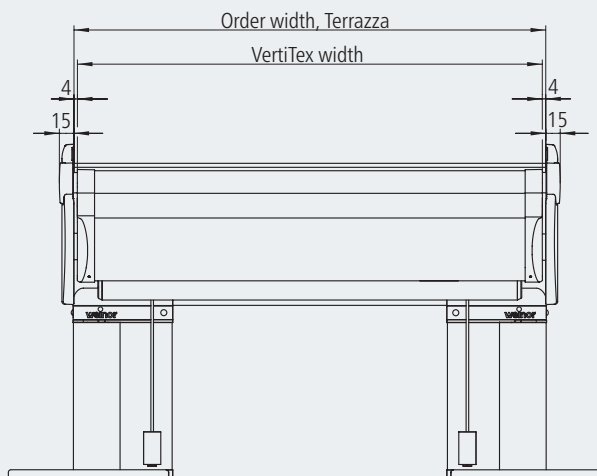
VertiTex WeiTop on Terrazza Originale with 90 post



Rope bracket, WeiTop on Terrazza 90 post

Fabric width = VertiTex width - 104 mm ± 6 mm manufacturing tolerance

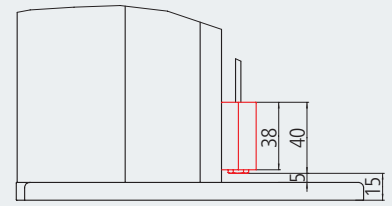
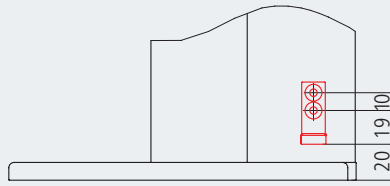
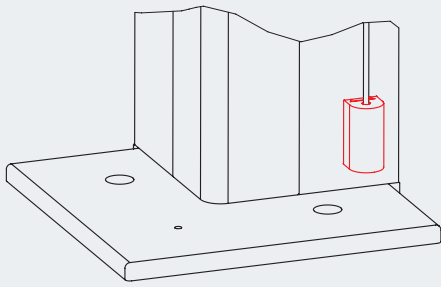
VertiTex WeiTop on Terrazza Originale with 115 post



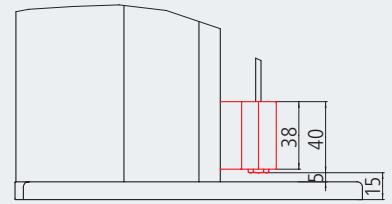
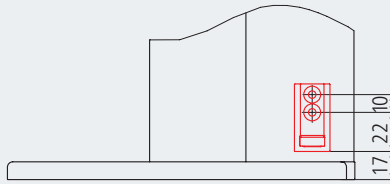
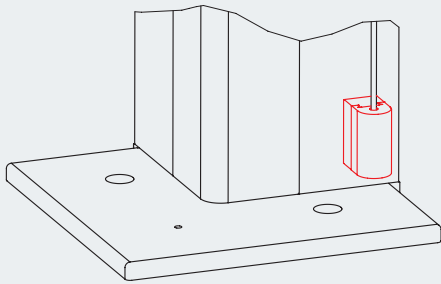
Rope bracket 14 x 35 x 16 mm on Terrazza post 115

Fabric width = VertiTex width - 104 mm ± 6 mm manufacturing tolerance

Additional information and technical details can be found in the product brochure on the VertiTex vertical sun protection system.



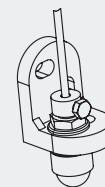
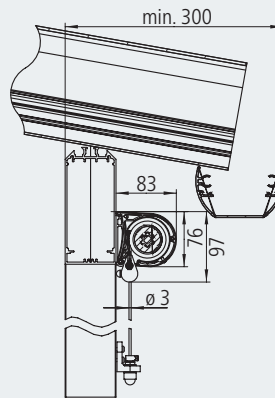
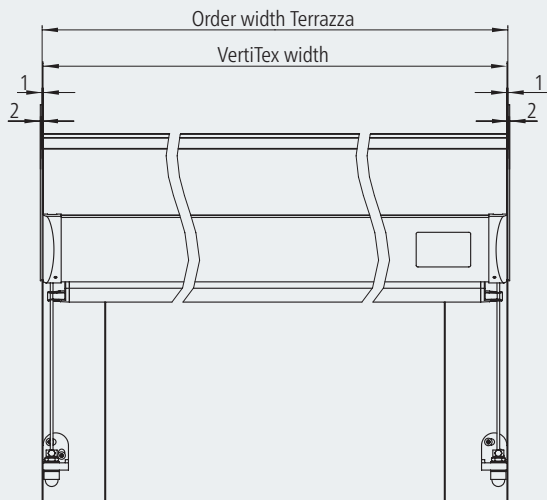
Post 115 with rope holder 14 x 35 x 16 mm (is used for "indented ropes")



Post 115 with rope holder 20 x 38 x 28 mm (is used for standard "ropes outside")

Caution: just possible next to the fabric with wire guide version e.g. multi section units in the middle

VertiTex Universal on Terrazza Extra



Rope bracket, mini on Terrazza post

Fabric width = VertiTex width - 104 mm ± 6 mm manufacturing tolerance



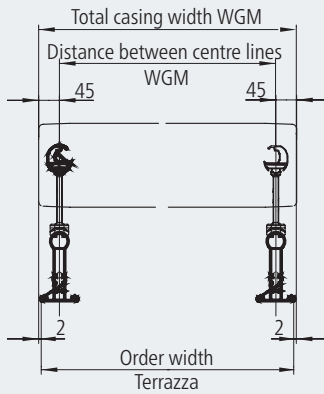
Conservatory awnings – overlay heat protection

Overlay conservatory awnings from weinor protect the Terrazza patio

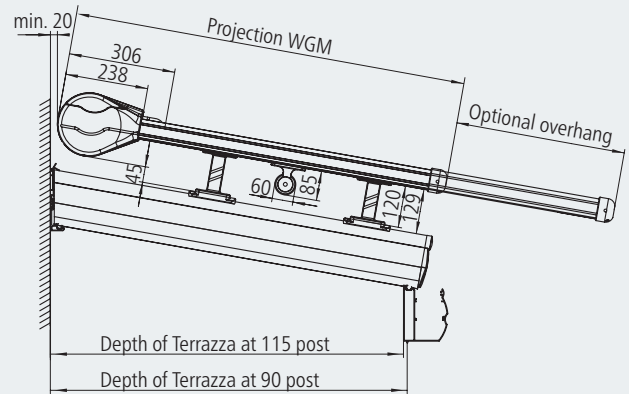
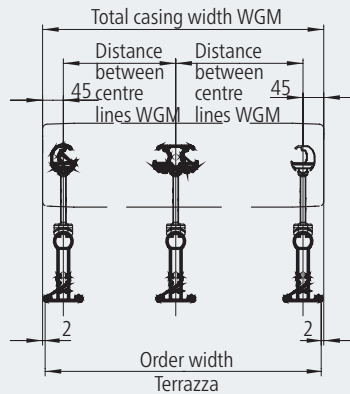
roof or the Glasoase® from excessive heat build-up.

Conservatory awnings 2030 on Terrazza

1-panel unit

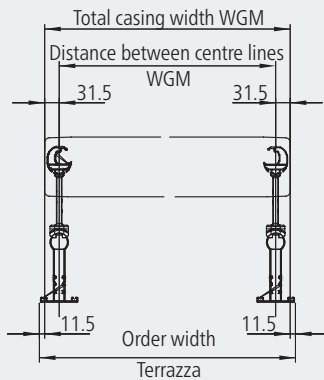


2-panel unit

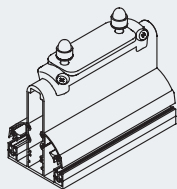
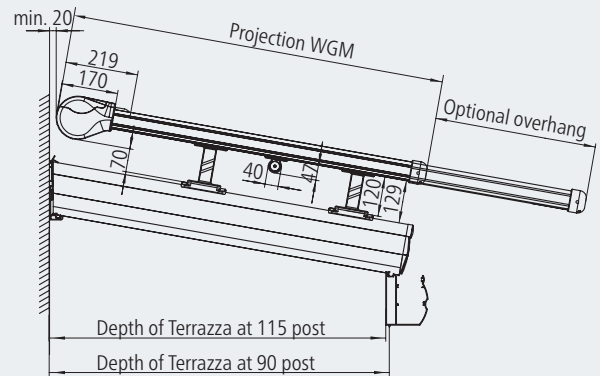
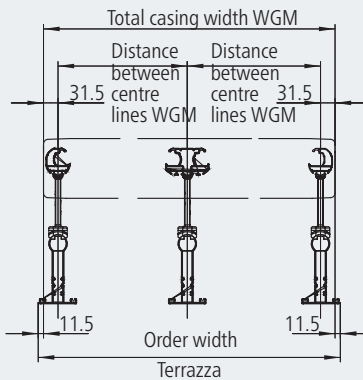


Conservatory awnings 1030 on Terrazza

1-panel unit



2-panel unit



Support bracket arrangement

A support bracket preparation is optionally available for conservatory awnings – perfectly matched, as from one system.

Determining the projection of the conservatory awning

Depth of Terrazza (mm)	1000	1500	2000	2500	3000	3500	4000	4500	5000	5500	6000
Roof pitch 5°	1108	1610	2112	2614	3116	3618	4120	4621	5123	5625	6127
Roof pitch 15°	1134	1652	2170	2687	3205	3723	4240	4758	5275	5793	6311

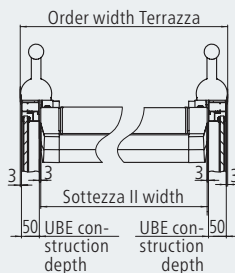


Sottezza II – underlay anti-dazzle

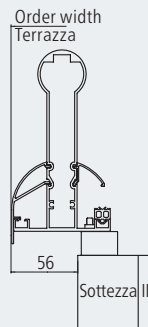
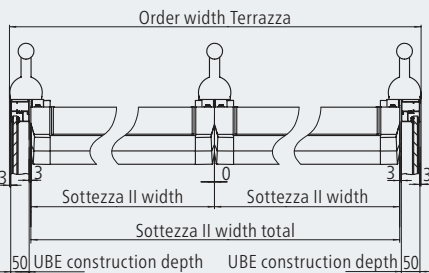
The Sottezza II is the ideal underlay sun protection for the weinor patio roof and for the Glasoase®.

On sunny days, it offers pleasant sun protection and sun protection.

1-panel unit



2-panel unit or two 1-panel units

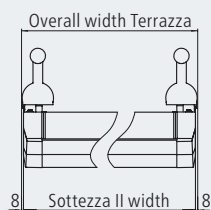


Sottezza II with glazing elements fitted to a freestanding Terrazza

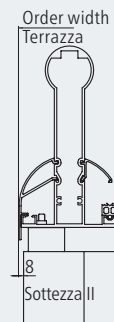
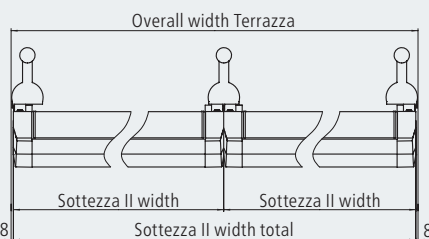
Our recommendation and also ideal for retrofitting:

- Sottezza II indented 50 mm on each side
- standard for orders via Quick & Easy

1-panel unit

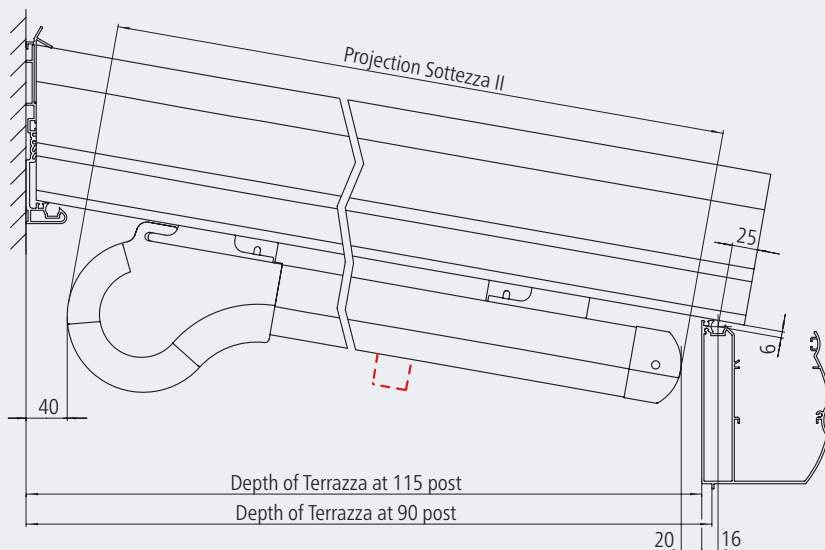


2-panel unit or two 1-panel units



Sottezza II without glazing elements fitted to a freestanding Terrazza

Sottezza II flush outside on the roof support



Side view of the Sottezza II

The sun protection runs below the roof support. Combined with LED light bars or LED Design, the Sottezza II must be mounted using suitable spacers at a spacing of 30 mm to the roof supports.

Determining the projection of the Sottezza II (applies for Terrazza)

Depth of Terrazza (mm)	1000	1500	2000	2500	3000	3500	4000	4500	5000	5500	6000
Roof pitch 5°	940	1442	1944	2445	2947	3449	3951	4453	4955	5457	5959
Roof pitch 15°	959	1476	1994	2512	3029	3547	4064	4582	5100	5617	6135





reddot design award
winner 2009

The Glasoase® – for all-round, transparent protection

The weinor Glasoase® elegant conservatory cooling system comprises a Terrazza patio roof and flexible or fixed, all-glass elements. All system components are available from

weinor. This creates a host of combination options. The most diverse glazing elements offer protection where it is required, and allow the Glasoase® to be opened whenever

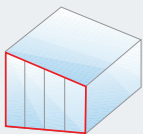
desired – up to a complete opening across all fronts. Considerably extending the patio season.



Fixed-glazing side elements

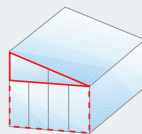
To match the weinor Glasoase®, weinor offers various fixed glass panels – across the entire side or in the triangle below the sideways

patio roof support. The table on P. 30 shows which fixed glazing element can be combined with which flexible element.



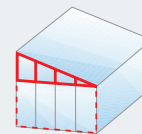
SUPER LITE side element

- maximum transparency
- adds fixed glazing to the Glasoase® design
- very attractively priced
- all-glass fixed glazing under the side Terrazza roof support



LITE side element

- highly transparent
- attractively priced
- fixed glazing below the Terrazza side patio roof support (trapezium), can be combined with flexible floor-mounted all-glass elements



CLASSIC side element

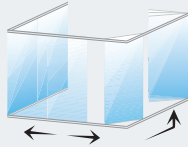
- especially robust and stable
- load-bearing
- very good price-to-performance ratio
- fixed glazing below the Terrazza side patio roof support (trapezium with vertical staves), can be combined with flexible floor-mounted or hanging all-glass elements



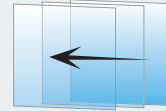
weinor all-glass walls

weinor all-glass walls offers reliable protection against winds as well as rain falling at an angle, while also providing maximum transparency. Depending on the preference and

requirements, the panels either fold away or slide to one side. Every system is suitable for patio roofs, loggias or balconies in principle.



Versatile, all glass sliding revolving door



Easy-glide all glass sliding door

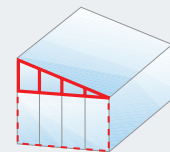
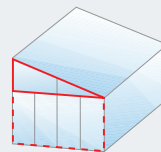
w26-c

w17-c

Recommendation	Balconies	Patio roofs
Features	<ul style="list-style-type: none"> • opens all the way round • slides around corners (swings out) • set of panels fold away to the inside or outside • only one track required • hanging structure • weinor EasyClean feature – individual leafs easily accessible for cleaning on the inside or outside 	<ul style="list-style-type: none"> • open sideways • actuator for easy closing • requires several guide rails • standing structure
Max. width	8,000 mm*	6,600 mm
Max. height	2,400 mm*	2,600 mm

* Larger dimensions available on request

Ways to combine all-glass elements



LITE side element

CLASSIC side element

<p>Versatile, all glass sliding revolving door w26-c</p>	—	○
<p>Easy-glide all glass sliding door w17-c</p>	○	○

○ option — unavailable

weinor Glasoase® highlights

Frameless all-glass elements allow the weinor patio roof to be expanded to the Glasoase®. This creates transparent weather protection with unspoiled

panoramic view to prolong the patio season. All weinor system components fit together perfectly and can be retro-fitted.

Flexible, vertical all-glass elements

enable, depending on the version, partial or complete opening of the Glasoase® – to suit individual requirements



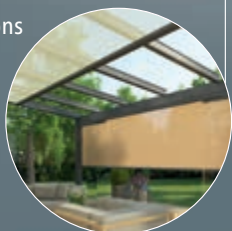
Fixed glazing

for complete sides or sideways trapezium element glazing, can be combined with flexible all-glass elements



Suitable sun protection

Anti-dazzle, heat and visual protection with sun protection solutions upon request



Expandable system

can be retro-fitted by further accessories even after many years, thanks to the modular range:

Patio lighting	10
Patio heating	10
Roof vent	25
BiConnect remote control	13

Awnings



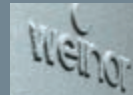
Awning



Awning with Valance Plus and Tempura



Awning with Valance Plus and Paravento



Premium quality
Made in Germany

Pergola awnings



Pergola awning
PergoTex II
and Tempura



Pergola awning
Plaza Home
and Paravento



Pergola awning
Plaza Pro with Paravento
and VertiTex

Customised, systemised solutions

Patio roof and Glasoase®



Glasoase® with
conservatory awning and
all-glass elements



Patio roof with
SUPER LITE fixed glazing



Terrazza patio roof with
Sottezza II sun protection

Patent no			
EP1310609	1541776	EP0916781	0994221
1403442	2072709	EP0959195	1206609
1382770	0745742	EP0942114	1099808

Last revised: 02/2017

The current issue can be found at www.weinor.de/fachpartner/service/downloadcenter

We reserve the right to make technical changes. For technical reasons, the colours may appear slightly different when printed.