



Premium quality
Made in Germany



Versatile, all glass sliding revolving door

Single stack system | Split stack system



Contents

Product Highlight	4
Versions	6
Colours	8
Designs	9
Cross-sections and dimensions	10
All-glass elements in summary	14

Conveniently expand living areas –
the transparent versatile, all glass
sliding revolving door system



The versatile, all glass sliding revolving door from weinor is the elegant wind and weather protection solution for light-flooded balconies and loggias. With its all-glass construction, it offers maximum transparency without troublesome vertical frame sections. It is easy to slide and turn away into the sideways parking position. This saves space and ensures that the panes are easily accessible from inside for cleaning purposes – two “must haves” for use on balconies and loggias. Given adequate structural stability, also for retrofitting on existing patio roofs.

Highlights of weinor versatile, all glass sliding revolving door



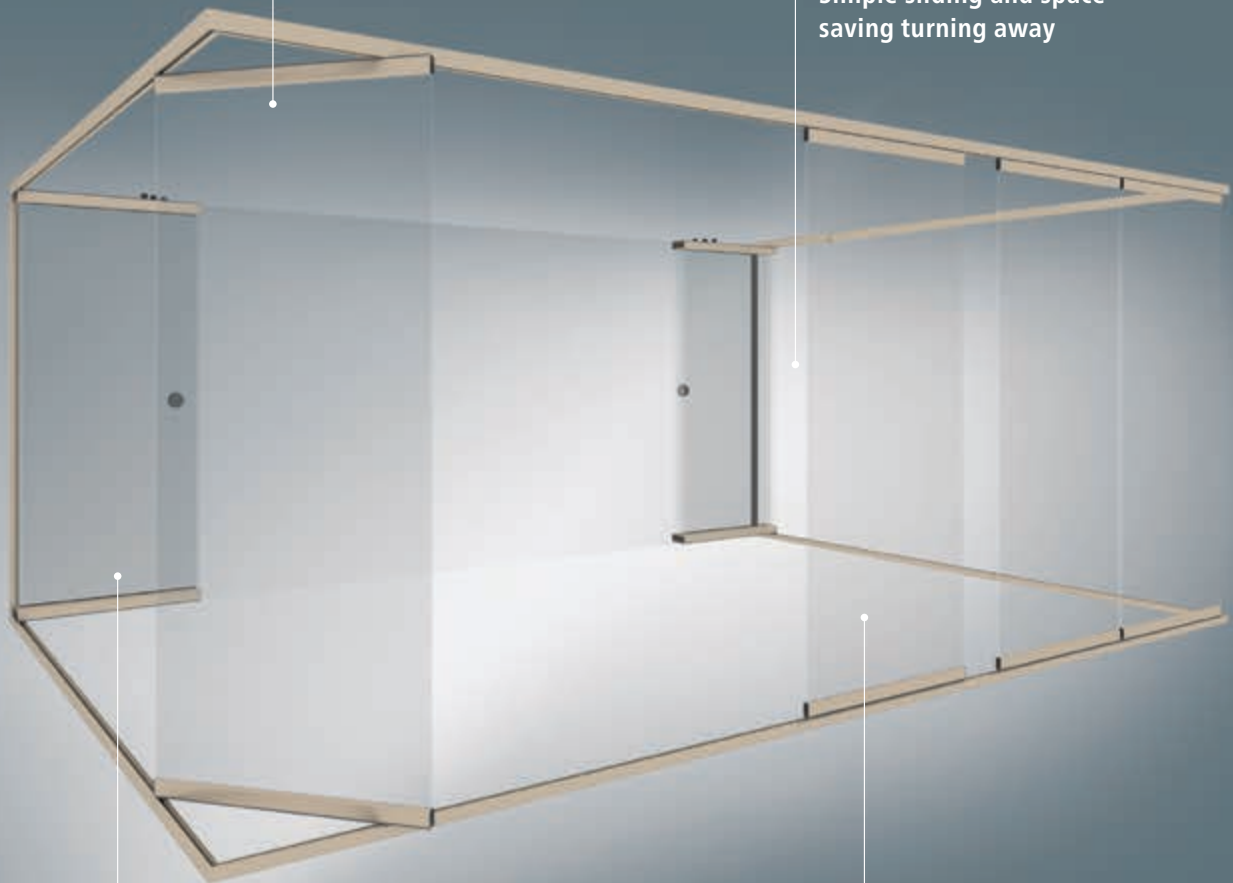
47 frame colours
and 9 trend colours



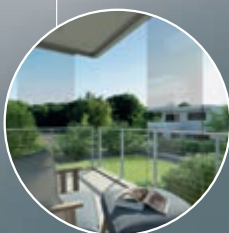
Opening across the corners



Simple sliding and space-saving turning away



Maximum transparency and premium weather protection



Retrofitting



Product benefits in detail

Easy to handle and use: the versatile, all glass sliding revolving door w26-c



Simple sliding and space-saving turning away

The versatile, all glass sliding revolving door runs on just one rail and is very easy to operate.

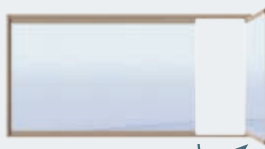
- push glass panels successively into one or both corners, fan out and rotate into the parking position as a set to save space
- simple cleaning of both sides of the individual glass through easy access in the parking position



Opening across the corners – for free fronts all-round

The versatile, all glass sliding revolving door can be fully opened across the corners.

- opening direction as required, to right or left, with split stack systems in both directions
- standard version: door elements guided over 90° or 135° corners
- optional: free determination of the corner angle



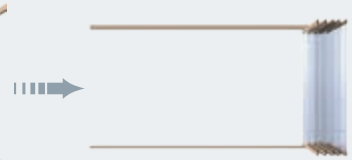
Easy opening of the wall-adjacent elements



The individual elements slide easily without internal protrusion



To slide to the corner (with missing and indented posts or 135° corners)



Open fully



Retrofitting – ideal as balcony and loggia glazing

The versatile, all glass sliding revolving door is a suspended construction.

- ideal solution as balcony and loggia glazing

- also as patio roof glazing given adequate structural stability
- special weinor connection and adjustment profiles for simple retrofitting
- narrow guide rails suitable for most existing balcony railings



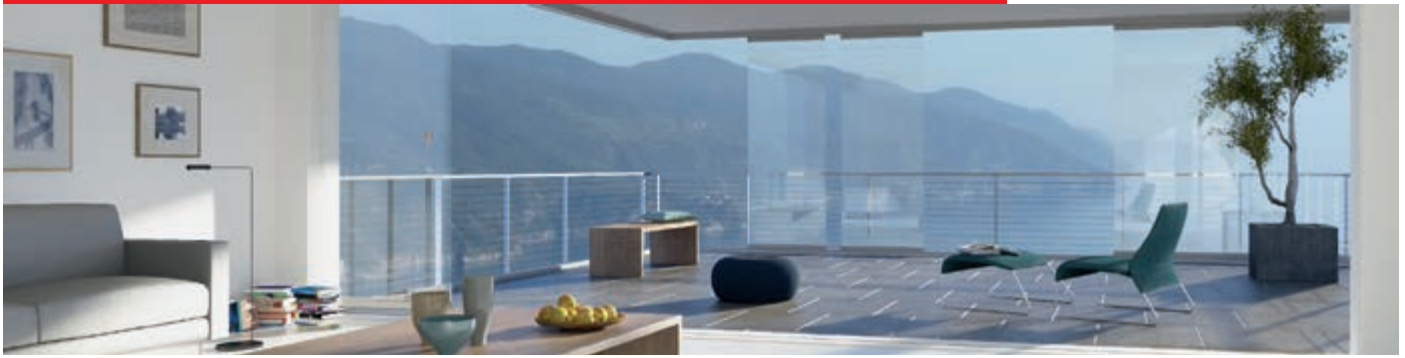
Maximum transparency and premium weather protection

All-round panoramic view:

- all-glass construction with glass retention profiles at top and bottom
- no vertical frames between the door elements

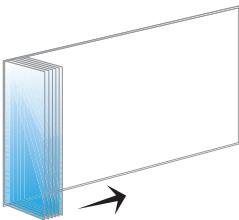
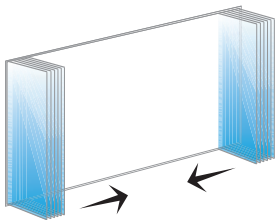
- noticeable noise reduction
- single-pane safety glass in 8 und 10 mm possible
- existing structural standards developed by certified engineering consultancy

Versatile, all glass sliding revolving door versions



- standard
- optional
- unavailable

Details of versatile, all glass sliding revolving door versions

	Single stack system	Split stack system
		
Technology		
Max. width of system	8,000 mm*	16,000 mm*
Max. height of system	2,400 mm*	2,400 mm*
Corner version 90°	○	○
Corner version 135°	○	○
Number of leaves	1 to 10	2 to 20
Opening type	opening to inside as standard, opening to outside as optional	
Glass type	single-pane safety glass in 8 mm, 10 mm	
V2A stainless steel operating handles	●	●
Guide rail type	single-track, 50 mm depth, recessed into ground or mounted on top	
Design		
47 standard colours	●	●
Other RAL colours	○	○
9 trend colours	●	●
Other textured colours	○	○
Accessories		
Gap seals	○	○
Operable from outside	○	○
Lockcase and hung bolt (lockable from the inside)	○	○
Lockcase and hung bolt (locks from either side)	○	○
Additional lock for active leaf	○	○
Sideways frame (optional)	15 mm	15 mm
Height compensation profile (optional)	+ 4 / - 6 mm (fixed adjustment)	+ 4 / - 6 mm (fixed adjustment)
Heat-soak test	○	○
V4A stainless steel operating handles	○	○





Wide range of frame colours – abundance of choices

weinor coats all of its products in its own workshop. This ensures that they have the best-possible colour tonality and identical gloss levels.

- 47 standard RAL frame colours, silk gloss (gloss level $70 \pm 5\%$ when measured at a 60° angle)
- 9 scratchproof, resistant trend colours with a textured look
- over 150 special RAL colours

47 standard frame colours

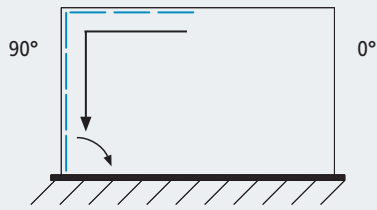
RAL 1002 Sandy yellow	RAL 1003 Signal yellow	RAL 1014 Ivory	RAL 1015 Light ivory	RAL 1023 Traffic yellow	RAL 1034 Pastel yellow	RAL 2000 Yellow orange	RAL 2002 Vermillion	RAL 2011 Deep orange
RAL 3002 Carmine red	RAL 3004 Magenta red	RAL 3007 Black red	RAL 4005 Blue lilac	RAL 4006 Traffic purple	RAL 5005 Signal blue	RAL 5009 Azure blue	RAL 5014 Pigeon blue	RAL 5021 Water blue
RAL 5022 Night blue	RAL 5024 Pastel blue	RAL 6005 Moss green	RAL 6009 Fir green	RAL 6011 Reseda green	RAL 6012 Black green	RAL 7015 Slate grey	RAL 7016 Anthracite grey	RAL 7021 Black grey
RAL 7030 Stone grey	RAL 7032 Pebble grey	RAL 7035 Light grey	RAL 7039 Quartz grey	RAL 7040 Window grey	weinor 7319 weinor grey	RAL 8001 Ochre brown	RAL 8003 Clay brown	RAL 8014 Sepia brown
RAL 8016 Mahogany brown	RAL 8017 Chocolate brown	RAL 8019 Grey brown	RAL 8022 Black brown	weinor 8077 weinor dark brown	RAL 9001 Cream	RAL 9005 Jet black	RAL 9006 White aluminium	RAL 9007 Grey aluminium
RAL 9010 Pure white	RAL 9016 Traffic white							

9 trend colours

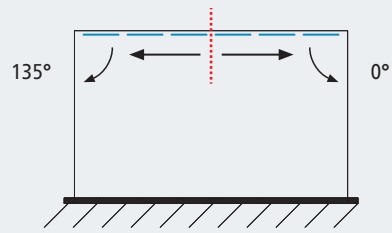
WT 29/10797 Approx. RAL 9010	WT 29/50704 Approx. RAL 6009 metallic	WT 29/60740 Chestnut 04 metallic	WT 29/70786 Sparkling iron effect	WT 29/71289 Approx. RAL 7016	WT 29/80077 Approx. DB 703 metallic	WT 29/80081 Iron glimmer effect P 7	WT 29/90146 Approx. RAL 9006 metallic	WT 29/90147 Approx. RAL 9007 metallic

weinor is an eco-friendly company. To ensure compliance with high environmental standards, manufacturing processes and materials undergo regular testing by experts.

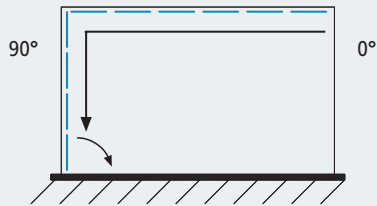
As a result of the ban on the use of heavy metals in powder coatings, paint manufacturers can no longer guarantee colour stability despite making every effort to do so. It therefore cannot be excluded that colours in general, and Fire Red (RAL 3000) in particular, may fade with time. For technical reasons, the colours may appear significantly different when printed.



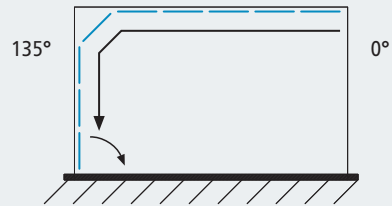
Single stack system opening in both directions, left over 90° corner



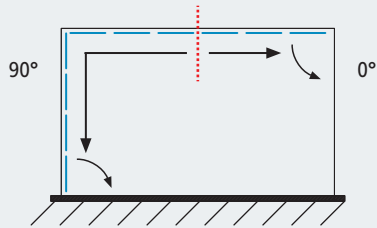
Split stack system opening in both directions



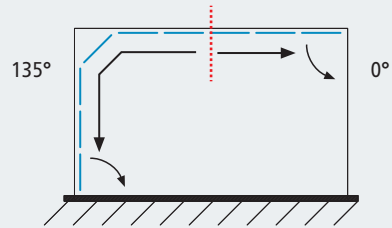
Single stack system opening in both directions, left over 90° corner



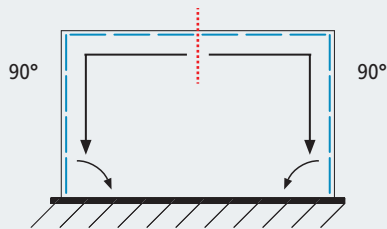
Single stack system opening in both directions, left over 135° corner



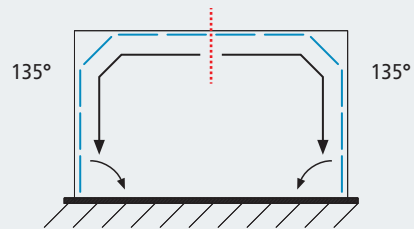
Split stack system opening in both directions, left over 90° corner



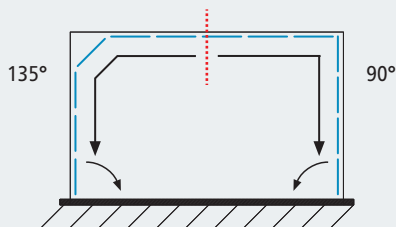
Split stack system opening in both directions, left over 135° corner



Split stack system opening in both directions over 90° corner



Split stack system opening in both directions over 135° corner



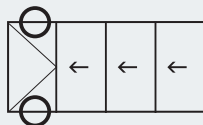
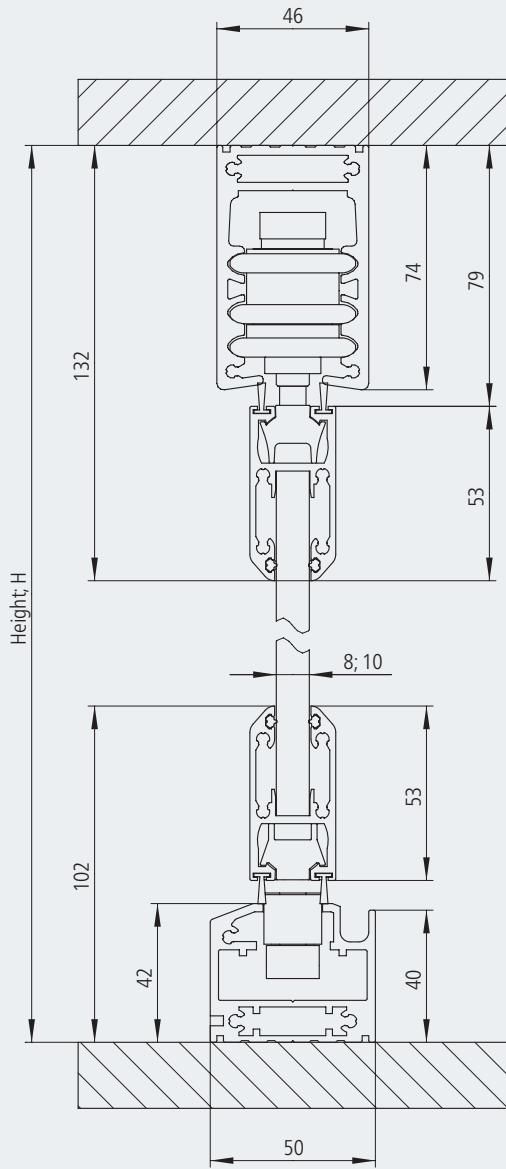
Split stack system opening in both directions, right over 90° corner, left over 135° corner

..... The glass elements can be opened to the left and right from here.

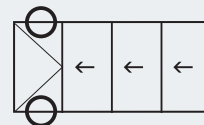
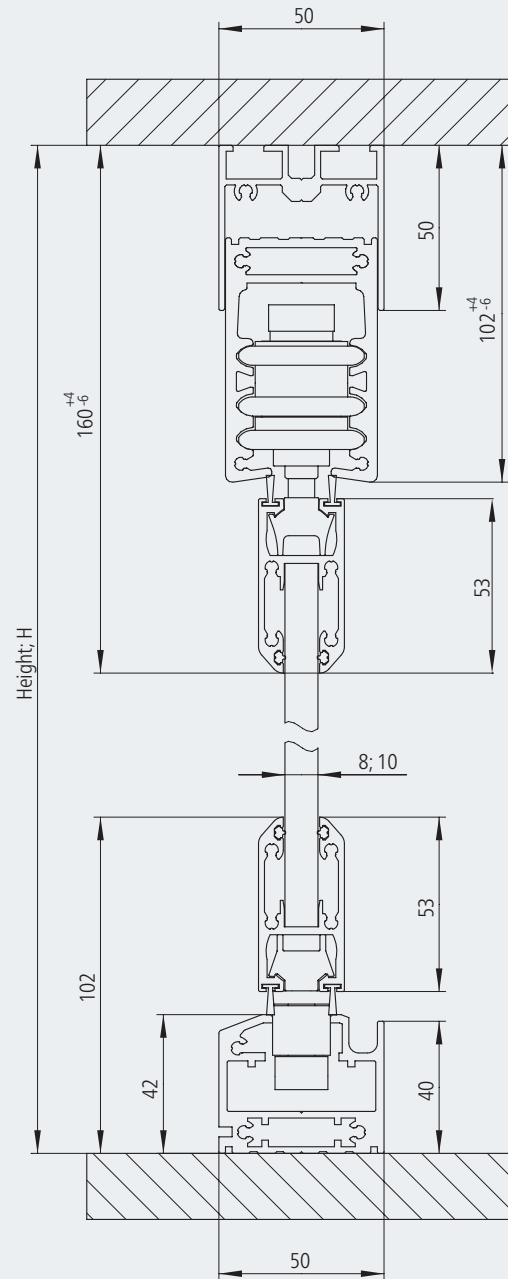
- note: all types of opening can also be opened to the outside
- other designs upon request, usually for an additional charges

Vertical cross-sections

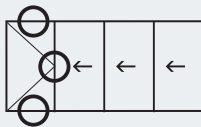
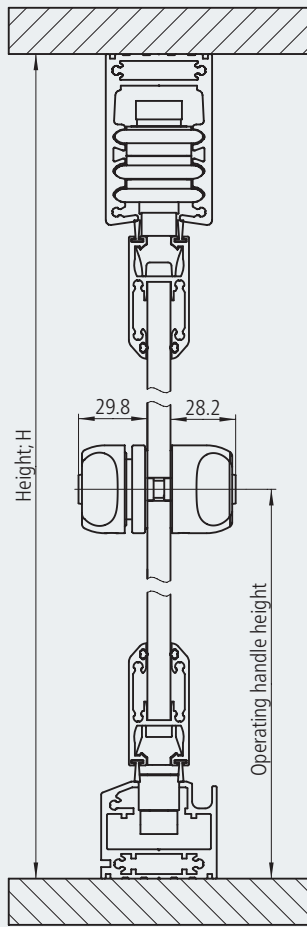
Vertical section w26-c



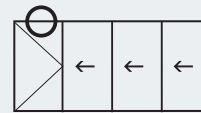
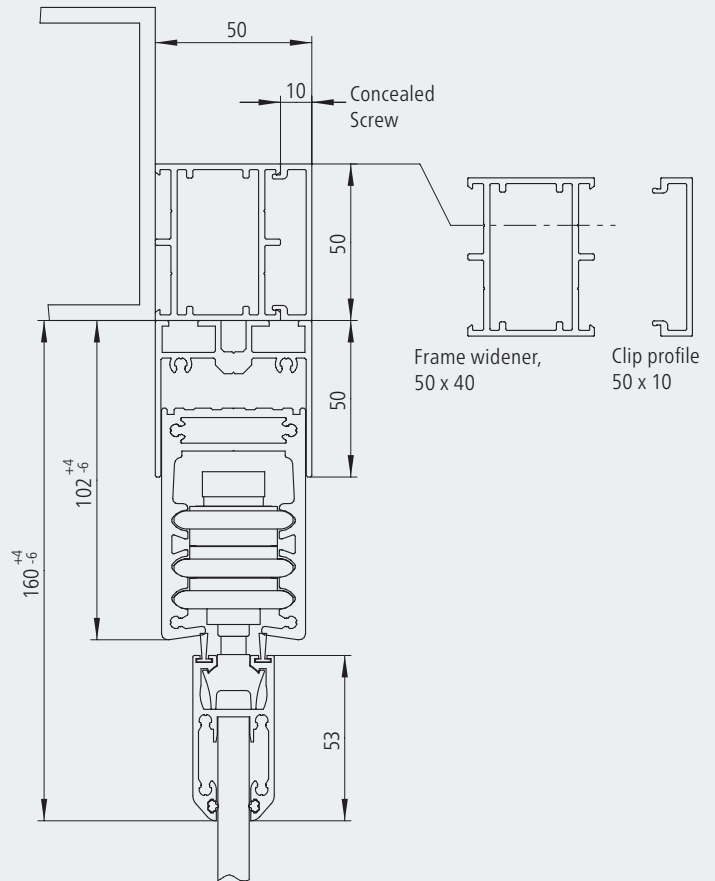
Vertical section w26-c with height compensation profile



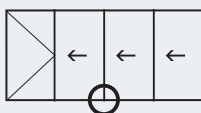
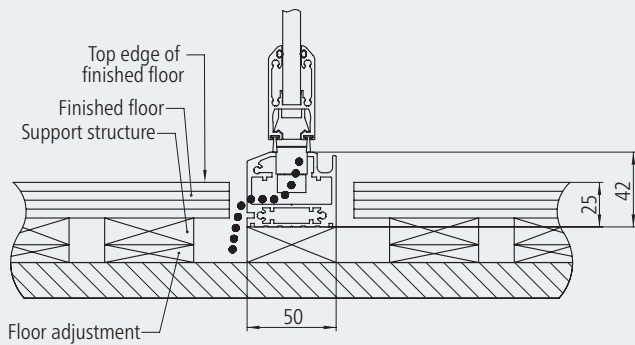
Vertical section w26-c with operating handle



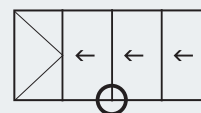
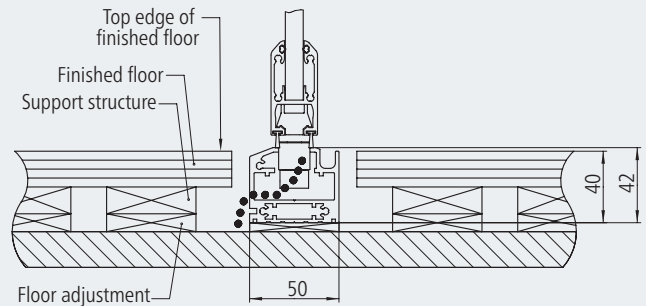
Vertical section provision glazing element



Vertical section spreader bar for corner units

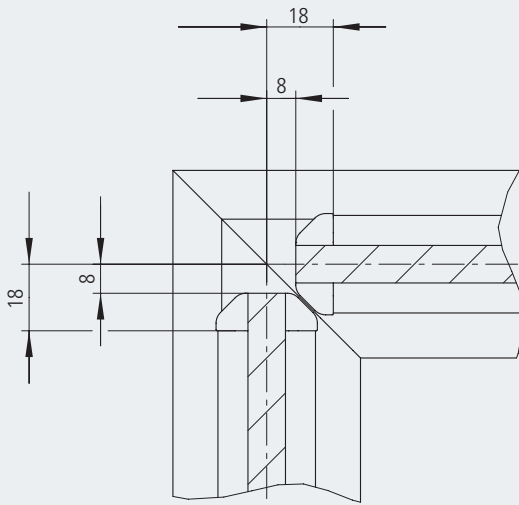


Vertical section spreader bar for straight units

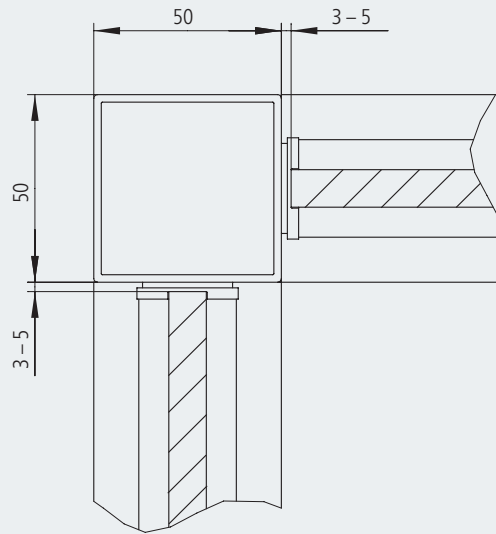


Horizontal cross-sections

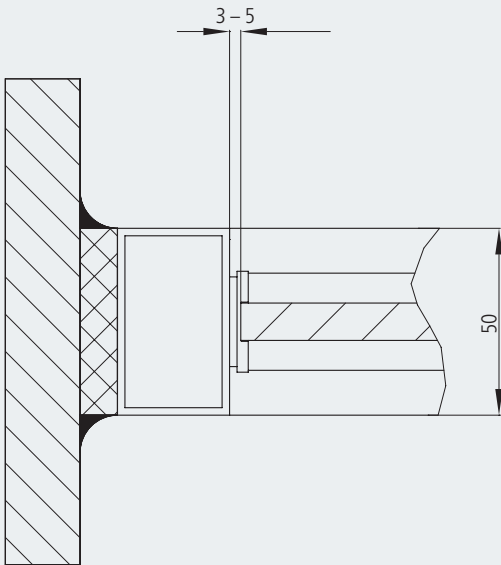
Horizontal cross-section of 90°



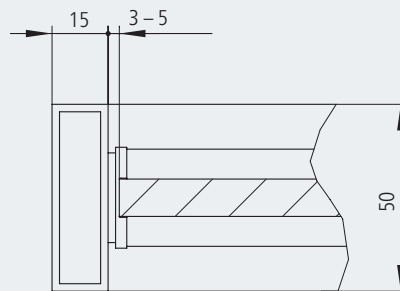
Horizontal section, 2 separate units on the corner profile



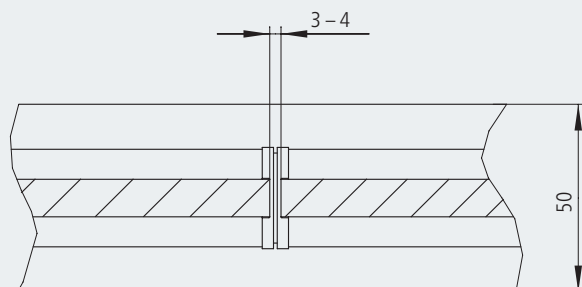
Horizontal wall bracket



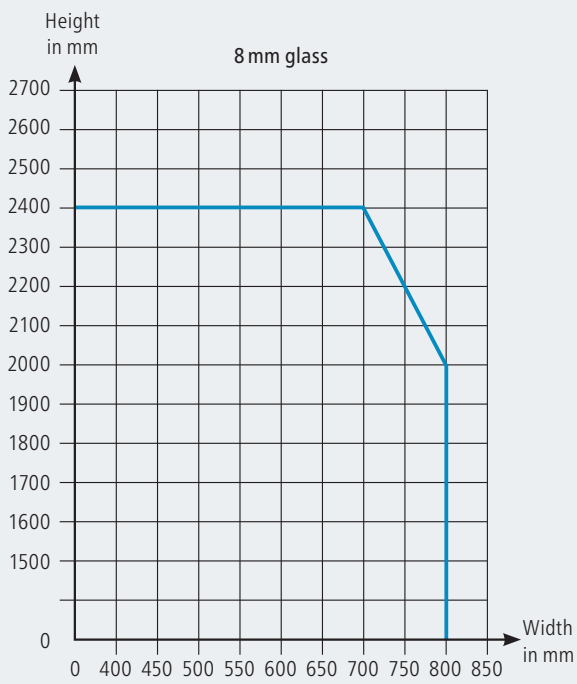
Horizontal cross-section with sideways frame



Horizontal cross-section pane distance



Leaf dimension diagrams



Valid for:

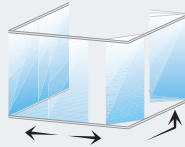
- wind pressure, wind zone 1, inland mixed profile
- w26-c in standard area
- installation height up to 10 m



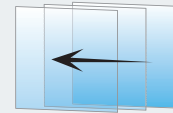
weinor all-glass doors

weinor all-glass doors offers reliable protection against winds as well as rain falling at an angle, while also providing maximum transparency. Depending on the preference and

requirements, the panels either fold away or slide to one side. Every system is suitable for patio roofs, loggias or balconies in principle.



Versatile, all glass sliding revolving door



Easy-glide all glass sliding door

w26-c

w17-c

	w26-c	w17-c
Recommendation	Balconies	Patio roofs
Features	<ul style="list-style-type: none"> • opens all the way round • slides around corners (swings out) • set of panels fold away to the inside or outside • only one track required • hanging structure • weinor EasyClean feature – individual leafs easily accessible for cleaning on the inside or outside 	<ul style="list-style-type: none"> • open sideways • actuator for easy closing • requires several guide rails • standing structure
Max. width	8,000 mm*	6,600 mm
Max. height	2,400 mm*	2,600 mm

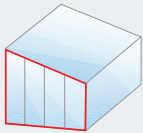
* Larger dimensions available on request

Further information on our flexible all-glass elements can be found in the all-glass vertical element product brochures.

Fixed-glazed side elements

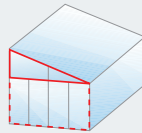
To go with the weinor Glasoase®, weinor offers a variety of fixed glazing elements – ranging from an entire side to a triangular-shaped element below the side patio roof support.

The table below indicates which fixed glazing element can be combined with which flexible element.



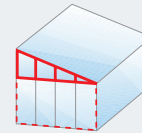
Side element SUPER LITE

- maximum transparency
- adds fixed glazing to the Glasoase® design
- very attractively priced
- all-glass fixed glazing under the side Terrazza roof support



Side element LITE

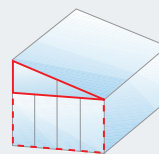
- highly transparent
- attractively priced
- fixed glazing below the Terrazza side patio roof support (trapezium), can be combined with flexible standing all-glass elements



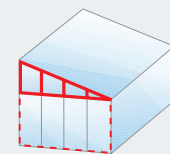
Side element CLASSIC

- especially robust and stable
- load-bearing
- very good price-to-performance ratio
- fixed glazing below the Terrazza side patio roof support (trapezium with vertical staves), can be combined with flexible standing or hanging all-glass elements

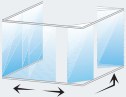

Ways to combine all-glass elements



LITE side element



CLASSIC side element

		LITE side element	CLASSIC side element
	Versatile, all glass sliding revolving door w26-c	—	○
	Easy-glide all glass sliding door w17-c	○	○

○ option — unavailable

Awnings



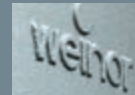
Awning



Awning with Valance Plus and Tempura



Awning with Valance Plus and Paravento



Premium quality
Made in Germany

Pergola awnings



Pergola awning
PergoTex II
and Tempura



Pergola awning
Plaza Home
and Paravento



Pergola awning
Plaza Pro with Paravento
and VertiTex

Customised,
systemised solutions

Patio roof and Glasoase®



Glasoase® with
conservatory awning and
all-glass elements



Patio roof with
SUPER LITE fixed glazing



Terrazza patio roof with
Sottezza II sun protection

Patent no			
EP1310609	1541776	EP0916781	0994221
1403442	2072709	EP0959195	1206609
1382770	0745742	EP0942114	1099808

Last revised: 02/2017

The current issue can be found at www.weinor.de/fachpartner/service/downloadcenter

We reserve the right to make technical changes. For technical reasons, the colours may appear slightly different when printed.