



markilux 5010

The cassette awning – slim, strong and simply stylish

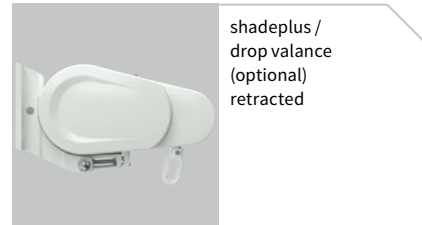
**rated to wind resistance class 2
(corresponds to Beaufort 5)**



side view with awning retracted, face fixture (top fixture is optional)



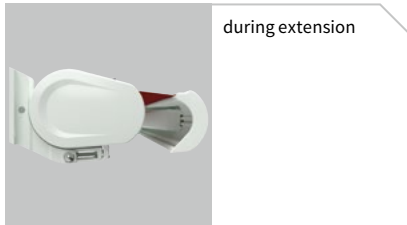
side view with awning retracted showing gearbox eye for manual operation (standard)



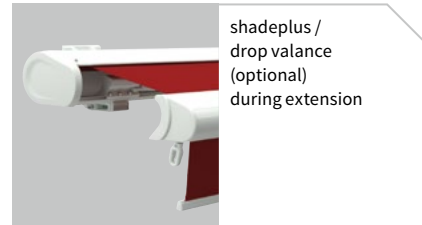
shadeplus / drop valance (optional) retracted



markilux 5010 with wall sealing profile (optional)



during extension



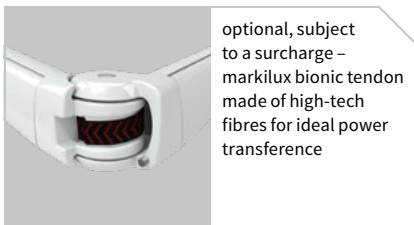
shadeplus / drop valance (optional) during extension



corrosion-resistant and technically proven; twin steel-link chains



pitch adjustment via the fixture brackets



optional, subject to a surcharge – markilux bionic tendon made of high-tech fibres for ideal power transference

Design Features

the slim cassette awning with the elegant contours – from the design studio

the cover profile is in the same colour as the cassette; this provides for a closed appearance even when the awning is extended

attractively shaped, rounded end caps complete the appearance of this slender cassette awning

attractive brackets; design down to the last detail

Technical Specification

in spite of its slender shape the superior design of the markilux 5010 means that it is amongst the sturdiest and most robust of full cassette awnings on the market

the 85 mm roller tube ensures the highest stiffness and the best possible cover winding characteristics even at the largest widths

front profile with integrated gutter and hidden water drainage spouts

when closed the folding arms are protected from the weather by the cassette

Optional Accessories

the shadeplus creates an additional room on the patio. Protection from the sun, the wind and inquisitive glances all in one

radio-controlled motor with radio remote control for ease of use

hard-wired motor operation (optionally with automatic weather controls) for straightforward and easy operation

in the case of manual operation ease of use is ensured with the spring-assisted gearbox

wall sealing profile to cover the gap between awning and wall

awning available in non-standard RAL colours

available with bionic tendon

available with a valance

awnings with 2 folding arms are available with the innovative silentec technology

Lounge colours

off-white textured finish 5233



stone grey metallic 5215



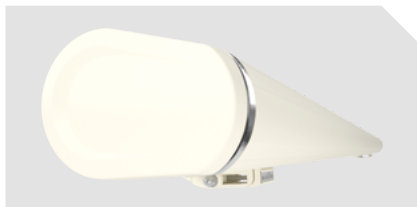
Havana brown textured finish 5229



anthracite metallic 5204



Alternatively front profile end caps can be supplied in polished chrome



Frame colours

| | | standard | optional |
|-----------------------------------|----------|--------------------------|----------|
| traffic white | RAL 9016 | <input type="checkbox"/> | |
| metallic aluminium | RAL 9006 | <input type="checkbox"/> | |
| grey brown, similar to | RAL 8019 | <input type="checkbox"/> | |
| light ivory | RAL 1015 | <input type="checkbox"/> | |
| anthracite metallic | 5204 | <input type="checkbox"/> | |
| stone grey metallic | 5215 | <input type="checkbox"/> | |
| off-white textured finish | 5233 | <input type="checkbox"/> | |
| Havana brown textured finish | 5229 | <input type="checkbox"/> | |
| non-standard powder-coated finish | | | |

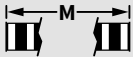
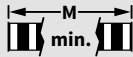







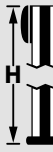
Other end cap colour options

| | standard | optional |
|-----------------|----------|--------------------------|
| polished chrome | | <input type="checkbox"/> |

Colours similar to those in the RAL chart. Colours may differ slightly from those depicted in both hue and finish.

- 01
- 02
- 03
- 04
- 05
- 06
- 07
- 08
- 09
- 10
- 11
- 12
- 13
- 14
- 15
- 16
- 17
- 18
- 19
- 20
- 21
- 22
- 23

Dimensions and configuration options

| | |  | | | | | | | | |  | | | | | | | |
|---|---------------------|---|------------|------------|------------|------------|------------|------------|------------|------------|---|---|---|---|---|---|-----|-----|
| | | 250 | 300 | 350 | 400 | 450 | 500 | 550 | 600 | 650 | 700 ²⁾ |  | | |  | | | |
| | | 187 250 | 251 300 | 301 350 | 351 400 | 401 450 | 451 500 | 501 550 | 551 600 | 601 650 | 651 700 |  |  |  |  |  | | |
|  | 150 | 4) | | | | | | | | | | | | 200 | 187 | 446 | 200 | 187 |
| | 200 | 4) | | | | | | | | | | | | 250 | 237 | 496 | 250 | 237 |
| | 250 | - | 4) | | | | | | | | | | | 300 | 287 | 546 | 300 | 287 |
| | 300 | - | - | 4) | | | | | 3) | 3) | | | | 350 | 337 | 596 | 350 | 338 |
| | 350 ¹⁾ | - | - | - | 4) | | | | | | 2) | | | 400 | 387 | 646 | 400 | 387 |
| | 400 ¹⁾²⁾ | - | - | - | - | 4) | | | | - | - | | | 450 | 437 | 696 | 450 | 437 |

dimensions in cm

 = 
 =  
 =  

- 1) a shadeplus / drop valance is not possible
- 2) awnings with 3 arms or a projection of 400 cm are only available with motor
- 3) with 3 folding arms, if fitted with a shadeplus / drop valance
- 4) please note the minimum widths!

Due to the compact awning construction and depending on the width and the projection, contact between cover and folding arms may occur during extension and retraction. This has no detrimental effect on the functionality and / or durability of the awning.

Operation / Drive

| | standard | optional |
|---|-------------------------------------|---|
| manual operation | <input checked="" type="checkbox"/> | - |
| servo-assisted operation | - | <input checked="" type="checkbox"/> |
| hard-wired motor | - | <input checked="" type="checkbox"/> |
| io radio controls | - | <input checked="" type="checkbox"/> |
| silentec | - | <input checked="" type="checkbox"/> ⁵⁾ |
| radio-controlled motor (433 MHz) | - | <input checked="" type="checkbox"/> |
| radio-controlled motor with manual override 433 MHz | - | <input checked="" type="checkbox"/> ⁵⁾ |

5) in the case of awnings with 2 folding arms

Covers

| | fabric range no. | standard | optional |
|-------------------|------------------------------------|-------------------------------------|-------------------------------------|
| sun silk snc | 324 .. / 328 .. / 369 .. | <input checked="" type="checkbox"/> | - |
| sun silk perla FR | 374 .. | - | <input checked="" type="checkbox"/> |
| sun vas | 310 .. / 311 .. 313 .. — 315 .. | <input checked="" type="checkbox"/> | - |
| sun vas perla | 370 .. | - | <input checked="" type="checkbox"/> |



Coupled units



| | standard | optional |
|-----------------|----------|---|
| 2 fields | - | <input checked="" type="checkbox"/> ⁶⁾ |
| 3 fields | - | <input checked="" type="checkbox"/> |
| junction roller | - | <input checked="" type="checkbox"/> ⁷⁾ |
| one-piece cover | - | <input checked="" type="checkbox"/> ⁸⁾ |


- 6) minimum widths see "Technical Information"
- 7) see overview "Bracket fixture range"
- 8) up to a maximum awning pitch of 15°, up to a maximum projection of 350 cm; without interior cover profile

Shadeplus / Drop valance

| | standard | optional |
|------------------|-------------------------------------|----------|
| manual operation | <input checked="" type="checkbox"/> | - |

 = motor
  = manual operation
 M = awning width

 = no. of folding arms
  = no. of bespoke arms
 M min. = minimum widths

 = no. of rolltex bearings
 H = projection

Miscellaneous

| | standard | optional |
|--|----------|---|
| bionic tendon | — | <input checked="" type="checkbox"/> |
| wall sealing profile | — | <input checked="" type="checkbox"/> ¹⁾ |
| lighting (using the markilux spotlight) | — | <input checked="" type="checkbox"/> |
| insertable side blind | — | <input checked="" type="checkbox"/> |
| light and wind sensor | — | <input checked="" type="checkbox"/> |
| valance | — | <input checked="" type="checkbox"/> |
| infrared heater | — | <input checked="" type="checkbox"/> |
| vibrabox / radio control light sensor Sunis WireFree | — | <input checked="" type="checkbox"/> |

1) up to a maximum awning pitch of 35°

Dimensions and tolerances

| | width | projection |
|---|------------------------------|------------|
| housing tolerances | +5 / -15 mm | ±40 mm |
| awning cover width = awning width | -160 / -180 ²⁾ mm | |
| awning cover length = awning projection | | +150 mm |

2) for awnings with shadeplus / drop valance both for the awning **and** the shadeplus cover

Additional information

The width of the awning cover is always **less** than that of the awning. Please refer cover sizes in the case of coupled units and those with more than 2 arms to us.

Awning pitch range:

from 5° to 35° or 36° to 65° (to the horizontal).

Definition of projection:

Please consult the section “Technical Information”.

In the case of manual operation approximately **16 winding handle revolutions can be assumed per metre of awning projection.**

It takes approximately **12 seconds per metre** to extend the awning in the case of **motor-driven units.**

Definition of shadeplus drop: The shadeplus drop is measured from the bottom edge of the shadeplus profile to the bottom edge of the valance profile. Due to fabric thickness tolerances the actual drop may be shorter than the nominal drop by up to 5 cm. For the maximum shadeplus drops please consult the section “Technical Information”.

A shadeplus is not available with sunsilk perla FR, sunvas perla or PVC covers.

Coupled folding-arm awnings are available up to a **max. of 3 single units** side by side, however only with a maximum of 6 folding arms and **only operated by motor.**

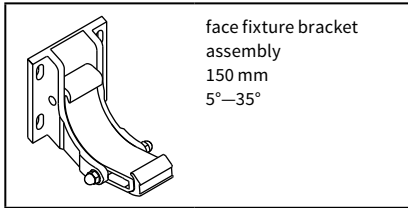
A coupled unit is available with **junction roller.** Pattern repeat mismatches are possible in the case of junction roller covers. A junction roller may not fit when the projection is the maximum for the width of each awning. (see also the section on “Installation”, the arm separation table).

If coupled awnings are fitted into a **recess or reveal** the overall width of the coupled awning must be at least 6 cm less than the width of the opening to allow the awning to be coupled.

A radio-controlled motor in io technology is available (see “Optional Accessories”), but io control is not available for the spotlight.

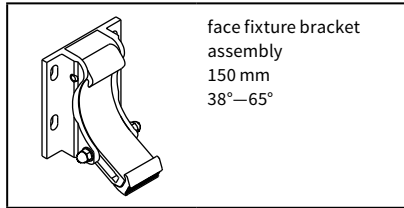
01
02
03
04
05
06
07
08
09
10
11
12
13
14
15
16
17
18
19
20
21
22
23

Fixtures, fittings and accessories



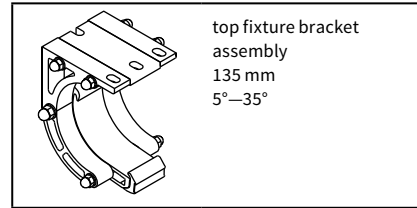
face fixture bracket assembly
150 mm
5°–35°

77921.



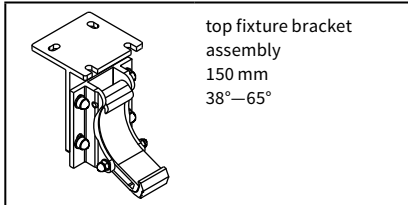
face fixture bracket assembly
150 mm
38°–65°

77936.



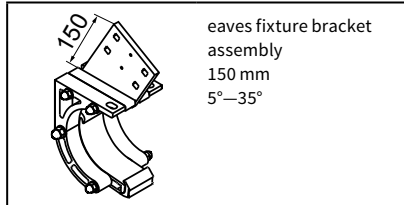
top fixture bracket assembly
135 mm
5°–35°

77937.



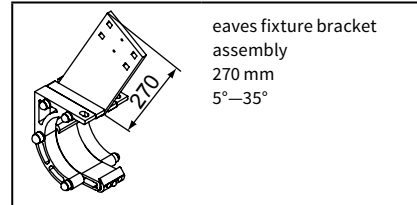
top fixture bracket assembly
150 mm
38°–65°

77938.



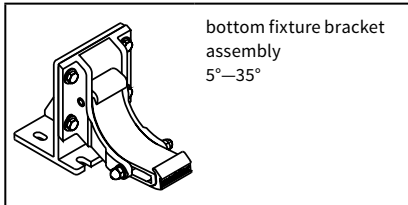
eaves fixture bracket assembly
150 mm
5°–35°

77939.



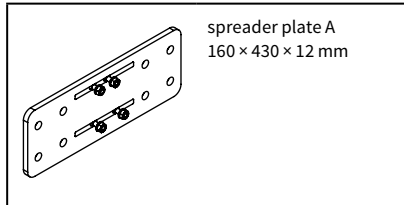
eaves fixture bracket assembly
270 mm
5°–35°

77940.



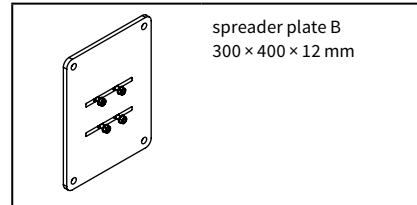
bottom fixture bracket assembly
5°–35°

77941.



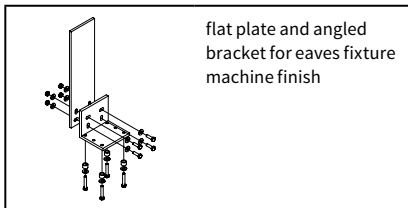
spreader plate A
160 × 430 × 12 mm

75328.



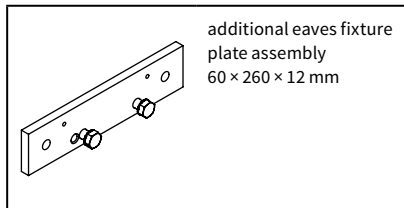
spreader plate B
300 × 400 × 12 mm

75327.



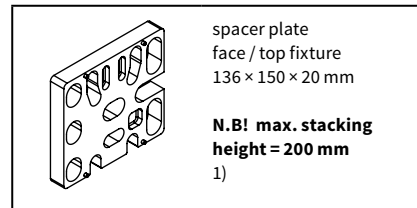
flat plate and angled bracket for eaves fixture machine finish

741290



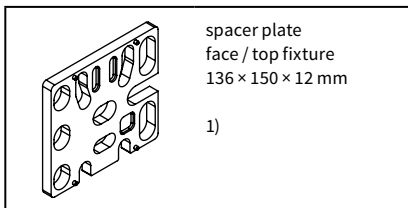
additional eaves fixture plate assembly
60 × 260 × 12 mm

75383.



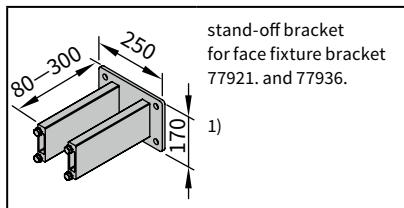
spacer plate face / top fixture
136 × 150 × 20 mm
N.B! max. stacking height = 200 mm 1)

716331



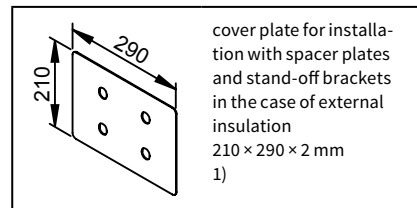
spacer plate face / top fixture
136 × 150 × 12 mm
1)

71644.



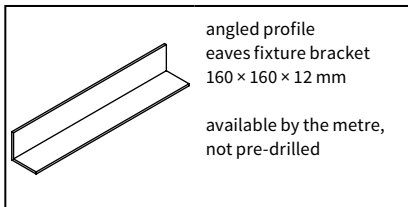
stand-off bracket for face fixture bracket 77921. and 77936.
1)

77969.



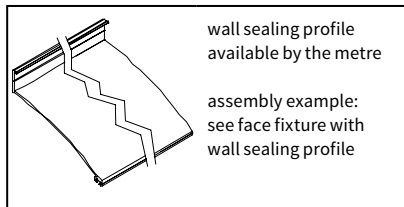
cover plate for installation with spacer plates and stand-off brackets in the case of external insulation
210 × 290 × 2 mm
1)

71841.



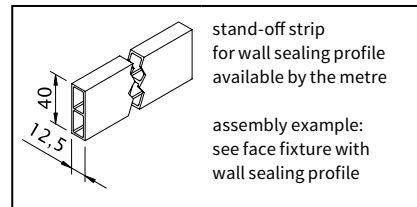
angled profile eaves fixture bracket
160 × 160 × 12 mm
available by the metre, not pre-drilled

701809



wall sealing profile available by the metre
assembly example: see face fixture with wall sealing profile

77780.



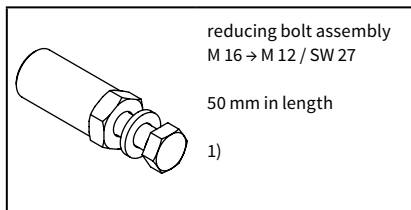
stand-off strip for wall sealing profile available by the metre
assembly example: see face fixture with wall sealing profile

751971

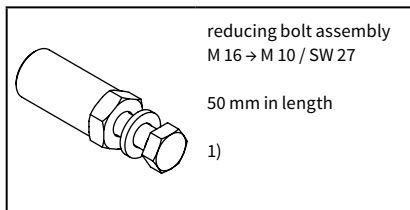
1) please refer to the section "Technical Information"

. = insert RAL colour code no

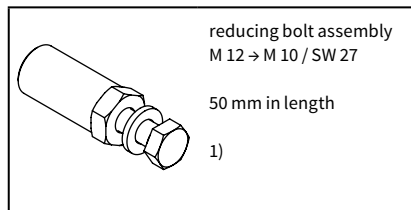
Fixtures, fittings and accessories



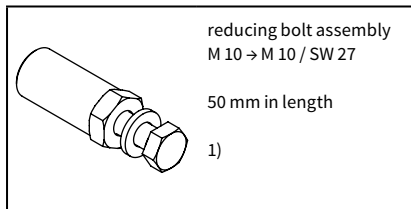
753891



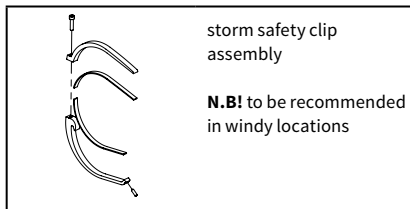
754921



754911



754901



76903.

. = insert RAL colour code no

1) please refer to the section "Technical Information"

- 01
- 02
- 03
- 04
- 05**
- 06
- 07
- 08
- 09
- 10
- 11
- 12
- 13
- 14
- 15
- 16
- 17
- 18
- 19
- 20
- 21
- 22
- 23

Face fixture

Pull-out force [N=Newton] per upper fixing point according to EN 13561, wind resistance class 2

Compression-proof substrate
M [cm]

| | | | | | | | | | |
|-----|-----|-----|-----|-----|-----|-----|-----|-----|-----|
| 250 | 300 | 350 | 400 | 450 | 500 | 550 | 600 | 650 | 700 |
|-----|-----|-----|-----|-----|-----|-----|-----|-----|-----|

H [cm]

FB [N]

| | | | | | | | | | | |
|-----|-----|------|------|------|------|------|------|------|------|------|
| 150 | 505 | 583 | 661 | 739 | 816 | 894 | 972 | 1050 | 1127 | 935 |
| 200 | 834 | 957 | 1079 | 1202 | 1324 | 1447 | 1569 | 1692 | 1815 | 1603 |
| 250 | — | 1364 | 1541 | 1717 | 1894 | 2071 | 2247 | 2424 | 2937 | 2622 |
| 300 | — | — | 2079 | 2319 | 2559 | 2799 | 3447 | 3726 | 4004 | 3597 |
| 350 | — | — | — | 3101 | 3415 | 4231 | 4596 | 4961 | 4653 | 4929 |
| 400 | — | — | — | — | 4874 | 5337 | 5801 | — | — | 6233 |

Non compression-proof substrate
M [cm]

| | | | | | | | | | |
|-----|-----|-----|-----|-----|-----|-----|-----|-----|-----|
| 250 | 300 | 350 | 400 | 450 | 500 | 550 | 600 | 650 | 700 |
|-----|-----|-----|-----|-----|-----|-----|-----|-----|-----|

FB [N]

| | | | | | | | | | |
|-----|------|------|------|------|------|------|------|------|------|
| 578 | 667 | 756 | 845 | 934 | 1023 | 1112 | 1201 | 1290 | 1070 |
| 955 | 1095 | 1235 | 1376 | 1516 | 1656 | 1796 | 1936 | 2077 | 1834 |
| — | 1561 | 1763 | 1965 | 2167 | 2370 | 2572 | 2774 | 3361 | 3001 |
| — | — | 2379 | 2654 | 2929 | 3204 | 3945 | 4264 | 4582 | 4117 |
| — | — | — | 3549 | 3908 | 4842 | 5260 | 5678 | 5326 | 5642 |
| — | — | — | — | 5578 | 6108 | 6638 | — | — | 7133 |

| | | | |
|----------|------------|------------|------------|
| HT BHT | 2 150 mm | 3 150 mm | 4 150 mm |
|----------|------------|------------|------------|

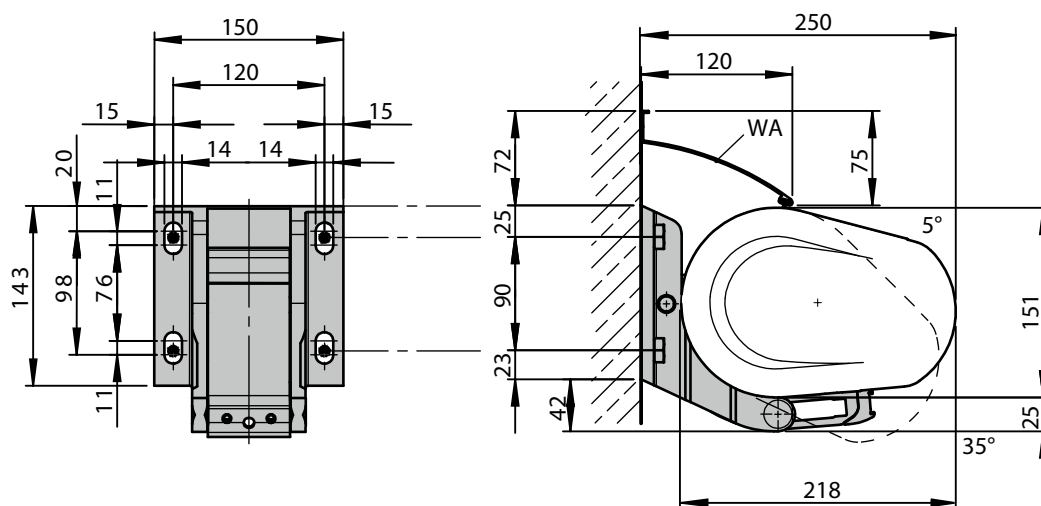
| | | |
|------------|------------|------------|
| 2 150 mm | 3 150 mm | 4 150 mm |
|------------|------------|------------|

| | | | |
|----|---|----|----|
| BM | 8 | 12 | 16 |
|----|---|----|----|

| | | |
|---|----|----|
| 8 | 12 | 16 |
|---|----|----|

The pull-out force refers to the vertical centre to centre measurement between the fixture points of **90 mm**. If this measurement is reduced to the minimum, the pull-out force increases by **2%** in the case of **compression-proof substrates** and by **19%** in the case of **non compression-proof substrates**.

- M = awning width
- H = projection
- FB = pull-out force per fixing point
- HT | BHT = bracket quantity | width
- BM = no. of fixing points
- WA = wall sealing profile



dimensions in mm

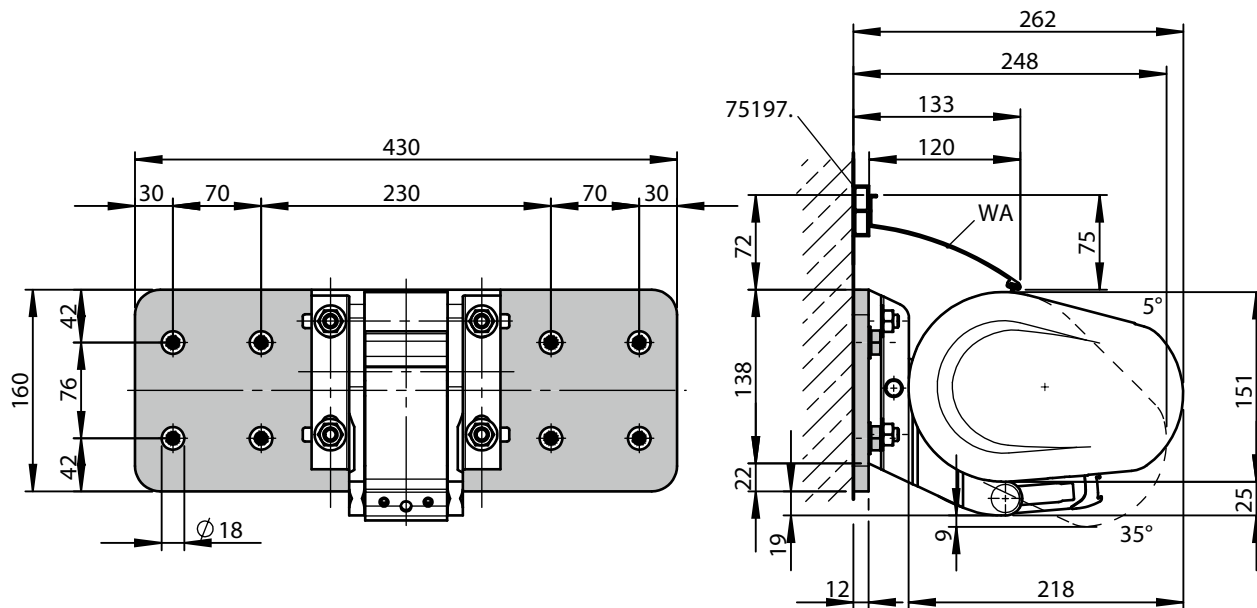
Face fixture with spreader plate A

Pull-out force [N=Newton] per upper fixing point according to EN 13561, wind resistance class 2

| Compression-proof substrate | | | | | | | | | | Non compression-proof substrate | | | | | | | | | | |
|-----------------------------|------------|-----|-----|------------|------|------|------------|------|------|---------------------------------|-----|-----|------------|------|------|------------|------|------|------|------|
| M [cm] | | | | | | | | | | M [cm] | | | | | | | | | | |
| H [cm] | | | | | | | | | | FB [N] | | | | | | | | | | |
| 250 | 300 | 350 | 400 | 450 | 500 | 550 | 600 | 650 | 700 | 250 | 300 | 350 | 400 | 450 | 500 | 550 | 600 | 650 | 700 | |
| 150 | 244 | 282 | 319 | 357 | 394 | 432 | 469 | 507 | 544 | 428 | 347 | 400 | 453 | 507 | 560 | 613 | 667 | 720 | 773 | 608 |
| 200 | 402 | 461 | 520 | 579 | 638 | 697 | 756 | 815 | 874 | 725 | 571 | 655 | 739 | 822 | 906 | 990 | 1074 | 1158 | 1241 | 1031 |
| 250 | - | 656 | 741 | 825 | 910 | 995 | 1080 | 1165 | 1412 | 1195 | - | 932 | 1052 | 1173 | 1294 | 1414 | 1535 | 1655 | 2006 | 1699 |
| 300 | - | - | 998 | 1113 | 1229 | 1344 | 1655 | 1789 | 1922 | 1641 | - | - | 1418 | 1582 | 1746 | 1910 | 2352 | 2542 | 2732 | 2332 |
| 350 | - | - | - | 1488 | 1638 | 2030 | 2205 | 2380 | 2100 | 2233 | - | - | - | 2114 | 2328 | 2884 | 3133 | 3382 | 2985 | 3174 |
| 400 | - | - | - | - | 2337 | 2559 | 2781 | - | - | 2827 | - | - | - | - | 3320 | 3636 | 3952 | - | - | 4017 |
| HT BHT | 2 150 mm | | | 3 150 mm | | | 4 150 mm | | | 2 150 mm | | | 3 150 mm | | | 4 150 mm | | | | |
| BP | 2 | | | 2 | | | 3 | | | 2 | | | 2 | | | 3 | | | | |
| DP | - | | | 1 | | | 1 | | | - | | | 1 | | | 1 | | | | |
| BM | 16 | | | 12 | | | 28 | | | 16 | | | 20 | | | 28 | | | | |

The pull-out force refers to the vertical centre to centre measurement between the fixing points of 76 mm. In the case of spreader plates a washer conforming to DIN 9021 must be used.

- M = awning width
- H = projection
- FB = pull-out force per fixing point
- HT | BHT = bracket quantity | width
- BP = no. of spreader plates
- DP = no. of spacer plates
- BM = no. of fixing points
- WA = wall sealing profile
- 75197. = stand-off strip for wall sealing profile



dimensions in mm

- 01
- 02
- 03
- 04
- 05
- 06
- 07
- 08
- 09
- 10
- 11
- 12
- 13
- 14
- 15
- 16
- 17
- 18
- 19
- 20
- 21
- 22
- 23

Face fixture with spreader plate B

Pull-out force [N=Newton] per upper fixing point according to EN 13561, wind resistance class 2

compression-proof substrate
M [cm]

| | | | | | | | | | |
|-----|-----|-----|-----|-----|-----|-----|-----|-----|-----|
| 250 | 300 | 350 | 400 | 450 | 500 | 550 | 600 | 650 | 700 |
|-----|-----|-----|-----|-----|-----|-----|-----|-----|-----|

| H [cm] | FB [N] | | | | | | | | | |
|--------|--------|-----|-----|-----|------|------|------|------|------|------|
| 150 | 144 | 167 | 189 | 211 | 233 | 255 | 278 | 300 | 322 | 253 |
| 200 | 238 | 273 | 308 | 342 | 377 | 412 | 447 | 482 | 517 | 429 |
| 250 | - | 388 | 438 | 488 | 538 | 589 | 639 | 689 | 835 | 707 |
| 300 | - | - | 591 | 659 | 727 | 795 | 979 | 1059 | 1138 | 971 |
| 350 | - | - | - | 880 | 969 | 1201 | 1305 | 1408 | 1243 | 1322 |
| 400 | - | - | - | - | 1383 | 1514 | 1646 | - | - | 1673 |

non compression-proof substrate
M [cm]

| | | | | | | | | | |
|-----|-----|-----|-----|-----|-----|-----|-----|-----|-----|
| 250 | 300 | 350 | 400 | 450 | 500 | 550 | 600 | 650 | 700 |
|-----|-----|-----|-----|-----|-----|-----|-----|-----|-----|

| H [cm] | FB [N] | | | | | | | | | |
|--------|--------|-----|-----|-----|------|------|------|------|------|------|
| 150 | 151 | 174 | 197 | 220 | 243 | 266 | 289 | 313 | 336 | 264 |
| 200 | 248 | 284 | 321 | 357 | 394 | 430 | 466 | 503 | 539 | 448 |
| 250 | - | 405 | 457 | 509 | 562 | 614 | 667 | 719 | 871 | 738 |
| 300 | - | - | 616 | 687 | 758 | 829 | 1021 | 1104 | 1186 | 1013 |
| 350 | - | - | - | 918 | 1011 | 1253 | 1361 | 1469 | 1296 | 1378 |
| 400 | - | - | - | - | 1442 | 1579 | 1716 | - | - | 1744 |

| HT BHT | 2 150 mm | 3 150 mm | 4 150 mm |
|----------|------------|------------|------------|
|----------|------------|------------|------------|

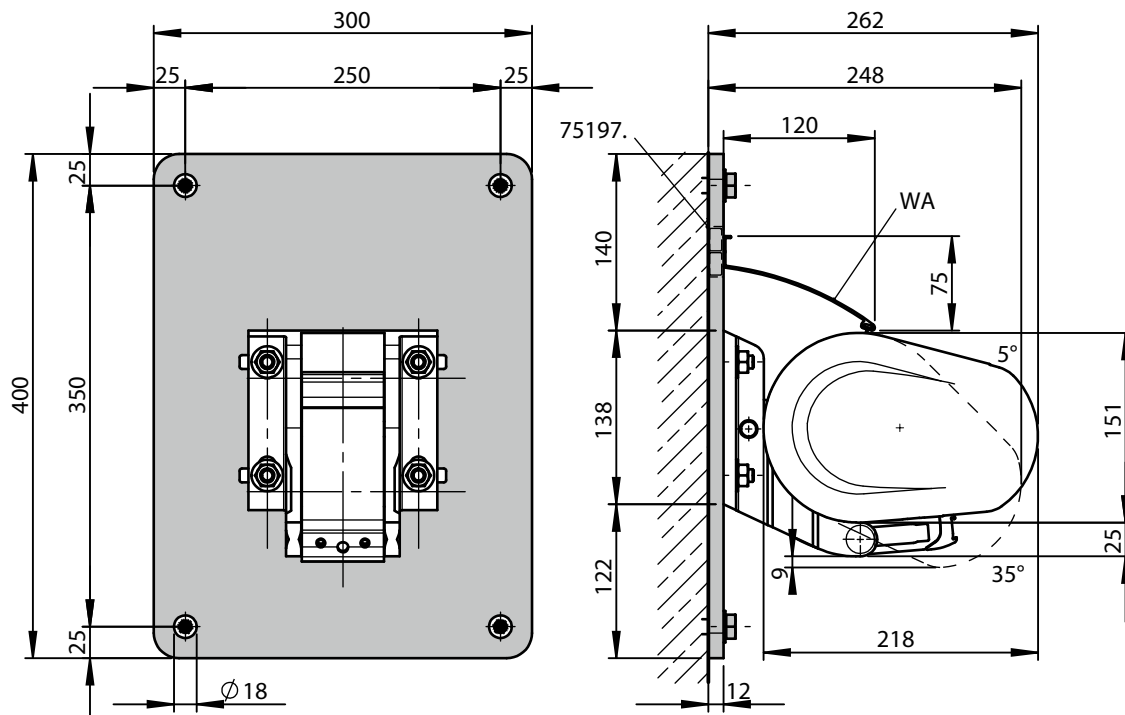
| HT BHT | 2 150 mm | 3 150 mm | 4 150 mm |
|----------|------------|------------|------------|
|----------|------------|------------|------------|

| BP | 2 | 2 | 3 |
|----|---|----|----|
| DP | - | 1 | 1 |
| BM | 8 | 12 | 16 |

| BP | 2 | 2 | 3 |
|----|---|----|----|
| DP | - | 1 | 1 |
| BM | 8 | 12 | 16 |

The pull-out force refers to the vertical centre to centre measurement between the fixing points of **350 mm**. In the case of spreader plates a washer conforming to DIN 9021 must be used.

- M = awning width
- H = projection
- FB = pull-out force per fixing point
- HT | BHT = bracket quantity | width
- BP = no. of spreader plates
- DP = no. of spacer plates
- BM = no. of fixing points
- 75197. = stand-off strip for wall sealing profile



dimensions in mm

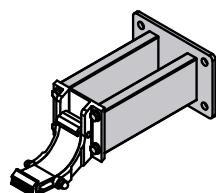
Face fixture using stand-off brackets

Pull-out force [N=Newton] per upper fixing point according to EN 13561, wind resistance class 2

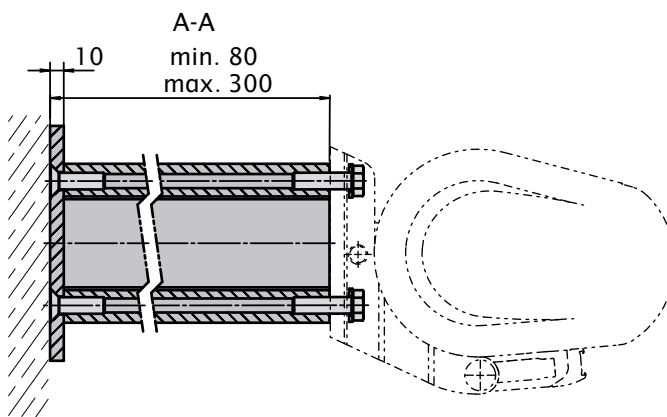
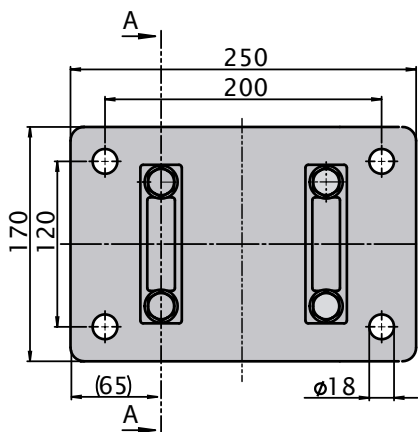
| compression-proof substrate | | | | | | | | | | | non compression-proof substrate | | | | | | | | | | |
|-----------------------------|------------|------|------|------------|------|------|------------|------|------|------|---------------------------------|------|------|------------|------|------|------------|------|------|------|--|
| M [cm] | | | | | | | | | | | M [cm] | | | | | | | | | | |
| H [cm] | | | | | | | | | | | FB [N] | | | | | | | | | | |
| 250 | 300 | 350 | 400 | 450 | 500 | 550 | 600 | 650 | 700 | | 250 | 300 | 350 | 400 | 450 | 500 | 550 | 600 | 650 | 700 | |
| 150 | 506 | 583 | 659 | 736 | 813 | 890 | 966 | 1043 | 1120 | 881 | 569 | 656 | 742 | 828 | 915 | 1001 | 1087 | 1174 | 1260 | 991 | |
| 200 | 793 | 909 | 1024 | 1139 | 1254 | 1369 | 1485 | 1600 | 1715 | 1424 | 893 | 1022 | 1152 | 1281 | 1411 | 1541 | 1670 | 1800 | 1929 | 1602 | |
| 250 | - | 1250 | 1411 | 1572 | 1733 | 1893 | 2054 | 2215 | 2691 | 2278 | - | 1406 | 1587 | 1768 | 1949 | 2130 | 2311 | 2492 | 3027 | 2563 | |
| 300 | - | - | 1857 | 2070 | 2284 | 2497 | 3082 | 3331 | 3579 | 3054 | - | - | 2089 | 2329 | 2569 | 2810 | 3467 | 3747 | 4026 | 3436 | |
| 350 | - | - | - | 2719 | 2992 | 3714 | 4033 | 4353 | 3841 | 4084 | - | - | - | 3059 | 3366 | 4178 | 4538 | 4897 | 4321 | 4595 | |
| 400 | - | - | - | - | 4215 | 4615 | 5015 | - | - | 5097 | - | - | - | - | 4742 | 5192 | 5642 | - | - | 5734 | |
| HT BHT | 2 150 mm | | | 3 150 mm | | | 4 150 mm | | | | 2 150 mm | | | 3 150 mm | | | 4 150 mm | | | | |
| DH 77969. | 2 | | | 3 | | | 4 | | | | 2 | | | 3 | | | 4 | | | | |
| BM | 8 | | | 12 | | | 16 | | | | 8 | | | 12 | | | 16 | | | | |

The pull-out force refers to the vertical centre to centre measurement between the fixing points of **120 mm**. In the case of stand-off brackets a washer conforming to DIN 9021 must be used.

- M = awning width
- H = projection
- FB = pull-out force per fixing point
- HT | BHT = bracket quantity | width
- BM = no. of fixing points
- DH = no. of stand-off brackets
- 75970. = stand-off brackets for face fixture brackets 77921. and 77936.



77969.



dimensions in mm

01
02
03
04
05
06
07
08
09
10
11
12
13
14
15
16
17
18
19
20
21
22
23

Face fixture with shadeplus / drop valance

Pull-out force [N=Newton] per upper fixing point according to EN 13561, wind resistance class 2

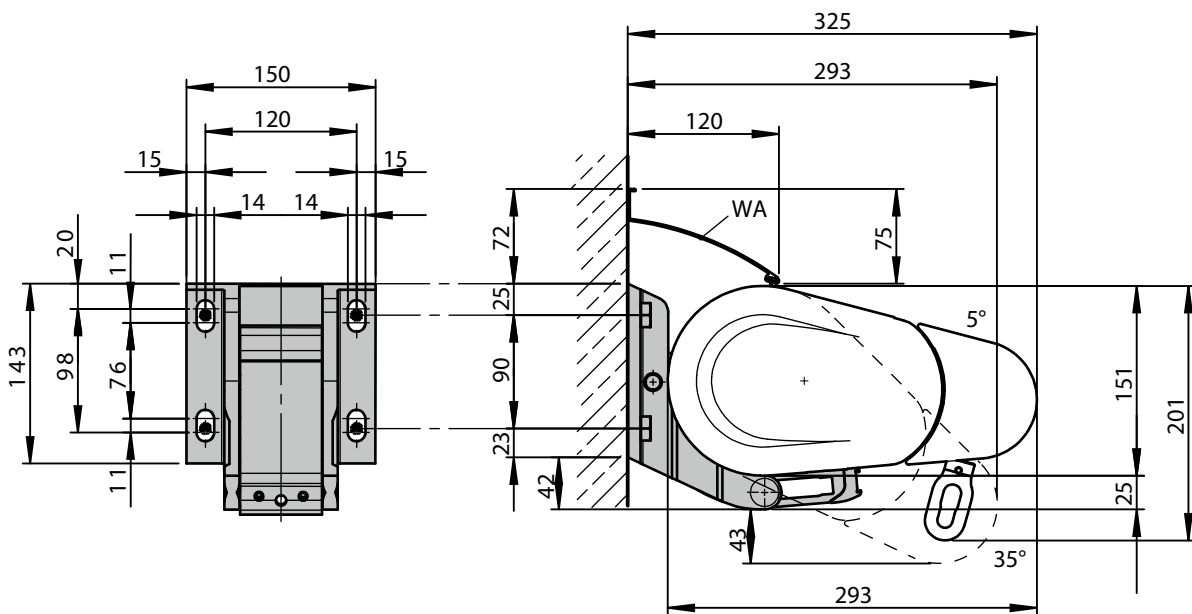
compression-proof substrate
M [cm]

non compression-proof substrate
M [cm]

| H [cm] | compression-proof substrate | | | | | | | | | | non compression-proof substrate | | | | | | | | | |
|-----------------|-----------------------------|------|------|------------|------|------|------------|------|------|------|---------------------------------|------|------|------------|------|------|------------|------|------|------|
| | M [cm] | | | | | | | | | | M [cm] | | | | | | | | | |
| | 250 | 300 | 350 | 400 | 450 | 500 | 550 | 600 | 650 | 700 | 250 | 300 | 350 | 400 | 450 | 500 | 550 | 600 | 650 | 700 |
| FB [N] | | | | | | | | | | | | | | | | | | | | |
| 150 | 818 | 958 | 1098 | 1239 | 1379 | 1519 | 1659 | 1800 | 1940 | 1579 | 936 | 1097 | 1257 | 1418 | 1578 | 1739 | 1899 | 2060 | 2220 | 1807 |
| 200 | 1251 | 1457 | 1663 | 1869 | 2074 | 2280 | 2486 | 2692 | 2898 | 2510 | 1432 | 1667 | 1903 | 2139 | 2374 | 2610 | 2845 | 3081 | 3316 | 2873 |
| 250 | - | 1989 | 2270 | 2551 | 2831 | 3112 | 3393 | 3674 | 4291 | 3777 | - | 2276 | 2598 | 2919 | 3240 | 3562 | 3883 | 4205 | 4911 | 4322 |
| 300 | - | - | 2954 | 3319 | 3684 | 4049 | 4822 | - | - | 4994 | - | - | 3380 | 3798 | 4216 | 4634 | 5519 | - | - | - |
| HT BHT | 2 150 mm | | | 3 150 mm | | | 4 150 mm | | | | 2 150 mm | | | 3 150 mm | | | 4 150 mm | | | |
| BM | 8 | | | 12 | | | 16 | | | | 8 | | | 12 | | | 16 | | | |

The pull-out force refers to the vertical centre to centre measurement between the fixture points of **90 mm**. If this measurement is reduced to the minimum, the pull-out force increases by **2%** in the case of **compression-proof substrates** and by **19%** in the case of **non compression-proof substrates**.

- M = awning width
- H = projection
- FB = pull-out force per fixing point
- HT | BHT = bracket quantity | width
- BM = no. of fixing points
- WA = wall sealing profile



dimensions in mm

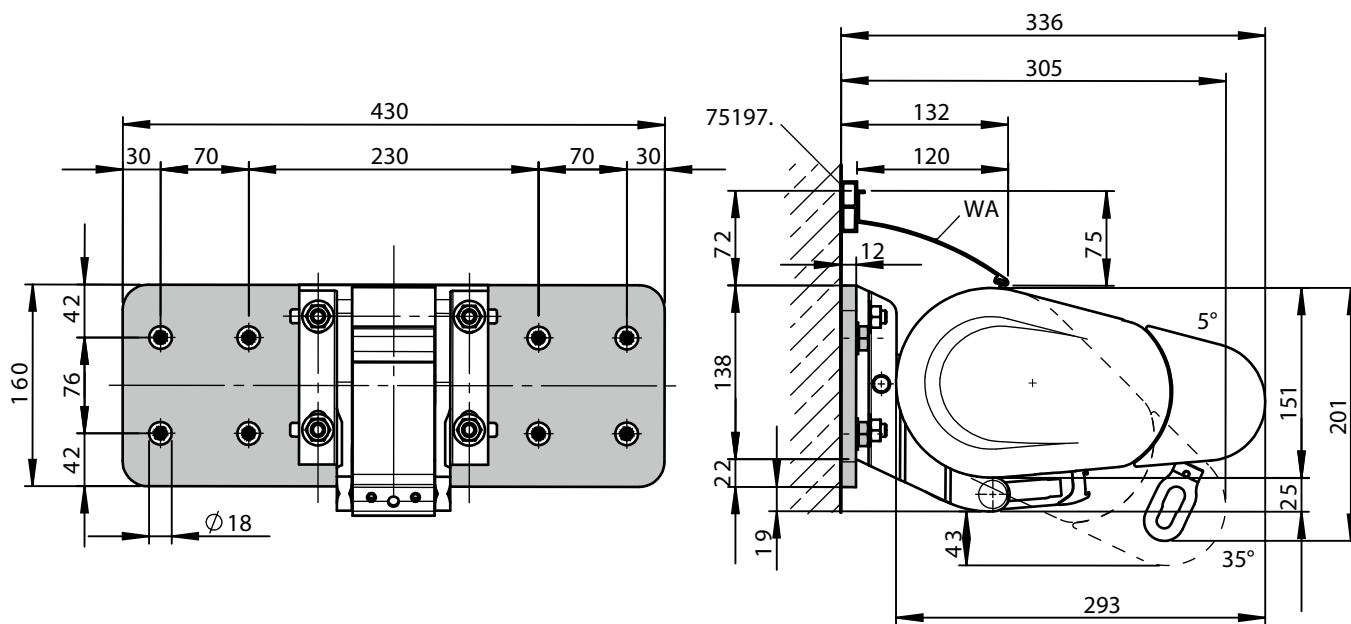
Face fixture with shadeplus / drop valance and spreader plate A

Pull-out force [N=Newton] per upper fixing point according to EN 13561, wind resistance class 2

| compression-proof substrate | | | | | | | | | | non compression-proof substrate | | | | | | | | | | |
|-----------------------------|------------|-----|------|------------|------|------|------------|------|------|---------------------------------|-----|------|------------|------|------|------------|------|------|------|------|
| M [cm] | | | | | | | | | | M [cm] | | | | | | | | | | |
| H [cm] | | | | | | | | | | H [cm] | | | | | | | | | | |
| FB [N] | | | | | | | | | | FB [N] | | | | | | | | | | |
| 250 | 300 | 350 | 400 | 450 | 500 | 550 | 600 | 650 | 700 | 250 | 300 | 350 | 400 | 450 | 500 | 550 | 600 | 650 | 700 | |
| 150 | 394 | 462 | 529 | 597 | 664 | 732 | 800 | 867 | 935 | 738 | 560 | 656 | 752 | 848 | 944 | 1040 | 1136 | 1232 | 1328 | 1048 |
| 200 | 602 | 701 | 800 | 899 | 997 | 1096 | 1195 | 1294 | 1393 | 1161 | 855 | 996 | 1136 | 1277 | 1417 | 1558 | 1699 | 1839 | 1980 | 1650 |
| 250 | - | 955 | 1090 | 1225 | 1360 | 1494 | 1629 | 1764 | 2060 | 1749 | - | 1357 | 1549 | 1740 | 1932 | 2123 | 2315 | 2507 | 2928 | 2485 |
| 300 | - | - | 1417 | 1592 | 1767 | 1942 | 2313 | - | - | 2309 | - | - | 2014 | 2262 | 2511 | 2760 | 3288 | - | - | 3282 |
| HT BHT | 2 150 mm | | | 3 150 mm | | | 4 150 mm | | | 2 150 mm | | | 3 150 mm | | | 4 150 mm | | | | |
| BP | 2 | | | 2 | | | 3 | | | 2 | | | 2 | | | 3 | | | | |
| DP | - | | | 1 | | | 1 | | | - | | | 1 | | | 1 | | | | |
| BM | 16 | | | 20 | | | 28 | | | 16 | | | 20 | | | 28 | | | | |

The pull-out force refers to the vertical centre to centre measurement between the fixing points of **76 mm**. In the case of spreader plates a washer conforming to DIN 9021 must be used.

- M = awning width
- H = projection
- FB = pull-out force per fixing point
- HT | BHT = bracket quantity | width
- BP = no. of spreader plates
- BM = no. of fixing points
- DP = no. of spacer plates
- WA = wall sealing profile
- 75197. = stand-off strip for wall sealing profile



dimensions in mm

- 01
- 02
- 03
- 04
- 05
- 06
- 07
- 08
- 09
- 10
- 11
- 12
- 13
- 14
- 15
- 16
- 17
- 18
- 19
- 20
- 21
- 22
- 23

Face fixture with shadeplus / drop valance and spreader plate B

Pull-out force [N=Newton] per upper fixing point according to EN 13561, wind resistance class 2

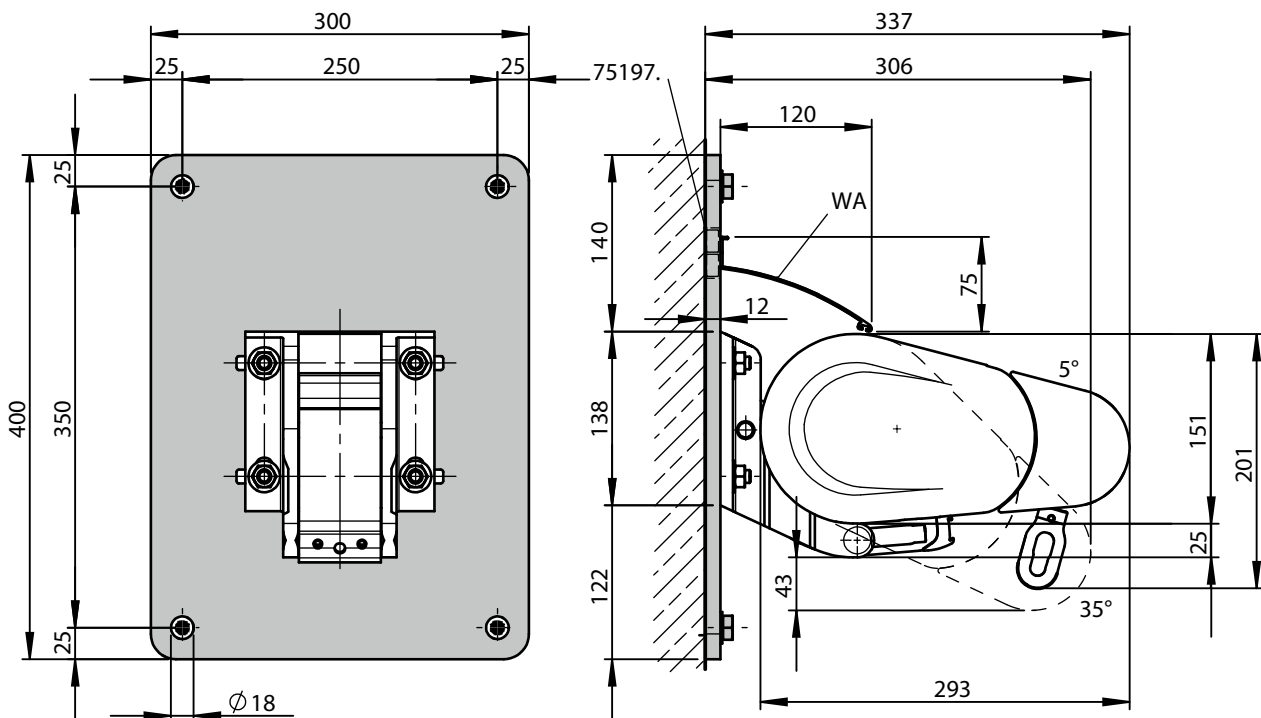
compression-proof substrate

non compression-proof substrate

| H [cm] | compression-proof substrate | | | | | | | | | | non compression-proof substrate | | | | | | | | | |
|-----------------|-----------------------------|-----|-----|------------|------|------|------------|------|------|------|---------------------------------|-----|-----|------------|------|------|------------|------|------|------|
| | M [cm] | | | | | | | | | | M [cm] | | | | | | | | | |
| | 250 | 300 | 350 | 400 | 450 | 500 | 550 | 600 | 650 | 700 | 250 | 300 | 350 | 400 | 450 | 500 | 550 | 600 | 650 | 700 |
| FB [N] | | | | | | | | | | | FB [N] | | | | | | | | | |
| 150 | 233 | 273 | 313 | 353 | 393 | 433 | 473 | 513 | 553 | 437 | 243 | 285 | 327 | 368 | 410 | 452 | 493 | 535 | 577 | 455 |
| 200 | 356 | 415 | 473 | 532 | 590 | 649 | 707 | 766 | 824 | 687 | 371 | 432 | 493 | 555 | 616 | 677 | 738 | 799 | 860 | 716 |
| 250 | - | 565 | 645 | 725 | 805 | 884 | 964 | 1044 | 1219 | 1035 | - | 589 | 673 | 756 | 839 | 922 | 1005 | 1089 | 1272 | 1079 |
| 300 | - | - | 839 | 942 | 1046 | 1149 | 1369 | - | - | 1367 | - | - | 874 | 983 | 1091 | 1199 | 1428 | - | - | 1425 |
| HT BHT | 2 150 mm | | | 3 150 mm | | | 4 150 mm | | | | 2 150 mm | | | 3 150 mm | | | 4 150 mm | | | |
| BP | 2 | | | 2 | | | 3 | | | | 2 | | | 2 | | | 3 | | | |
| DP | - | | | 1 | | | 1 | | | | - | | | 1 | | | 1 | | | |
| BM | 8 | | | 12 | | | 16 | | | | 8 | | | 12 | | | 16 | | | |

The pull-out force refers to the vertical centre to centre measurement between the fixing points of **350 mm**. In the case of spreader plates a washer conforming to DIN 9021 must be used.

- M = awning width
- H = projection
- FB = pull-out force per fixing point
- HT | BHT = bracket quantity | width
- BP = no. of spreader plates
- DP = no. of spacer plates
- BM = no. of fixing points
- 75197. = stand-off strip for wall sealing profile



dimensions in mm

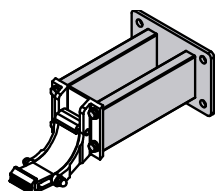
Face fixture with shadeplus / drop valance and stand-off brackets

Pull-out force [N=Newton] per upper fixing point according to EN 13561, wind resistance class 2

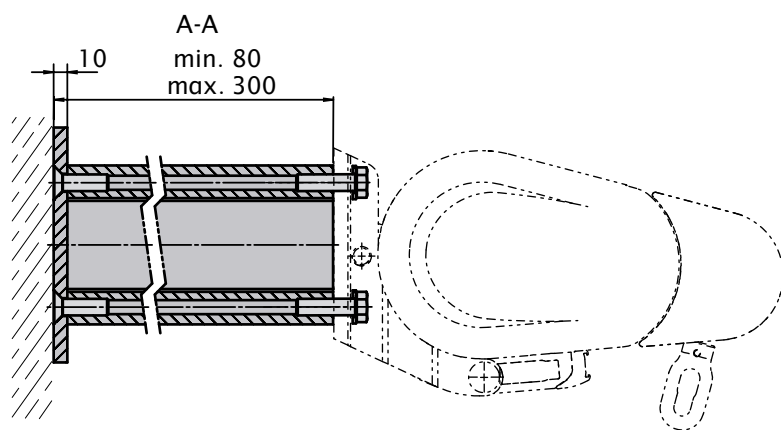
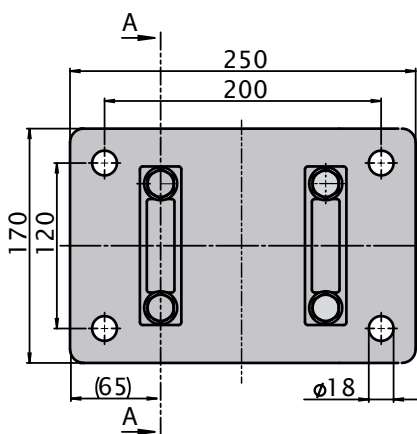
| compression-proof substrate | | | | | | | | | | | non compression-proof substrate | | | | | | | | | | |
|-----------------------------|------------|------|------|------------|------|------|------------|------|------|------|---------------------------------|------|------|------------|------|------|------------|------|------|------|--|
| M [cm] | | | | | | | | | | | M [cm] | | | | | | | | | | |
| H [cm] | | | | | | | | | | | H [cm] | | | | | | | | | | |
| FB [N] | | | | | | | | | | | FB [N] | | | | | | | | | | |
| 250 | 300 | 350 | 400 | 450 | 500 | 550 | 600 | 650 | 700 | | 250 | 300 | 350 | 400 | 450 | 500 | 550 | 600 | 650 | 700 | |
| 150 | 506 | 583 | 659 | 736 | 813 | 890 | 966 | 1043 | 1120 | 881 | 569 | 656 | 742 | 828 | 915 | 1001 | 1087 | 1174 | 1260 | 991 | |
| 200 | 793 | 909 | 1024 | 1139 | 1254 | 1369 | 1485 | 1600 | 1715 | 1424 | 893 | 1022 | 1152 | 1281 | 1411 | 1541 | 1670 | 1800 | 1929 | 1602 | |
| 250 | - | 1250 | 1411 | 1572 | 1733 | 1893 | 2054 | 2215 | 2691 | 2278 | - | 1406 | 1587 | 1768 | 1949 | 2130 | 2311 | 2492 | 3027 | 2563 | |
| 300 | - | - | 1857 | 2070 | 2284 | 2497 | 3082 | 3331 | 3579 | 3054 | - | - | 2089 | 2329 | 2569 | 2810 | 3467 | 3747 | 4026 | 3436 | |
| 350 | - | - | - | 2719 | 2992 | 3714 | 4033 | 4353 | 3841 | 4084 | - | - | - | 3059 | 3366 | 4178 | 4538 | 4897 | 4321 | 4595 | |
| 400 | - | - | - | - | 4215 | 4615 | 5015 | - | - | 5097 | - | - | - | - | 4742 | 5192 | 5642 | - | - | 5734 | |
| HT BHT | 2 150 mm | | | 3 150 mm | | | 4 150 mm | | | | 2 150 mm | | | 3 150 mm | | | 4 150 mm | | | | |
| DH 77969. | 2 | | | 3 | | | 4 | | | | 2 | | | 3 | | | 4 | | | | |
| BM | 8 | | | 12 | | | 16 | | | | 8 | | | 12 | | | 16 | | | | |

The pull-out force refers to the vertical centre to centre measurement between the fixing points of **120 mm**. In the case of stand-off brackets a washer conforming to DIN 9021 must be used.

- M = awning width
- H = projection
- FB = pull-out force per fixing point
- HT | BHT = bracket quantity | width
- BM = no. of fixing points
- DH = no. of stand-off brackets
- 77969. = stand-off brackets for face fixture brackets 74921. and 74936.



77969.



dimensions in mm

01
02
03
04
05
06
07
08
09
10
11
12
13
14
15
16
17
18
19
20
21
22
23

Top fixture

Pull-out force [N=Newton] per upper fixing point according to EN 13561, wind resistance class 2

compression-proof substrate
M [cm]

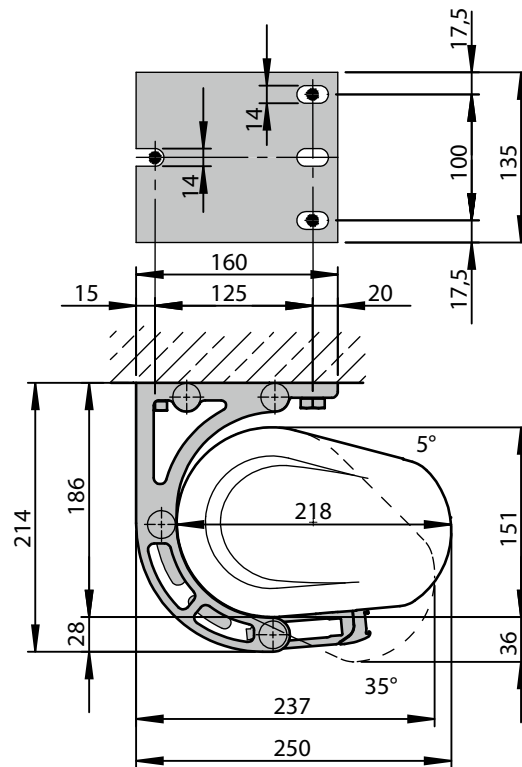
non compression-proof substrate
M [cm]

| H [cm] | compression-proof substrate | | | | | | | | | | non compression-proof substrate | | | | | | | | | |
|--------|-----------------------------|------|------|------|------|------|------|------|------|------|---------------------------------|------|------|------|------|------|------|------|------|------|
| | M [cm] | | | | | | | | | | M [cm] | | | | | | | | | |
| | 250 | 300 | 350 | 400 | 450 | 500 | 550 | 600 | 650 | 700 | 250 | 300 | 350 | 400 | 450 | 500 | 550 | 600 | 650 | 700 |
| 150 | 463 | 537 | 611 | 685 | 759 | 833 | 908 | 982 | 1056 | 916 | 479 | 555 | 632 | 709 | 785 | 862 | 938 | 1015 | 1091 | 945 |
| 200 | 724 | 833 | 943 | 1052 | 1162 | 1271 | 1381 | 1491 | 1600 | 1445 | 750 | 864 | 977 | 1090 | 1204 | 1317 | 1431 | 1544 | 1658 | 1496 |
| 250 | - | 1156 | 1308 | 1461 | 1613 | 1766 | 1981 | 2070 | 2489 | 2252 | - | 1199 | 1357 | 1515 | 1673 | 1831 | 1989 | 2147 | 2582 | 2335 |
| 300 | - | - | 1734 | 1937 | 2140 | 2343 | 2869 | 3102 | 3335 | 3025 | - | - | 1800 | 2011 | 2221 | 2432 | 2978 | 3220 | 3462 | 3139 |
| 350 | - | - | - | 2557 | 2818 | 3477 | 3779 | 4081 | 3849 | 4081 | - | - | - | 2656 | 2926 | 3611 | 3925 | 4238 | 3997 | 4237 |
| 400 | - | - | - | - | 3974 | 4354 | 4733 | - | - | 5114 | - | - | - | - | 4129 | 4523 | 4917 | - | - | 5311 |

| HT BHT | 2 135 mm | 3 135 mm | 4 135 mm | 2 135 mm | 3 135 mm | 4 135 mm |
|----------|------------|------------|------------|------------|------------|------------|
| BM | 6 | 9 | 12 | 6 | 9 | 12 |

The pull-out force refers to the horizontal centre to centre measurement between the fixture points of **125 mm**.

- M = awning width
- H = projection
- FB = pull-out force per fixing point
- HT | BHT = bracket quantity | width
- BM = no. of fixing points



dimensions in mm

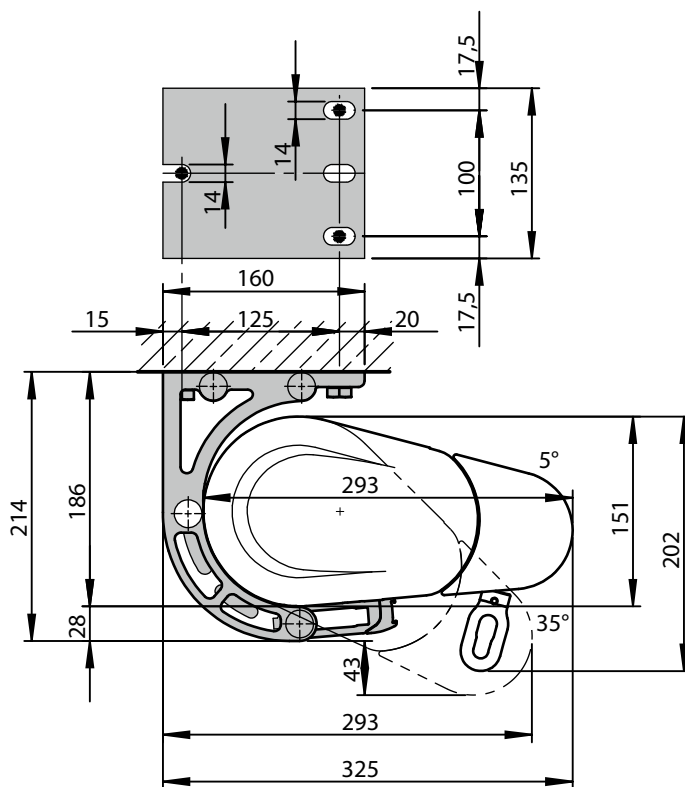
Top fixture with shadeplus / drop valance

Pull-out force [N=Newton] per upper fixing point according to EN 13561, wind resistance class 2

| compression-proof substrate | | | | | | | | | | | non compression-proof substrate | | | | | | | | | | | |
|-----------------------------|------------|------|------|------------|------|------|------------|------|------|------|---------------------------------|------------|------|------|------------|------|------|------------|------|------|--|--|
| M [cm] | | | | | | | | | | | M [cm] | | | | | | | | | | | |
| H [cm] | | | | | | | | | | | H [cm] | | | | | | | | | | | |
| FB [N] | | | | | | | | | | | FB [N] | | | | | | | | | | | |
| 250 | 300 | 350 | 400 | 450 | 500 | 550 | 600 | 650 | 700 | | 250 | 300 | 350 | 400 | 450 | 500 | 550 | 600 | 650 | 700 | | |
| 150 | 711 | 834 | 958 | 1081 | 1205 | 1329 | 1452 | 1579 | 1699 | 1426 | 736 | 865 | 993 | 1121 | 1249 | 1377 | 1505 | 1633 | 1761 | 1476 | | |
| 200 | 1054 | 1229 | 1405 | 1581 | 1756 | 1932 | 2107 | 2283 | 2459 | 2164 | 1093 | 1276 | 1458 | 1640 | 1822 | 2004 | 2186 | 2368 | 2550 | 2244 | | |
| 250 | - | 1651 | 1886 | 2121 | 2356 | 2591 | 2826 | 3061 | 3562 | 3167 | - | 1714 | 1958 | 2202 | 2446 | 2690 | 2933 | 3177 | 3698 | 3287 | | |
| 300 | - | - | 2428 | 2730 | 3031 | 3333 | 3958 | - | - | 4132 | - | - | 2521 | 2835 | 3148 | 3462 | 4111 | - | - | 4290 | | |
| HT BHT | 2 135 mm | | | 3 135 mm | | | 4 135 mm | | | | | 2 135 mm | | | 3 135 mm | | | 4 135 mm | | | | |
| BM | 6 | | | 9 | | | 12 | | | | | 6 | | | 9 | | | 12 | | | | |

The pull-out force refers to the horizontal centre to centre measurement between the fixture points of 125 mm.

- M = awning width
- H = projection
- FB = pull-out force per fixing point
- HT | BHT = bracket quantity | width
- BM = no. of fixing points



dimensions in mm

- 01
- 02
- 03
- 04
- 05**
- 06
- 07
- 08
- 09
- 10
- 11
- 12
- 13
- 14
- 15
- 16
- 17
- 18
- 19
- 20
- 21
- 22
- 23

Eaves fixture

Torque [Nm = Newton metres] for the fixture bracket in the immediate vicinity of the arm, shear force [N = Newton] per fixing point according to EN 13561, wind resistance class 2

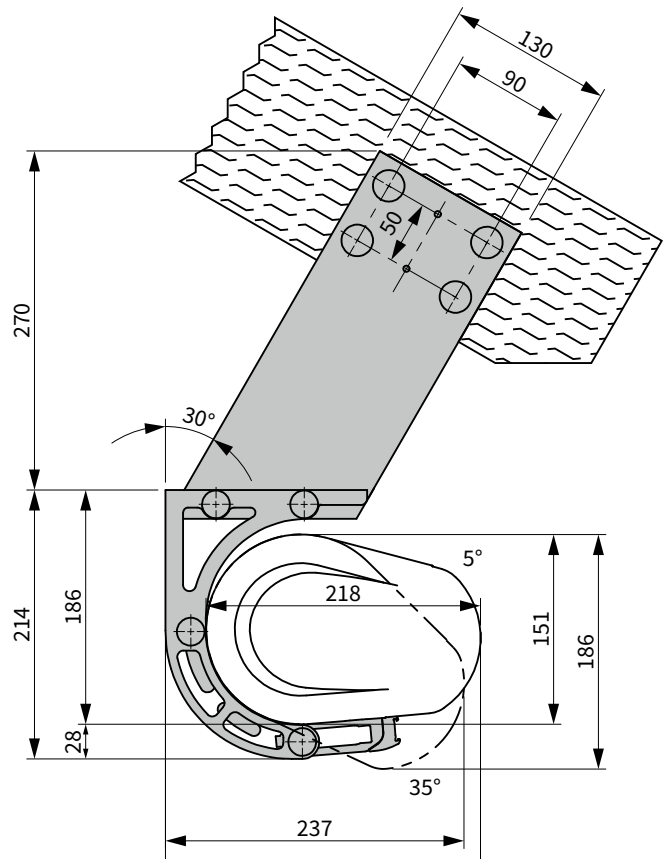
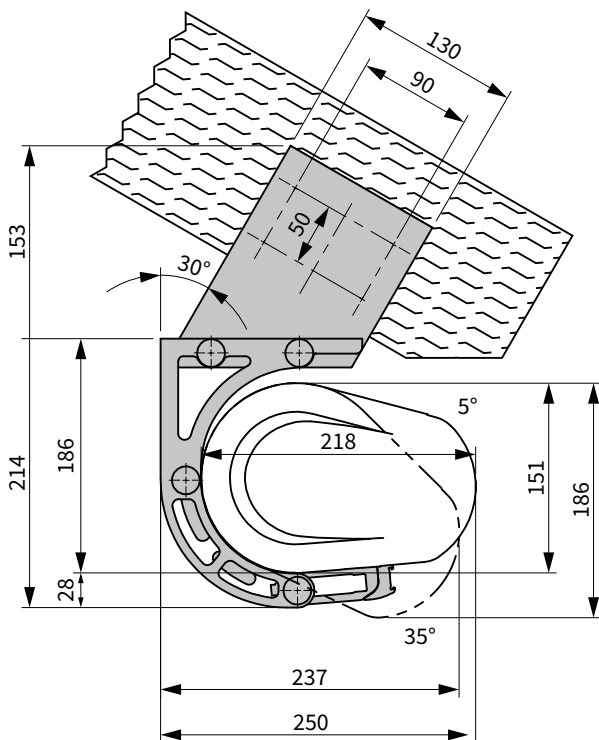
| H [cm] | Torque M [cm] | | | | | | | | | | Shear force M [cm] | | | | | | | | | |
|--------|---------------|-----|-----|-----|------|------|------|------|-----|------|--------------------|------|------|------|-------|-------|-------|-------|-------|-------|
| | 250 | 300 | 350 | 400 | 450 | 500 | 550 | 600 | 650 | 700 | 250 | 300 | 350 | 400 | 450 | 500 | 550 | 600 | 650 | 700 |
| | FB [N] | | | | | | | | | | FB [N] | | | | | | | | | |
| 150 | 104 | 120 | 136 | 152 | 168 | 184 | 200 | 216 | 232 | 193 | 1282 | 1485 | 1688 | 1891 | 2094 | 2297 | 2499 | 2702 | 2905 | 2490 |
| 200 | 172 | 197 | 222 | 248 | 273 | 298 | 323 | 349 | 374 | 330 | 2035 | 2340 | 2646 | 2951 | 3257 | 3562 | 3867 | 4173 | 4478 | 4018 |
| 250 | - | 281 | 317 | 354 | 390 | 427 | 463 | 499 | 605 | 540 | - | 3272 | 3701 | 4131 | 4560 | 4989 | 5419 | 5848 | 7046 | 6351 |
| 300 | - | - | 428 | 478 | 527 | 577 | 710 | 767 | 825 | 741 | - | - | 4933 | 5508 | 6082 | 6657 | 8165 | 8828 | 9490 | 8584 |
| 350 | - | - | - | 639 | 703 | 872 | 947 | 1022 | 959 | 1015 | - | - | - | 7299 | 8040 | 9934 | 10795 | 11655 | 10976 | 11633 |
| 400 | - | - | - | - | 1004 | 1099 | 1195 | - | - | 1284 | - | - | - | - | 11381 | 12466 | 13552 | - | - | 14617 |
| HT | 2 | | | 3 | | | | 4 | | | 2 | | | 3 | | | | 4 | | |
| BM | 8 | | | 12 | | | | 16 | | | 8 | | | 12 | | | | 16 | | |

The shear force is calculated on the basis of 2 fixing points per bracket, because – depending on the roof pitch – it cannot be guaranteed that 4 fixing points per bracket can be used.

- M = awning width
- H = projection
- Md = torque value for the bracket in the immediate vicinity of the arm
- HT = no. of brackets
- FS = shear force
- BM = no. of fixing points

eaves fixture bracket 270 mm

eaves fixture bracket 5° to 35°



dimensions in mm

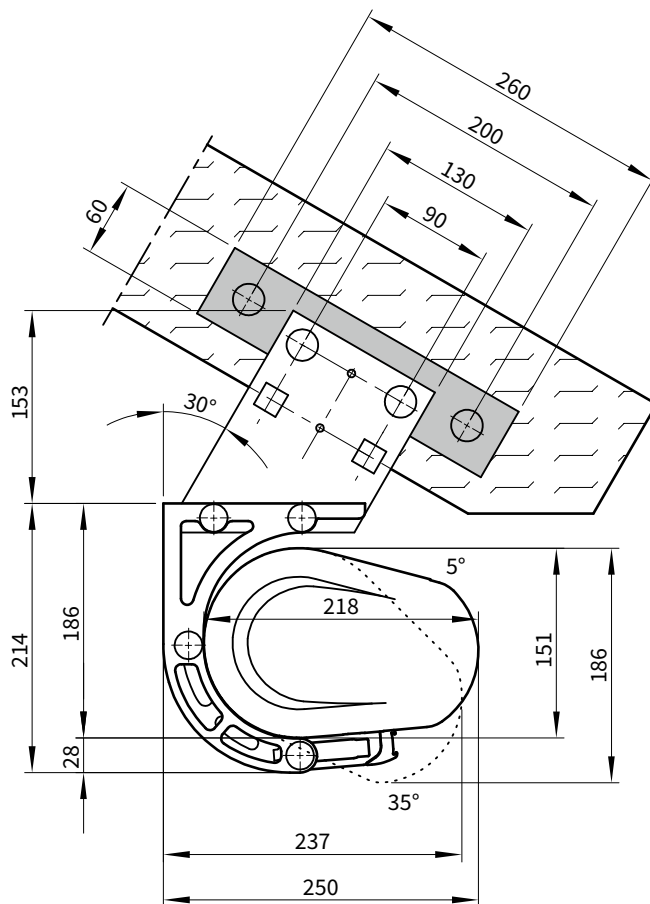
Eaves fixture with additional spreader / backing plate

Torque [Nm = Newton metres] for the fixture bracket in the immediate vicinity of the arm, shear force [N = Newton] per fixing point according to EN 13561, wind resistance class 2

| H [cm] | Torque M [cm] | | | | | | | | | | Shear force M [cm] | | | | | | | | | | | |
|--------|---------------|-----|-----|-----|------|------|------|------|-----|------|--------------------|------|------|------|------|------|------|------|------|------|--|--|
| | 250 | 300 | 350 | 400 | 450 | 500 | 550 | 600 | 650 | 700 | 250 | 300 | 350 | 400 | 450 | 500 | 550 | 600 | 650 | 700 | | |
| | FB [N] | | | | | | | | | | FB [N] | | | | | | | | | | | |
| 150 | 104 | 120 | 136 | 152 | 168 | 184 | 200 | 216 | 232 | 193 | 646 | 751 | 856 | 961 | 1066 | 1171 | 1276 | 1381 | 1486 | 1313 | | |
| 200 | 172 | 197 | 222 | 248 | 273 | 298 | 323 | 349 | 374 | 330 | 984 | 1136 | 1287 | 1438 | 1589 | 1740 | 1892 | 2043 | 2194 | 2001 | | |
| 250 | - | 281 | 317 | 354 | 390 | 427 | 463 | 499 | 605 | 540 | - | 1555 | 1762 | 1969 | 2176 | 2383 | 2590 | 2797 | 3350 | 3050 | | |
| 300 | - | - | 428 | 478 | 527 | 577 | 710 | 767 | 825 | 741 | - | - | 2316 | 2588 | 2861 | 3133 | 3826 | 4137 | 4449 | 4055 | | |
| 350 | - | - | - | 639 | 703 | 872 | 947 | 1022 | 959 | 1015 | - | - | - | 3394 | 3742 | 4608 | 5009 | 5410 | 5118 | 5427 | | |
| 400 | - | - | - | - | 1004 | 1099 | 1195 | - | - | 1284 | - | - | - | - | 5245 | 5747 | 6250 | - | - | 6770 | | |
| HT | 2 | | | 3 | | | 4 | | | | 2 | | | 3 | | | 4 | | | | | |
| BM | 4 | | | | 6 | | | | 8 | | 4 | | | | 6 | | | | 8 | | | |

By using the additional spreader / backing plate, the shear force is reduced in comparison with conventional eaves fixture.

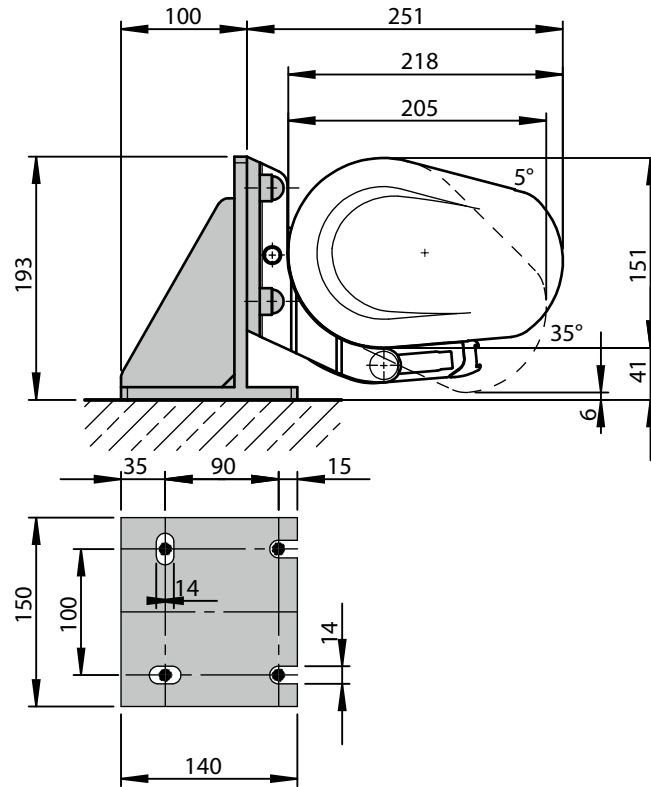
- M = awning width
- H = projection
- Md = torque value for the bracket in the immediate vicinity of the arm
- HT = no. of brackets
- FS = shear force
- BM = no. of fixing points



dimensions in mm

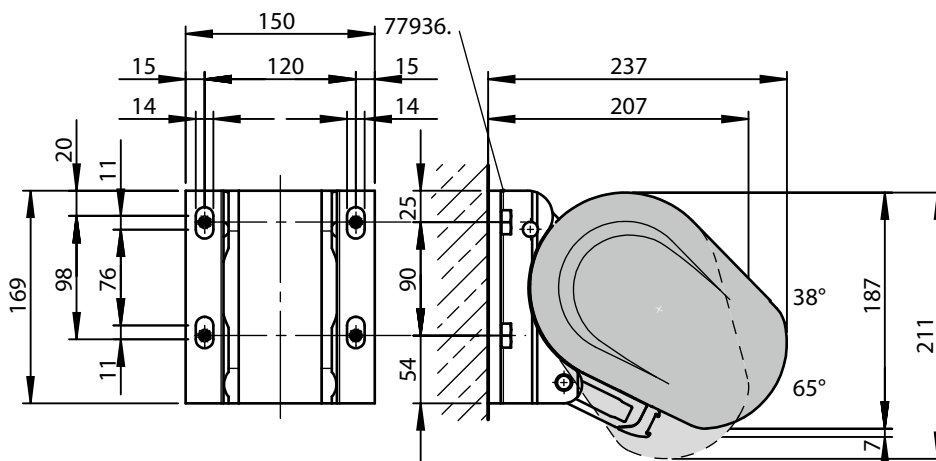
- 01
- 02
- 03
- 04
- 05
- 06
- 07
- 08
- 09
- 10
- 11
- 12
- 13
- 14
- 15
- 16
- 17
- 18
- 19
- 20
- 21
- 22
- 23

Bottom fixture



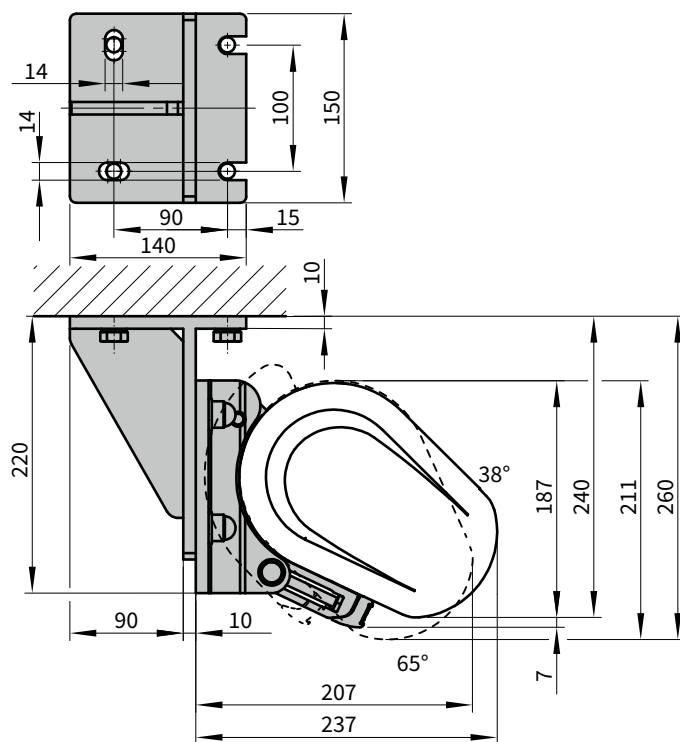
dimensions in mm

Face fixture dimensions at pitches of 38° to 65°



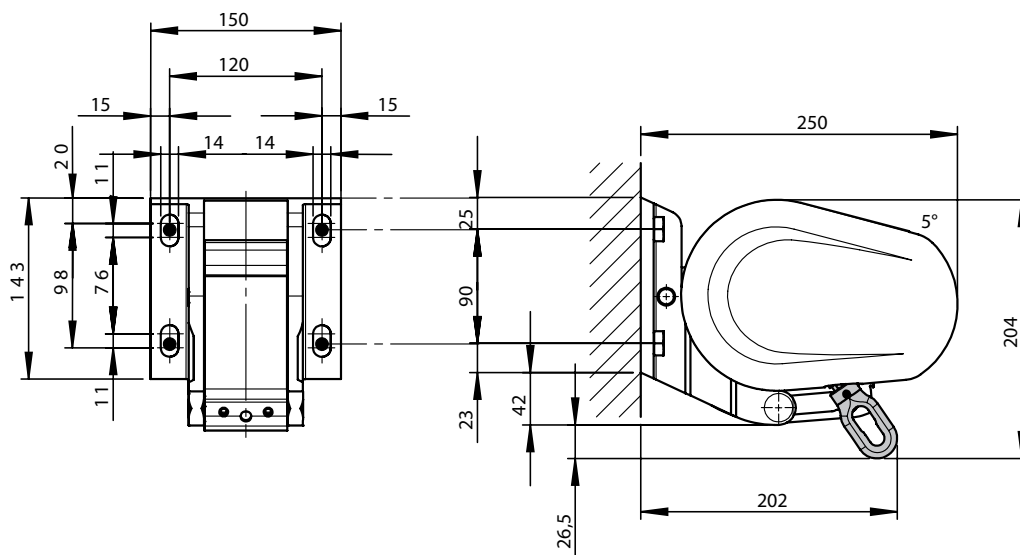
dimensions in mm

Top fixture dimensions at pitches of 38° to 65°



dimensions in mm

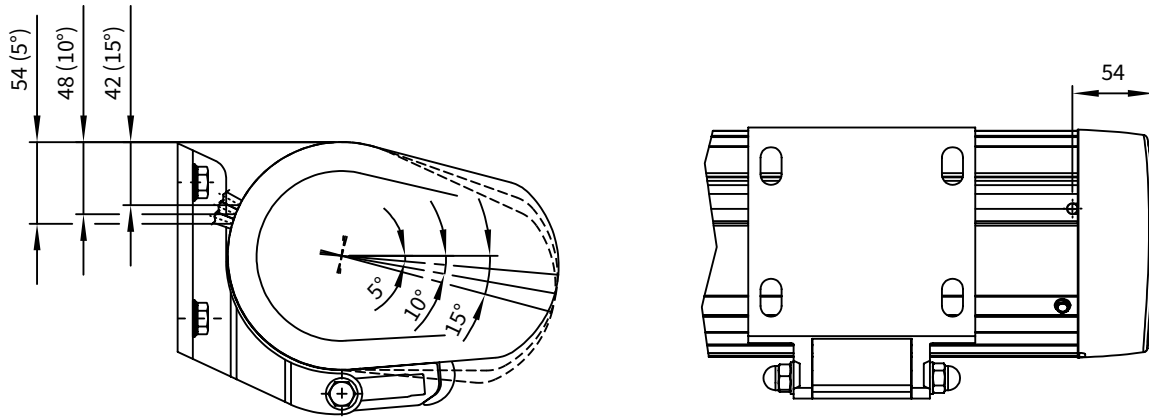
Face fixture with manual operation



dimensions in mm

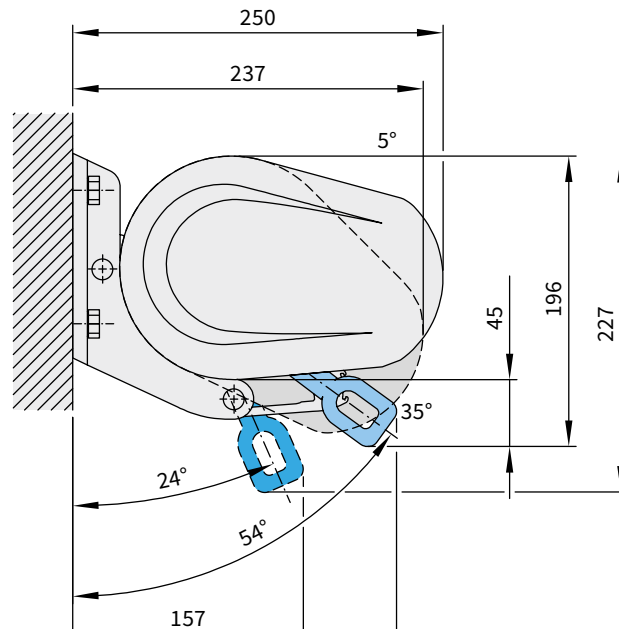
- 01
- 02
- 03
- 04
- 05
- 06
- 07
- 08
- 09
- 10
- 11
- 12
- 13
- 14
- 15
- 16
- 17
- 18
- 19
- 20
- 21
- 22
- 23

Cable exit point in the case of motor-driven units



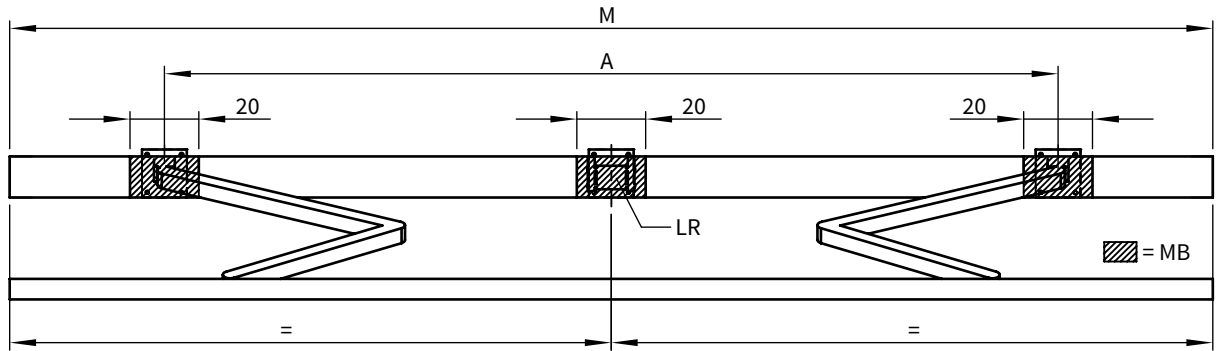
dimensions in mm

Face fixture, radio-controlled motor with manual override



dimensions in mm

Bracket fixture range for awnings with 2 folding arms



dimensions in cm

| | | | | | | | | | | |
|--------|------|---------|---------|---------|---------|---------|---------|---------|---------|---------|
| M [cm] | SB → | 250 | 300 | 350 | 400 | 450 | 500 | 550 | 600 | 650 |
| | ZB → | 187–250 | 251–300 | 301–350 | 351–400 | 401–450 | 451–500 | 501–550 | 551–600 | 601–650 |

| H [cm] ↓ | A [cm] | | | | | | | | |
|----------|--------|-------|-------|-------|-------|------|-------|-----|-----|
| 150 | 172** | 220 | 270 | 300 | 340 | 380 | 440 | 490 | 510 |
| 200 | 222* | 223** | 270 | 300 | 340 | 380 | 440 | 490 | 510 |
| 250 | - | 272* | 273** | 300 | 340 | 390 | 440 | 490 | 510 |
| 300 | - | - | 322* | 323** | 340 | 390 | 440 | 490 | 510 |
| 350 | - | - | - | 372* | 373** | 390 | 440 | 490 | - |
| 400 | - | - | - | - | 422* | 423* | 440** | - | - |

| | BHT ↓ | HT ↓ | HT ↓ |
|---|--------|------|------|
| W | 150 mm | 2 | 3 |

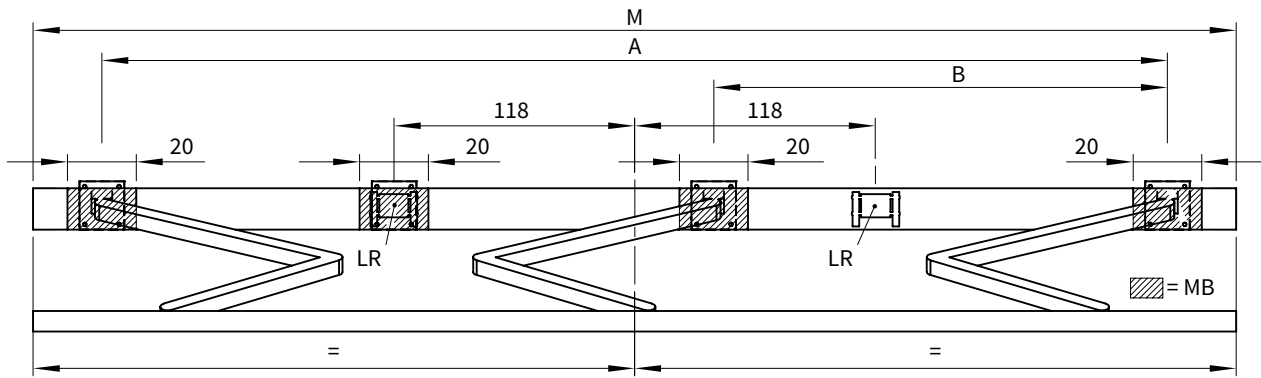
| | | | |
|---------|--------|---|---|
| DE / DA | 135 mm | 2 | 3 |
|---------|--------|---|---|

If the brackets cannot be positioned in accordance with this table, make sure the actual measurements are noted on the order form!

- * = Please note the minimum widths! Dimension **A** is only valid for standard arms! Dimension **A** is 13 cm smaller in the case of bespoke arms. Coupled units are not available with junction roller.
- ** = Coupled units are only available with junction roller in the standard widths, in the case of other widths please ask us.
- A = arm position
- BHT = bracket width
- DA = eaves fixture
- DE = top fixture
- H = projection
- HT = no. of brackets
- LR = a rolltex bearing with accompanying bracket is always placed under a central seam
- M = awning width
- MB = bracket fixture range
- SB = standard width
- W = face fixture
- ZB = intermediate width

01
02
03
04
05
06
07
08
09
10
11
12
13
14
15
16
17
18
19
20
21
22
23

Bracket fixture range for awnings with 3 folding arms



dimensions in cm

| M[cm] | SB → | 650 | | 700 | | | |
|-------|------|---------|-----|---------|---------|---------|---------|
| | ZB → | 601—650 | 650 | 651—674 | 675—700 | 646—695 | 696—700 |

| H[cm]↓ | A [cm] | B [cm] | A [cm] | B [cm] | A [cm] | B [cm] | A [cm] | B [cm] | A [cm] | B [cm] | A [cm] | B [cm] | KM[cm] |
|--------|-------------------|-------------------|-------------------|-------------------|--------|--------|--------|--------|-------------------|-------------------|-------------------|-------------------|--------|
| 150 | - | - | - | - | 570 | 265 | 590 | 265 | - | - | - | - | 446 |
| 200 | - | - | - | - | 570 | 240 | 590 | 240 | - | - | - | - | 496 |
| 250 | - | - | - | - | 570 | 230 | 590 | 230 | - | - | - | - | 546 |
| 300 | 570 ¹⁾ | 230 ¹⁾ | - | - | 570 | 230 | 590 | 230 | - | - | - | - | 596 |
| 350 | - | - | 618 ¹⁾ | 220 ¹⁾ | - | - | - | - | 618 ¹⁾ | 225 ¹⁾ | 633 | 230 | 646 |
| 400 | - | - | - | - | - | - | - | - | - | - | 668 ²⁾ | 235 ²⁾ | 696 |

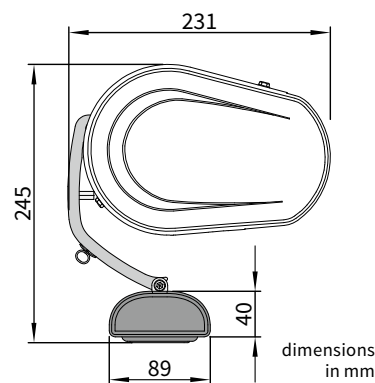
| | BHT ↓ | HT ↓ | |
|---|--------|------|--|
| W | 150 mm | 4 | |

| DA/DE | 135 mm | 4 |
|-------|--------|---|
|-------|--------|---|

If the brackets cannot be positioned in accordance with this table, make sure the actual measurements are noted on the order form!

- 1) = Please note the minimum widths, only possible with a junction roller at a width of 700 cm.
- 2) = Please note the minimum widths, coupled units are not possible.
- 3) = arm position for awnings with spotlights
- A = arm position
- B = arm position
- BHT = bracket width
- DA = eaves fixture
- DE = top fixture
- H = projection
- HT = no. of brackets
- KM = minimum awning width
- LR = a rolltex bearing with accompanying bracket is always placed under a central seam
- M = awning width
- MB = bracket fixture range
- SB = standard width
- W = face fixture
- ZB = intermediate width

markilux spotline for the markilux 5010



Light bar with fixture brackets for the cassette

With the markilux spotline the area underneath the awning is bathed evenly in a pleasant light.

The markilux spotline can be fitted or retrofitted to the cassette of the markilux 5010 using additional brackets.

The built-in spotlights can be adjusted individually – they can be rotated through 360° and tilted up to 60°.

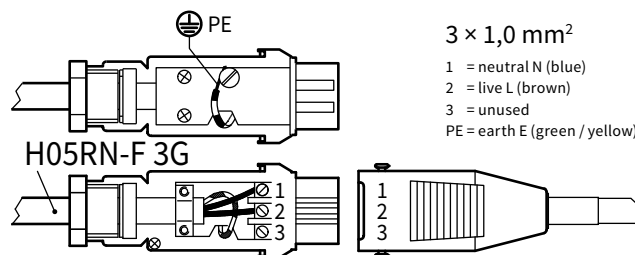
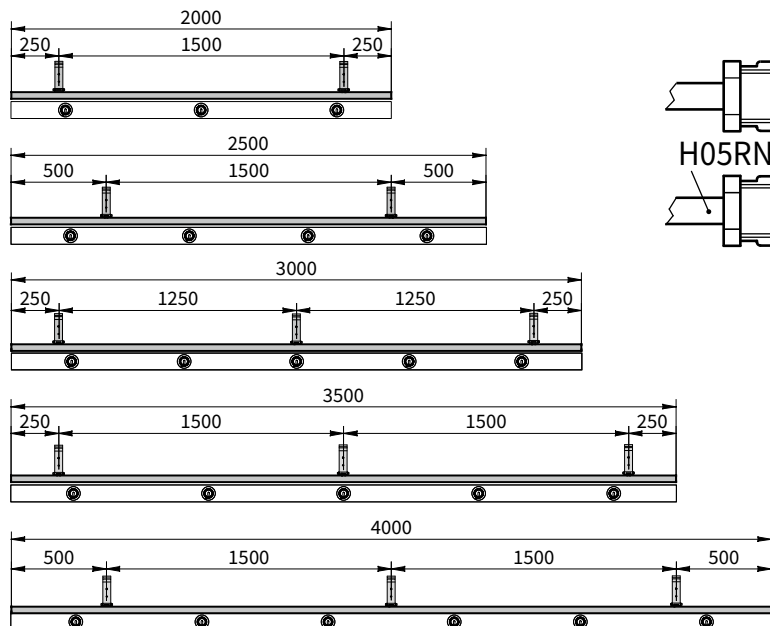
Apart from the standard colours the cassette can – for a small surcharge – also be powder coated in other RAL colours to match the awning.

The markilux spotline is controlled via an on/off switch. It is wired to the mains by means of a connecting plug (Hirschmann).

Its construction makes it very quick to fit.

With the brackets already attached, the markilux spotline is suspended from the back joint in the cassette housing. It is then adjusted and tightened in place. The power supply cable is fixed in place using self-adhesive cable ties.

Quantity of brackets and their separation from one another



Housing colours

| | | standard | optional |
|-----------------------------------|----------|--------------------------|-------------------------------------|
| traffic white | RAL 9016 | <input type="checkbox"/> | <input type="checkbox"/> |
| metallic aluminium | RAL 9006 | <input type="checkbox"/> | <input type="checkbox"/> |
| non-standard powder-coated finish | | <input type="checkbox"/> | <input checked="" type="checkbox"/> |

Technical specification

| | | | | | |
|------------------------------|------------------------------------|-----|-----|-----|-----|
| power supply | 230 V, 50 Hz | | | | |
| ingress protection rating | IP44 / I | | | | |
| wiring cross section | H05RN-F 3G 3 x 1.0 mm ² | | | | |
| power output (per spotlight) | 20 W | | | | |
| depth x height (cm) | 89 mm x 40 mm | | | | |
| length | 200 | 250 | 300 | 350 | 400 |
| no. of spotlights | 3 | 4 | 5 | 5 | 6 |

Colours similar to those in the RAL chart. Colours may differ slightly from those depicted in both hue and finish.

