



rated to wind resistance class 2  
(corresponds to Beaufort 5)

## **markilux** 730 / 830

**The drop-arm cassette awning with gas piston-tensioned arms –  
the awning that gives you just the amount of shade you need**



side view  
markilux 730



side view  
markilux 830



reveal fixture  
square cassette  
markilux 730



reveal fixture  
round cassette  
markilux 830



two telescopic  
aluminium wedge-in  
across bars are  
optionally available  
at a surcharge  
(telescopic range  
220 cm to 320 cm)



gas pistons  
in the drop arms

### Design Features

the markilux 730: compact, square and discreet, the cassette profile made of extruded aluminium is only 95 mm in height

when retracted the cover is protected from the weather by the cassette, which encloses it completely

for long-lasting attractiveness the awning has been powder coated

in the case of manual operation it is supplied with a markilux stainless steel winding handle – quality to get to grips with

### Technical Specification

robust, self-supporting cassette made of extruded aluminium

extremely sturdy, stainless steel side cheek, sheathed in plastic and powder coated

operation by means of a smooth gearbox and universal joint

sturdy, attractive front profile with spring-assisted closing mechanism – closes the cassette automatically as the awning is retracted

gas pistons in the arms ensure that the cover stays taut

### Optional Accessories

hard-wired motor operation (optionally with automatic weather controls) for straightforward and easy operation

radio-controlled motor with radio remote control for ease of use

an easily installed, radio control light and wind sensor guarantees comfort and a degree of safety – even in your absence

the telescopic accro bars make installations on balconies possible, where there is nowhere to fix the arms

### Dimensions and configuration options

TL	AL	M														M min.	
		75	100	150	200	250	300	350	400	450	500	550	600	650	700		
		75	76 100	101 150	151 200	201 250	251 300	301 350	351 400	401 450	451 500	501 550	551 600	601 650	651 700		
160	80															74,5	73,5
200	100																
250	120																
250	150																

=     
 =     
 = 
dimensions in cm

#### Operation / Drive unit

	standard	optional
winding handle operation	<input checked="" type="checkbox"/>	—
interior manual operation	—	<input checked="" type="checkbox"/> <sup>1)</sup>
manual operation from the rear	—	<input checked="" type="checkbox"/> <sup>1)</sup>
hard-wired motor	—	<input checked="" type="checkbox"/>
radio-controlled motor (433 MHz)	—	<input checked="" type="checkbox"/>
io radio-controlled motor	—	<input checked="" type="checkbox"/>

1) up to a maximum awning width of 400 cm

#### Covers

	fabric range no.	standard	optional
sunsilk snc	324 xx / 328 xx / 369 xx	<input checked="" type="checkbox"/>	—
sunvas snc	310 xx / 311 xx 313 xx — 315 xx	<input checked="" type="checkbox"/>	—
perfortex	332 xx	<input checked="" type="checkbox"/>	—
sunsilk perla FR	374 xx	—	<input checked="" type="checkbox"/>
transolair	338 xx	—	<input checked="" type="checkbox"/>
vuscreen ALU	317 xx	—	<input checked="" type="checkbox"/>
sunvas perla	370 xx	—	<input checked="" type="checkbox"/>





#### Coupled units

	standard	optional
2 fields	—	<input checked="" type="checkbox"/>

= hard-wired motor	= radio-controlled motor (433 MHz)	<b>M</b> = overall awning width
= no. of drop arms	= roller tube support bearing (split cover)	<b>M min.</b> = minimum width
= no. of fixture brackets per cassette		<b>TL</b> = cover length
		<b>AL</b> = arm length

01  
02  
03  
04  
05  
06  
07  
08  
09  
10  
**11**  
12  
13  
14  
15  
16  
17  
18  
19  
20  
21

### Frame colours

		standard	optional
traffic white	RAL 9016		
metallic aluminium	RAL 9006		
grey brown, similar to	RAL 8019		
non-standard powder-coated finish			

Colours similar to those in the RAL chart. Colours may differ slightly from those depicted in both hue and finish.

### Miscellaneous

	standard	optional
light and wind sensor	—	<input checked="" type="checkbox"/>
wedge-in accro bars	—	<input checked="" type="checkbox"/>

### Dimensions and tolerances

	width	drop
housing tolerances	+5 / -10	
awning cover width = awning width	-80 <sup>1)</sup> -110 <sup>2)</sup> -90 <sup>3)</sup>	
awning cover length = cover length		

- 1) motor dimensions in mm  
2) manual operation  
3) manual operation from the rear

## Additional Information

The width of the awning cover is always **less** than that of the awning.

**Standard manual operation** with bayonet fitting and universal joint made of stainless steel is operated from outside the building (winding handle lengths 110, 140, 160, 180 or 220 cm).

**Manual interior operation** with universal joint:

This operation type requires exact fixture, usually means high (labour) costs for the end consumer and can only be employed on single units. We therefore recommend the use of a radio-controlled motor.

**Manual operation** using a universal joint and **from the rear**:

This operation type should be used in installations when the system can be approached from the rear (e.g. on balconies).

In the case of **manual operation** it takes approximately 24 turns per metre of overall unit height to extend the system.

In the case of **motor operation** the awning will take approx. **15 seconds per metre to extend.**

**N.B!** If the **motor is used continuously** it will stop automatically after 3 to 4 minutes **to prevent overheating.**

In the case of a **bank of awnings operating simultaneously**, the same speed of rotation of the motors cannot be guaranteed because of the internal tolerances of the motors.

A maximum of **two single units** may be joined to make a **coupled unit**, which may have a maximum of 4 arms and will only be supplied with a motor (surcharge).

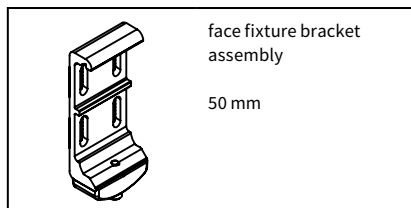
In the case of asymmetrical, **coupled units**, the larger field may be no more than twice as large as the smaller field.

Depending on the size of the blind, deflection may be in evidence in individual profiles and sections of profile which is completely unavoidable. This affects neither the functionality nor the durability of the awning.

The maximum width of coupled units is 2 × 400 cm.

## Fixtures, fittings and accessories

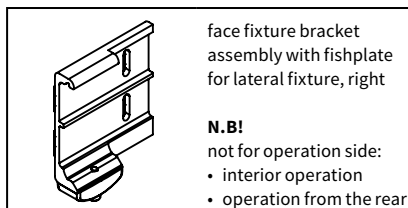
### markilux 730



face fixture bracket assembly

50 mm

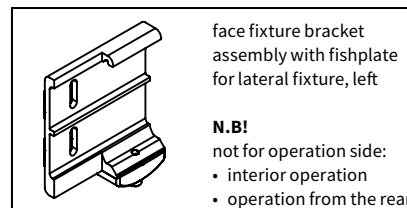
78797.



face fixture bracket assembly with fishplate for lateral fixture, right

**N.B!**  
not for operation side:  
• interior operation  
• operation from the rear

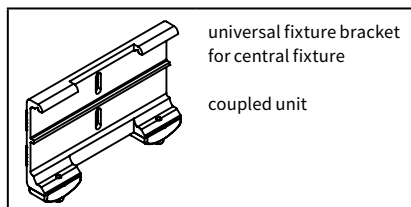
78920.



face fixture bracket assembly with fishplate for lateral fixture, left

**N.B!**  
not for operation side:  
• interior operation  
• operation from the rear

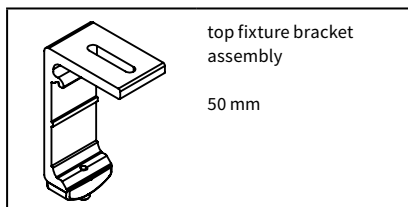
78921.



universal fixture bracket for central fixture

coupled unit

78922.

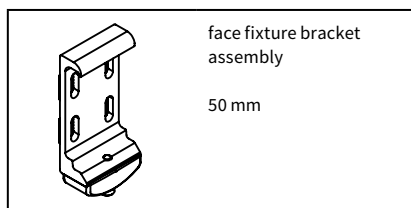


top fixture bracket assembly

50 mm

78859.

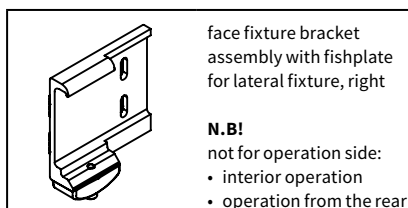
### markilux 830



face fixture bracket assembly

50 mm

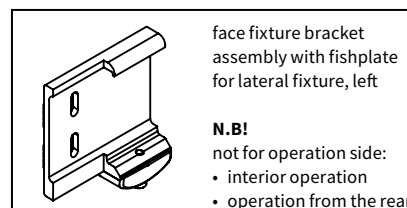
78726.



face fixture bracket assembly with fishplate for lateral fixture, right

**N.B!**  
not for operation side:  
• interior operation  
• operation from the rear

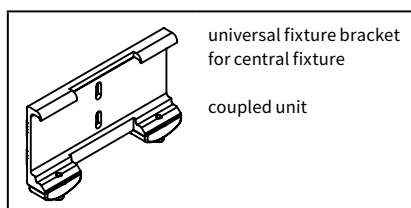
78748.



face fixture bracket assembly with fishplate for lateral fixture, left

**N.B!**  
not for operation side:  
• interior operation  
• operation from the rear

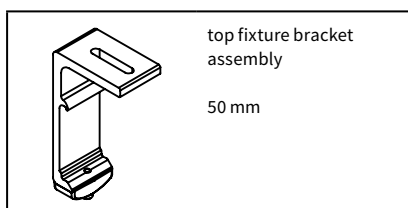
78749.



universal fixture bracket for central fixture

coupled unit

78745.



top fixture bracket assembly

50 mm

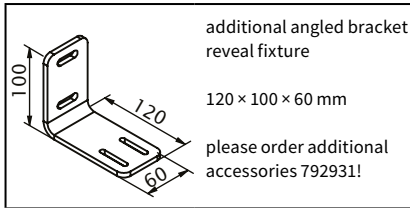
78727.

- 01
- 02
- 03
- 04
- 05
- 06
- 07
- 08
- 09
- 10
- 11
- 12
- 13
- 14
- 15
- 16
- 17
- 18
- 19
- 20
- 21

. = insert RAL colour code no.

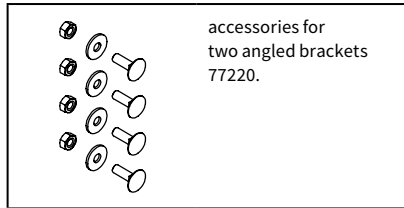
## Fixtures, fittings and accessories

markilux 730 / 830



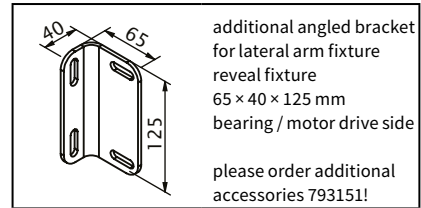
additional angled bracket  
reveal fixture  
120 × 100 × 60 mm  
please order additional  
accessories 792931!

**77220.**



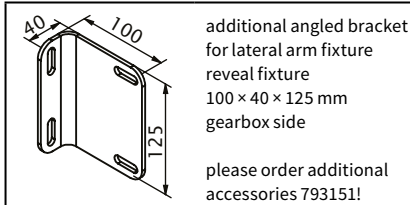
accessories for  
two angled brackets  
77220.

**792931**



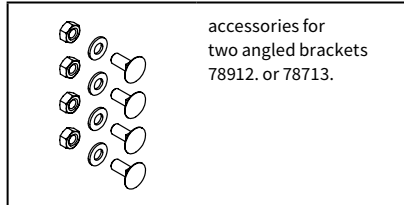
additional angled bracket  
for lateral arm fixture  
reveal fixture  
65 × 40 × 125 mm  
bearing / motor drive side  
please order additional  
accessories 793151!

**78912.**



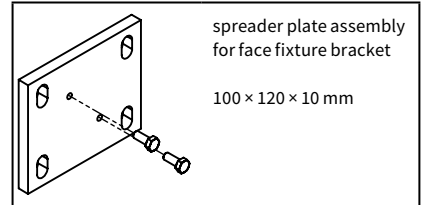
additional angled bracket  
for lateral arm fixture  
reveal fixture  
100 × 40 × 125 mm  
gearbox side  
please order additional  
accessories 793151!

**78913.**



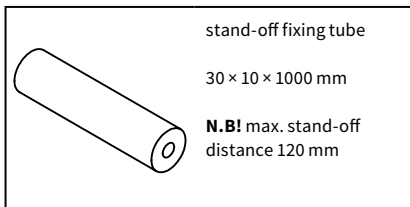
accessories for  
two angled brackets  
78912. or 78713.

**793151**



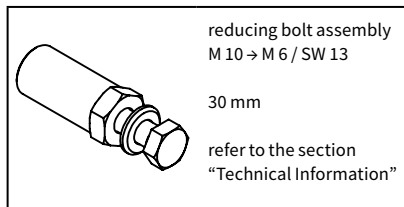
spreader plate assembly  
for face fixture bracket  
100 × 120 × 10 mm

**78982.**



stand-off fixing tube  
30 × 10 × 1000 mm  
**N.B!** max. stand-off  
distance 120 mm

**701668**



reducing bolt assembly  
M 10 → M 6 / SW 13  
30 mm  
refer to the section  
"Technical Information"

**753211**

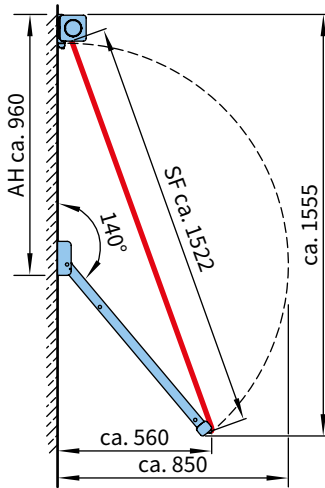
. = insert RAL colour code no.



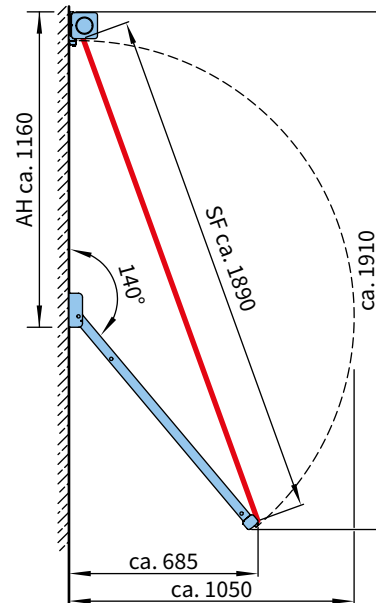
# Window coverage at different cover lengths

on the basis of the standard arm lengths

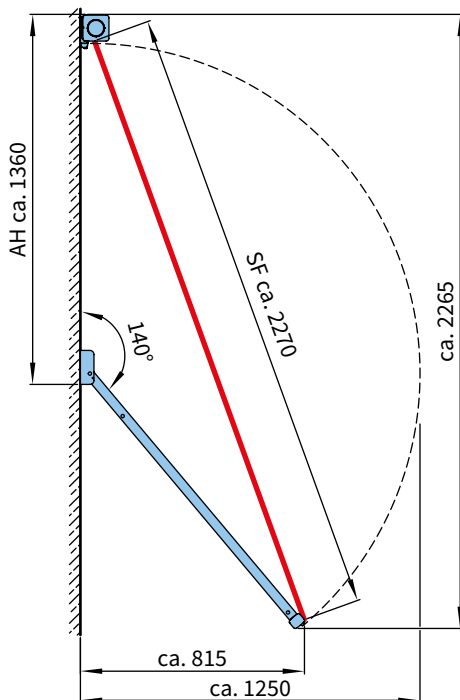
Arm length 80 cm  
cover length 160 cm



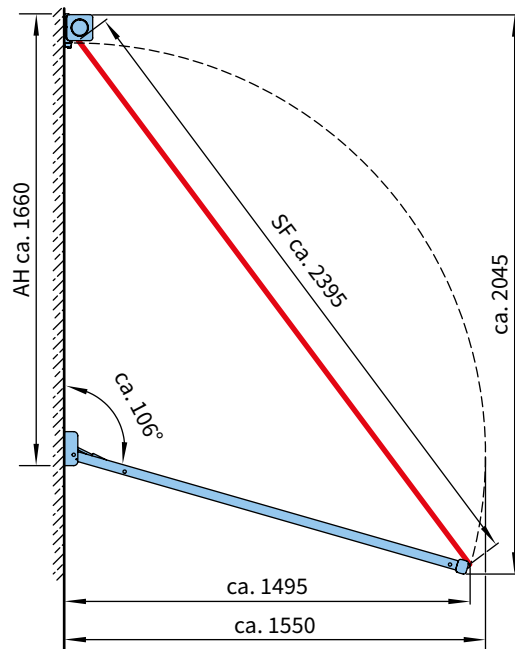
Arm length 100 cm  
cover length 200 cm



Arm length 120 cm  
cover length 250 cm



Arm length 150 cm  
cover length 250 cm



AH = unit height

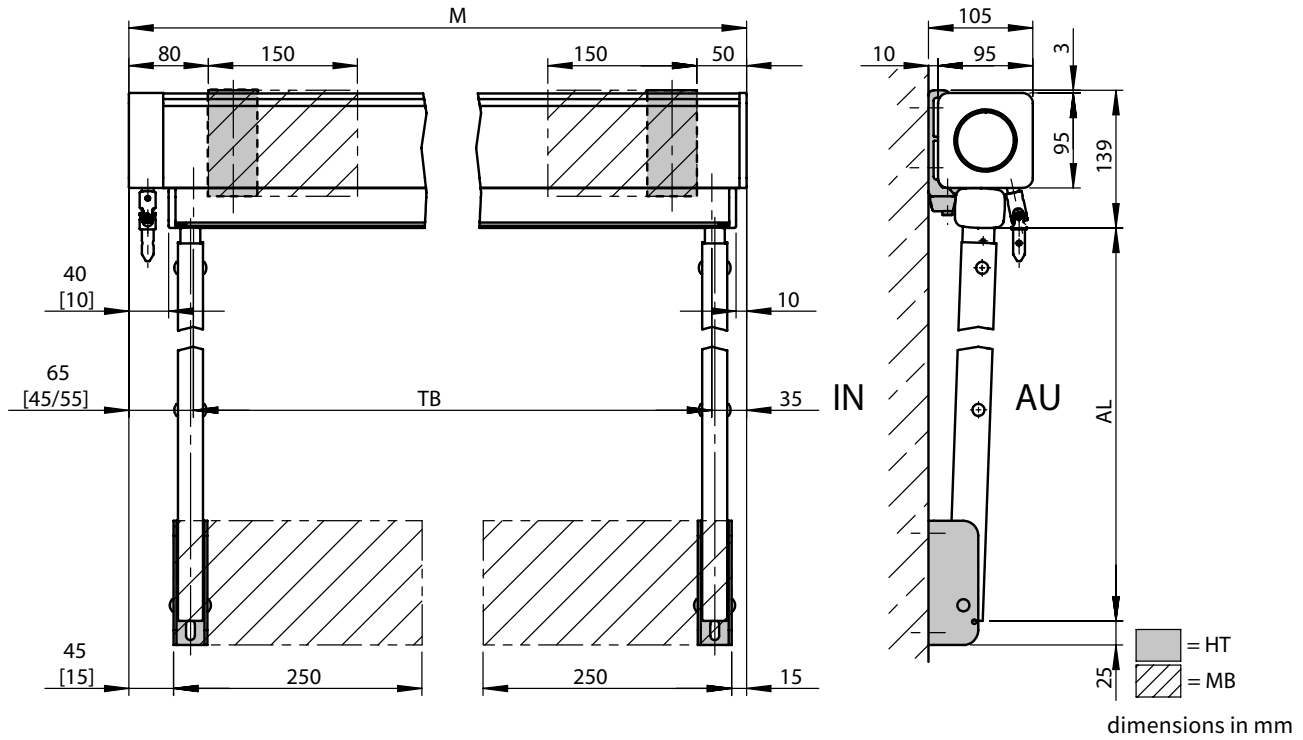
SF = visible cover length

dimensions in mm

- 01
- 02
- 03
- 04
- 05
- 06
- 07
- 08
- 09
- 10
- 11
- 12
- 13
- 14
- 15
- 16
- 17
- 18
- 19
- 20
- 21

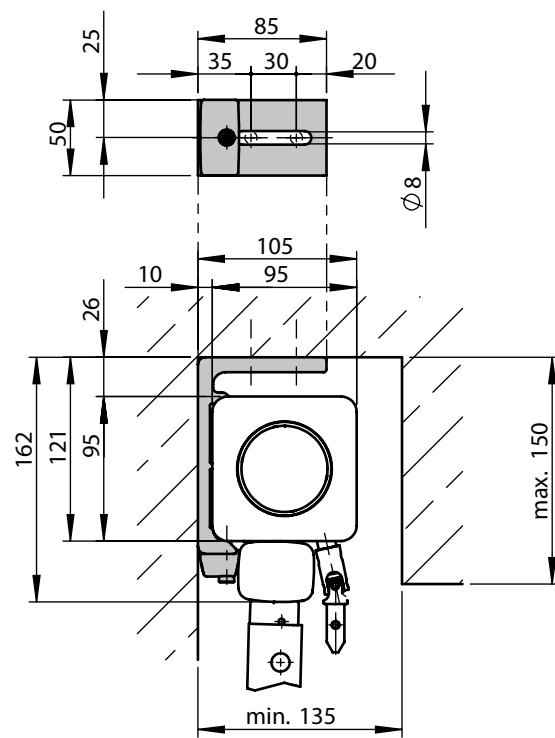
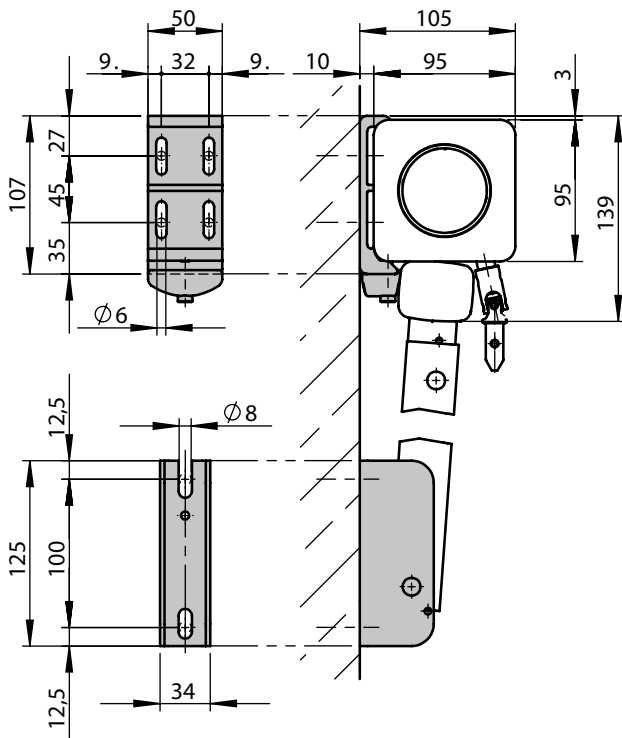
# Dimension overviews markilux 730

## Dimension overview



### Face fixture

### Top and reveal fixture



dimensions in mm

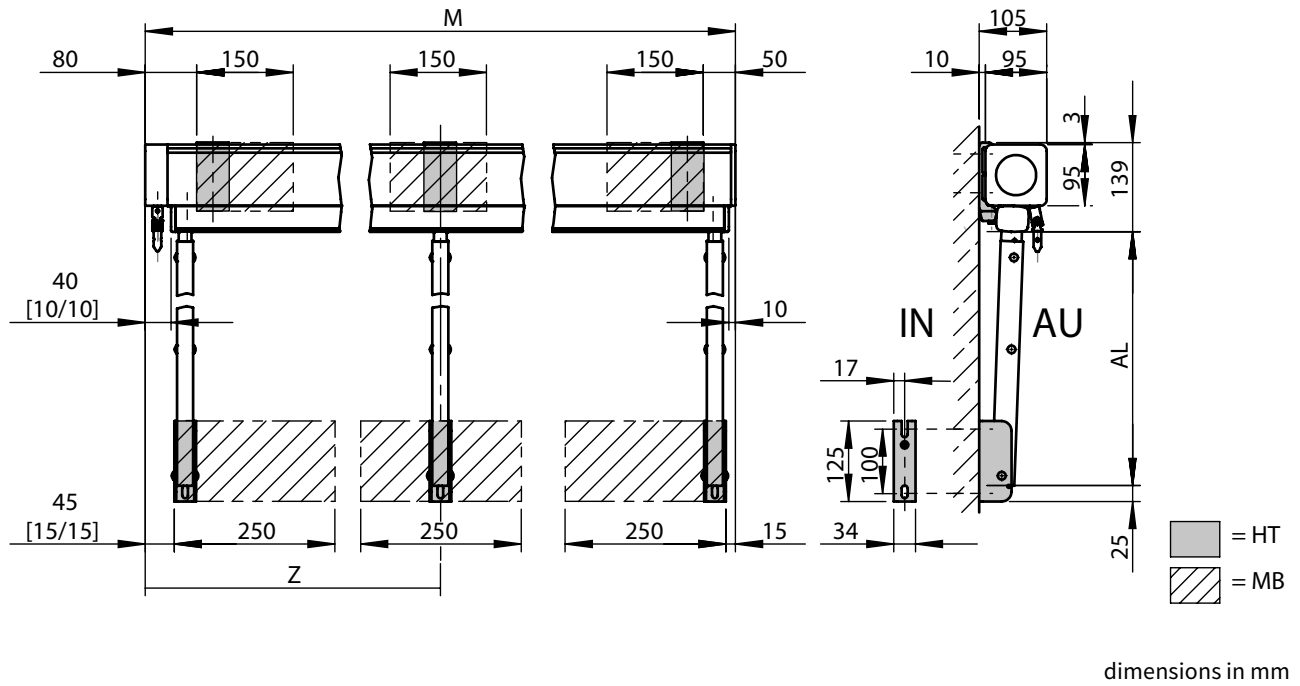
- M = awning width
- MB = bracket fixture range
- TB = cover width
- HT = bracket
- AU = exterior

- IN = interior
- AL = arm lengths
- [...] = dimensions in the case of motor / interior operation

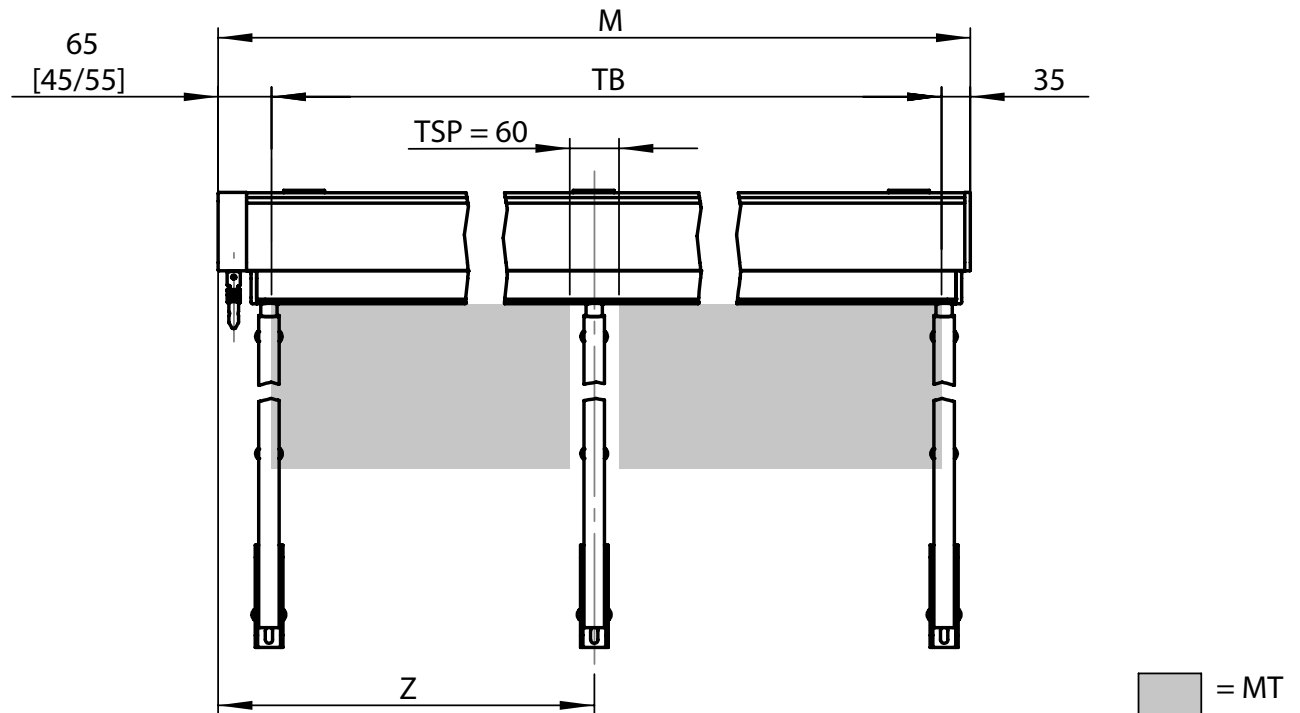


### Dimension overviews markilux 730

Dimensions in the case of three arms



Dimensions in the case of three arms and a split cover



M = awning width

MB = bracket fixture range

TB = cover width

HT = bracket

AU = exterior

IN = interior

AL = arm lengths

TSP = cover gap

Z = please note where the gap in the cover should be when ordering  
(measured from the left!)

MT = awning cover

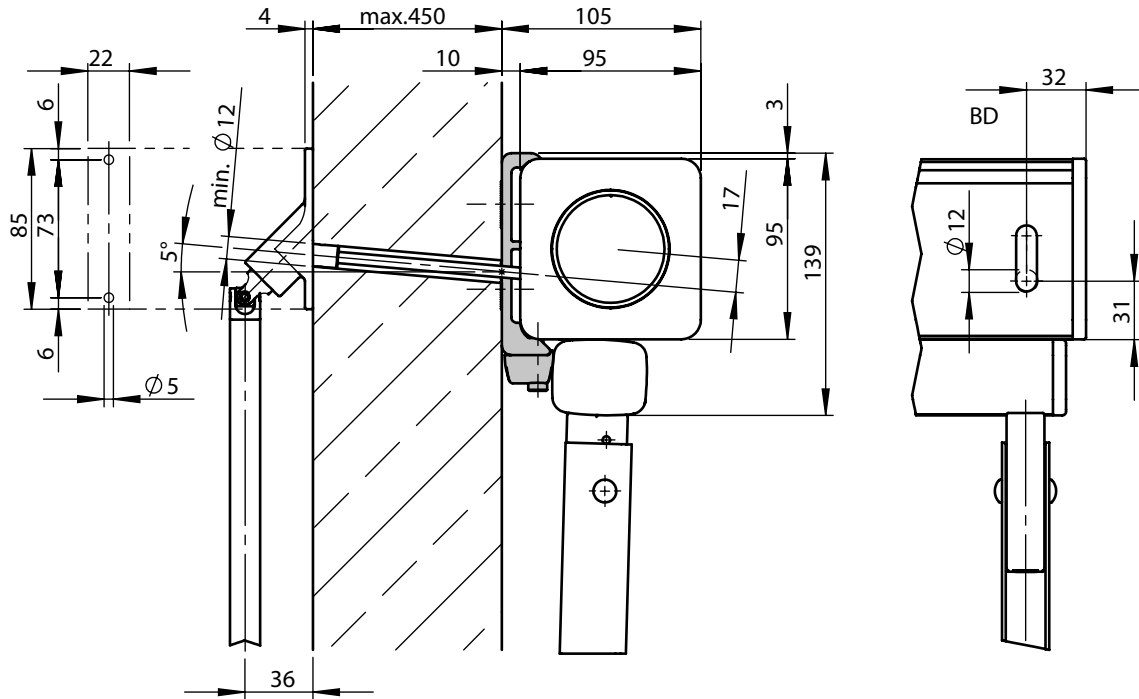
[...] = dimensions in the case of motor / interior operation

dimensions in mm

- 01
- 02
- 03
- 04
- 05
- 06
- 07
- 08
- 09
- 10
- 11
- 12
- 13
- 14
- 15
- 16
- 17
- 18
- 19
- 20
- 21

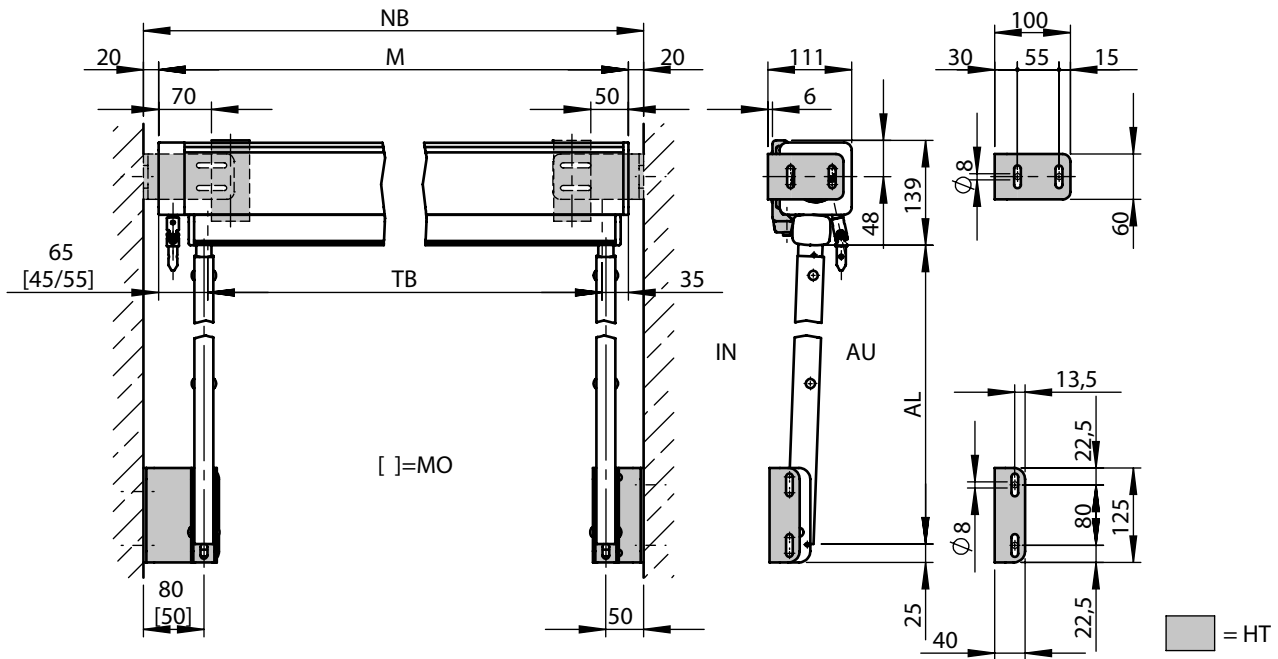
### Dimension overviews markilux 730

Face fixture with interior operation



dimensions in mm

Reveal fixture in the case of gearbox / motor operation



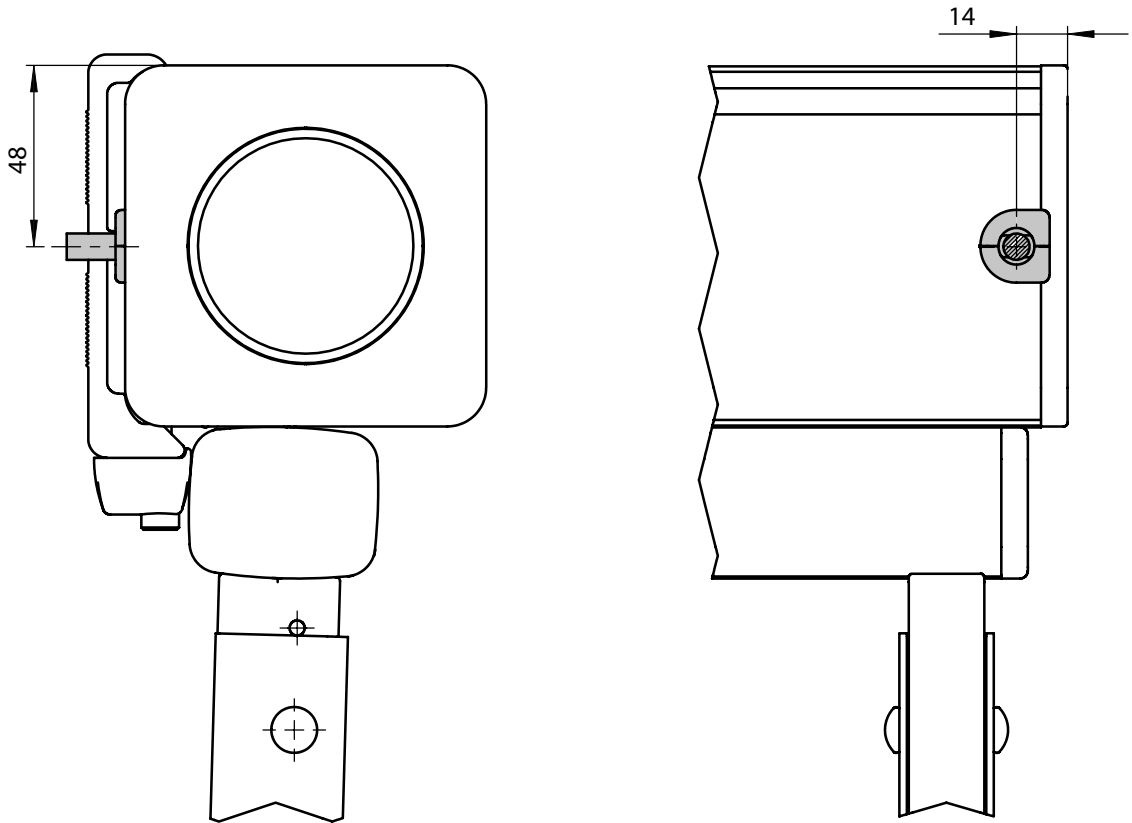
dimensions in mm

- M = awning width
- NB = bracket fixture range
- TB = cover width
- AU = bracket
- IN = exterior

- IN = interior
- AL = arm lengths
- HT = bracket
- BD = horizontal drill hole
- [...] = dimensions in the case of motor / interior operation

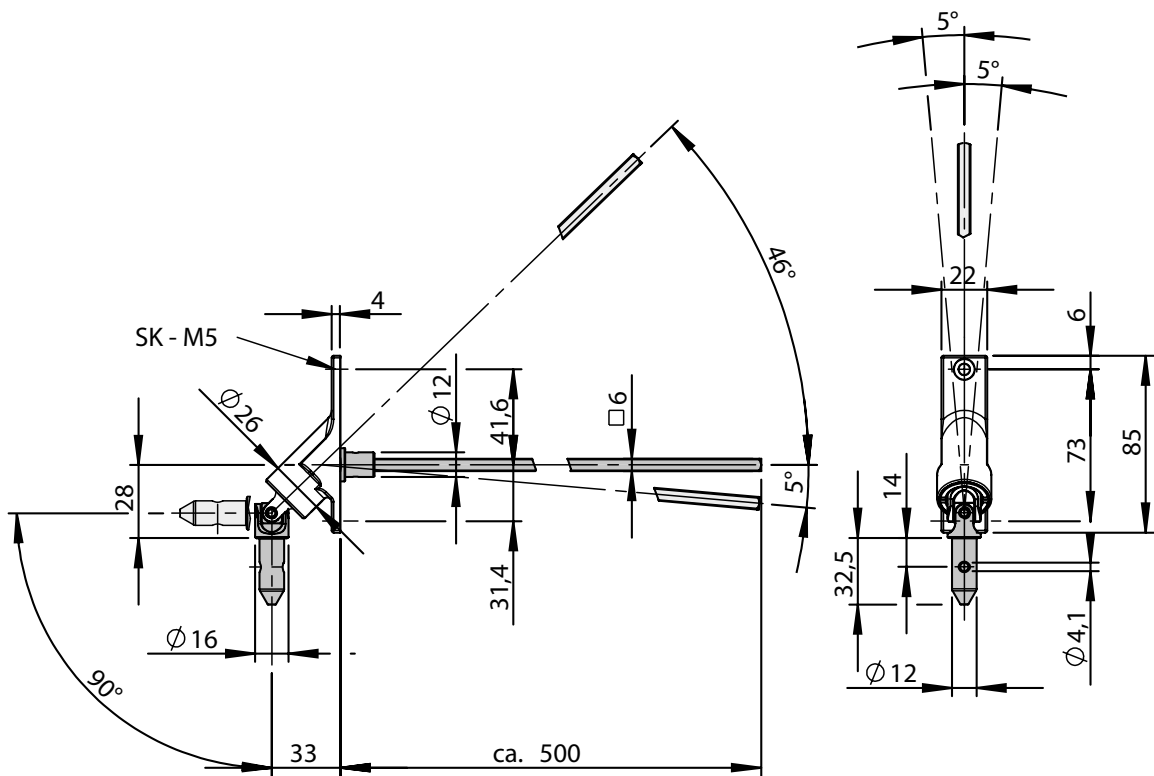
**Dimension overviews markilux 730**

Cable exit point in the case of motor-driven units



dimensions in mm

Winding handle for interior operation  $\varnothing$  16 mm up to a vertical angle of  $90^\circ$  and a horizontal angle of  $5^\circ$



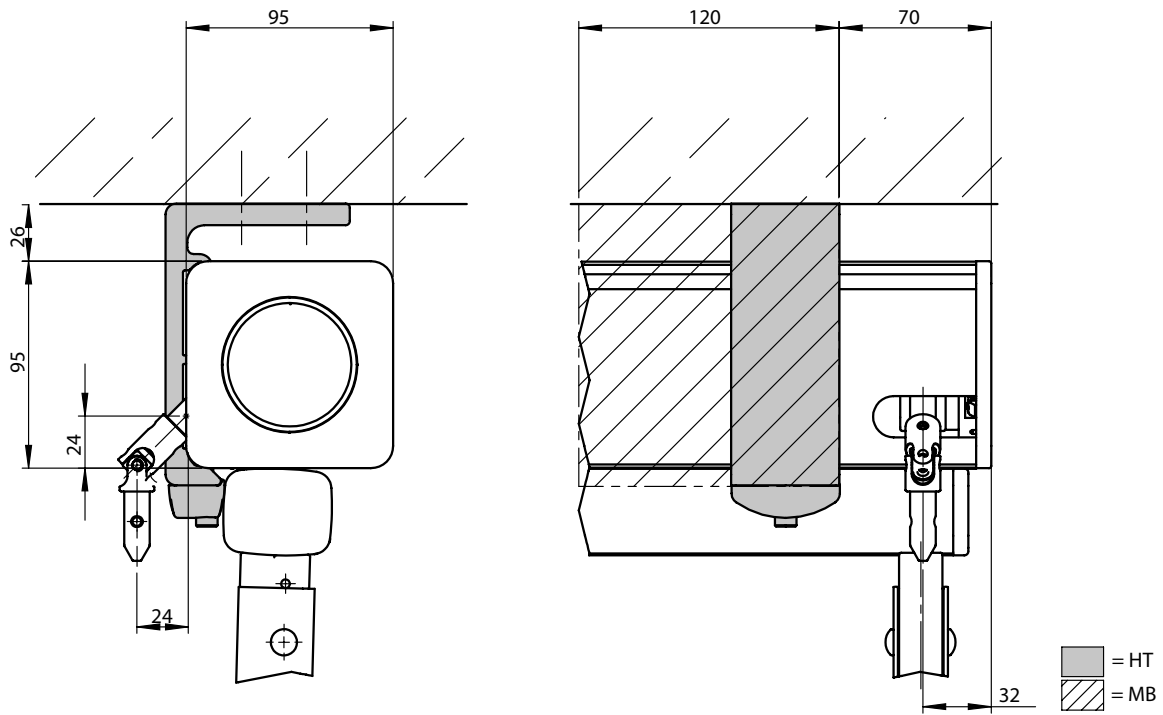
dimensions in mm

SK = chase out depth

- 01
- 02
- 03
- 04
- 05
- 06
- 07
- 08
- 09
- 10
- 11
- 12
- 13
- 14
- 15
- 16
- 17
- 18
- 19
- 20
- 21

## Dimension overviews markilux 730

Operation from the rear



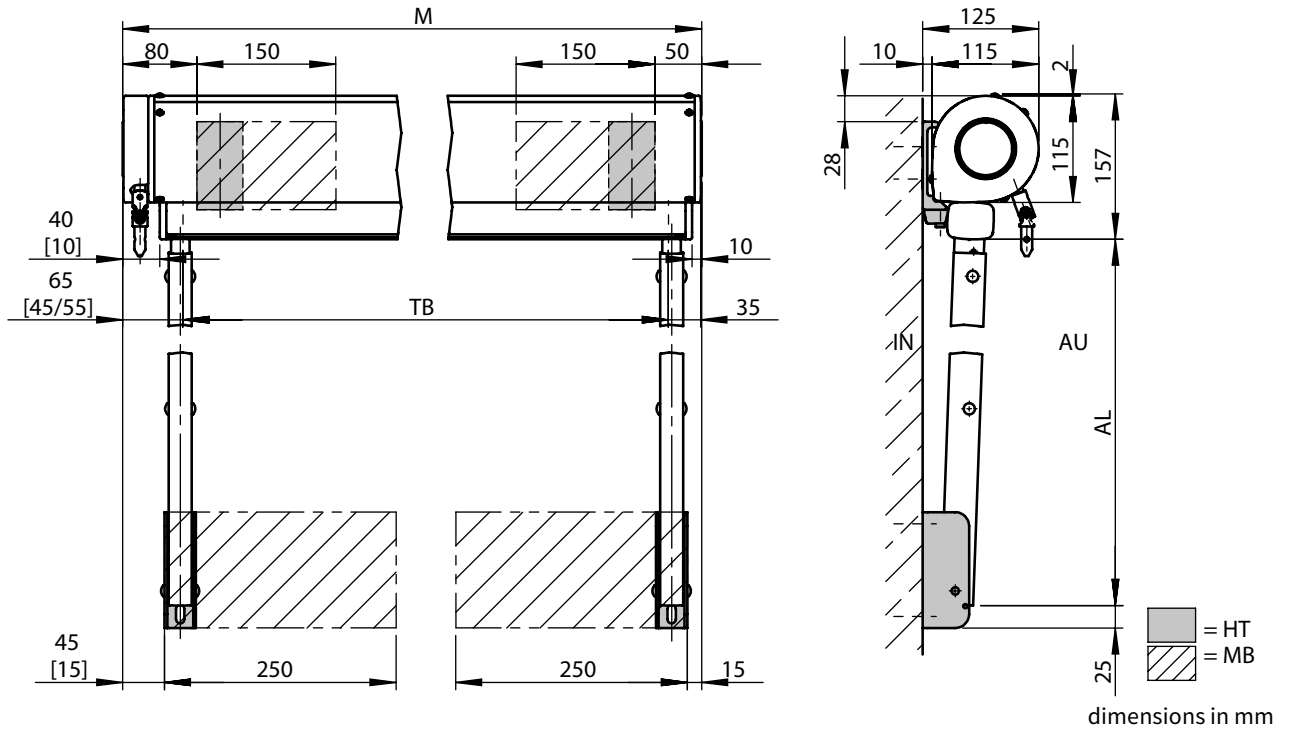
dimensions in mm

HT = bracket

MB = bracket fixture range

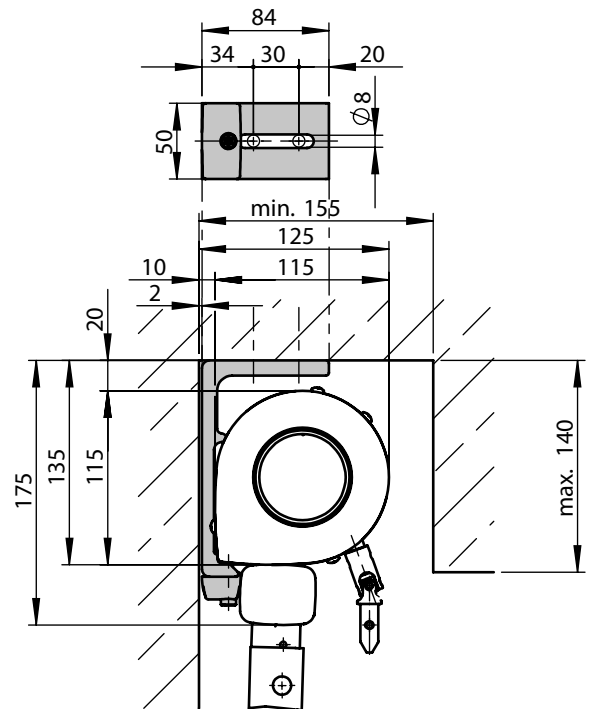
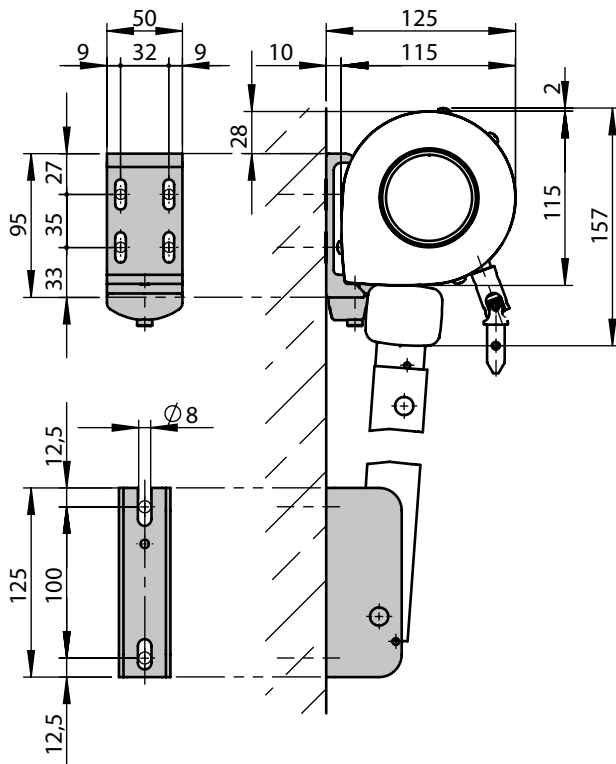
# Dimension overviews markilux 830

## Dimension overview



Face fixture

Top and reveal fixture



M = awning width  
 MB = bracket fixture range  
 TB = cover width  
 HT = bracket  
 AU = exterior

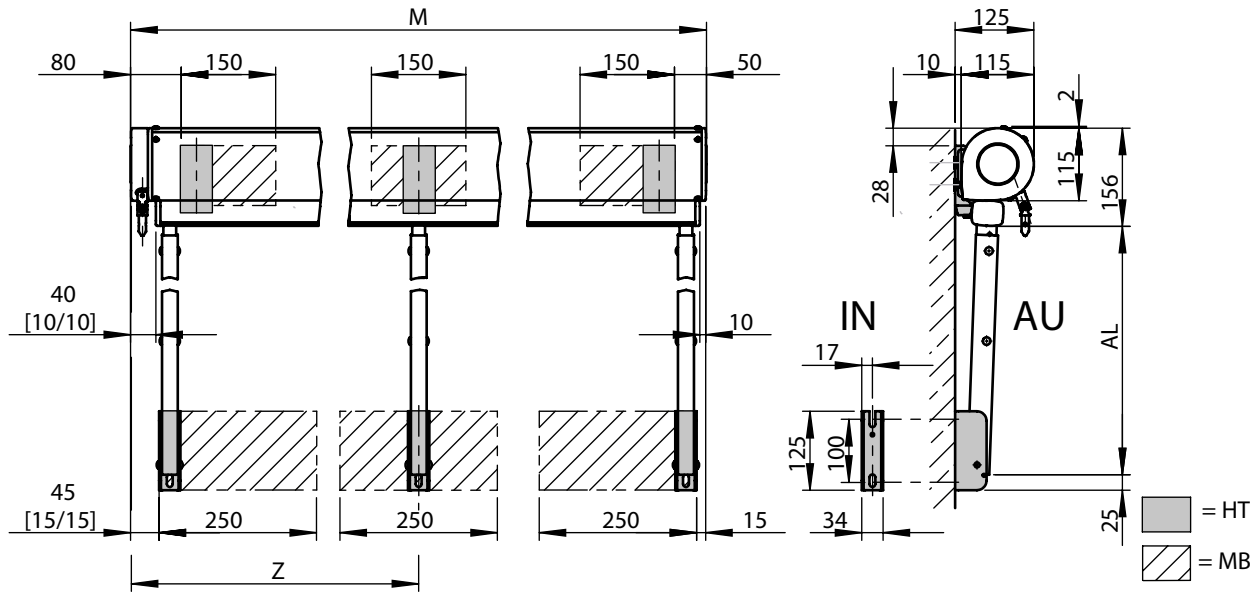
IN = interior  
 AL = arm lengths  
 [...] = dimensions in the case of motor / interior operation

dimensions in mm

- 01
- 02
- 03
- 04
- 05
- 06
- 07
- 08
- 09
- 10
- 11
- 12
- 13
- 14
- 15
- 16
- 17
- 18
- 19
- 20
- 21

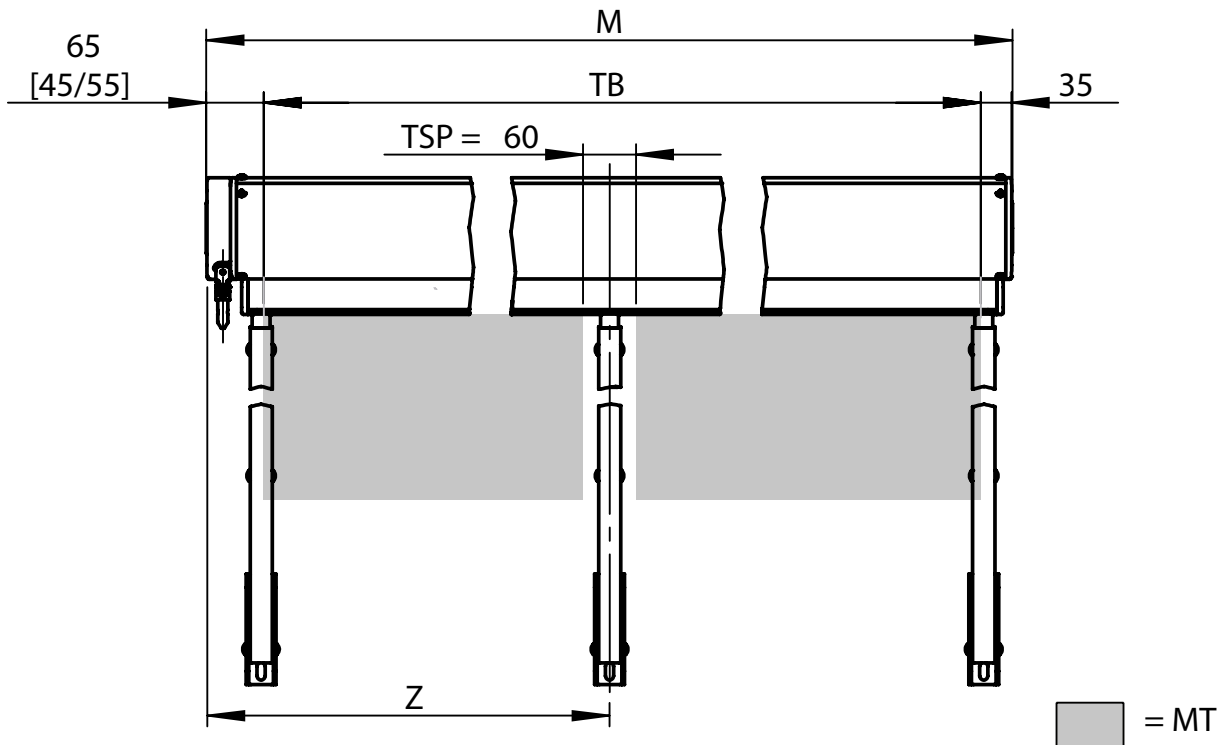
### Dimension overviews markilux 830

Dimensions in the case of three arms



dimensions in mm

Dimensions in the case of three arms and a split cover

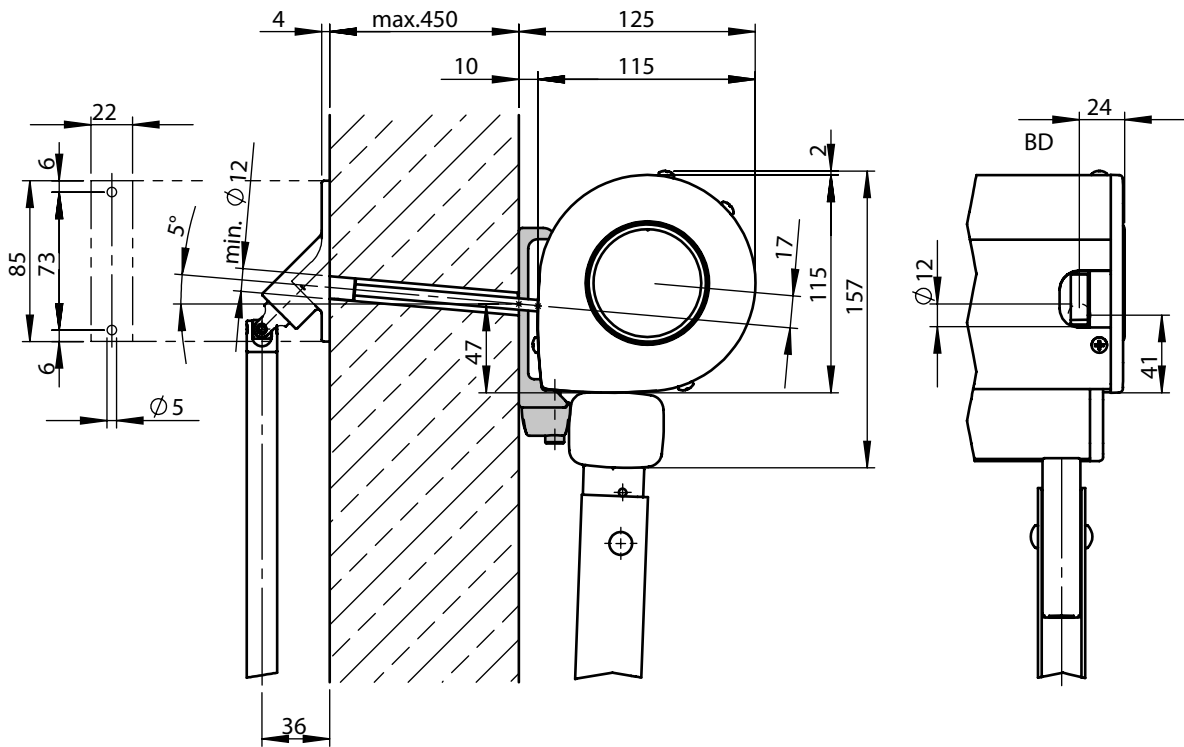


dimensions in mm

- M = awning width
- AL = arm lengths
- MB = bracket fixture range
- TSP = cover gap
- TB = cover width
- Z = please note where the gap in the cover should be when ordering (measured from the left)!
- HT = bracket
- MT = awning cover
- AU = exterior
- [...] = dimensions in the case of motor / interior operation
- IN = interior

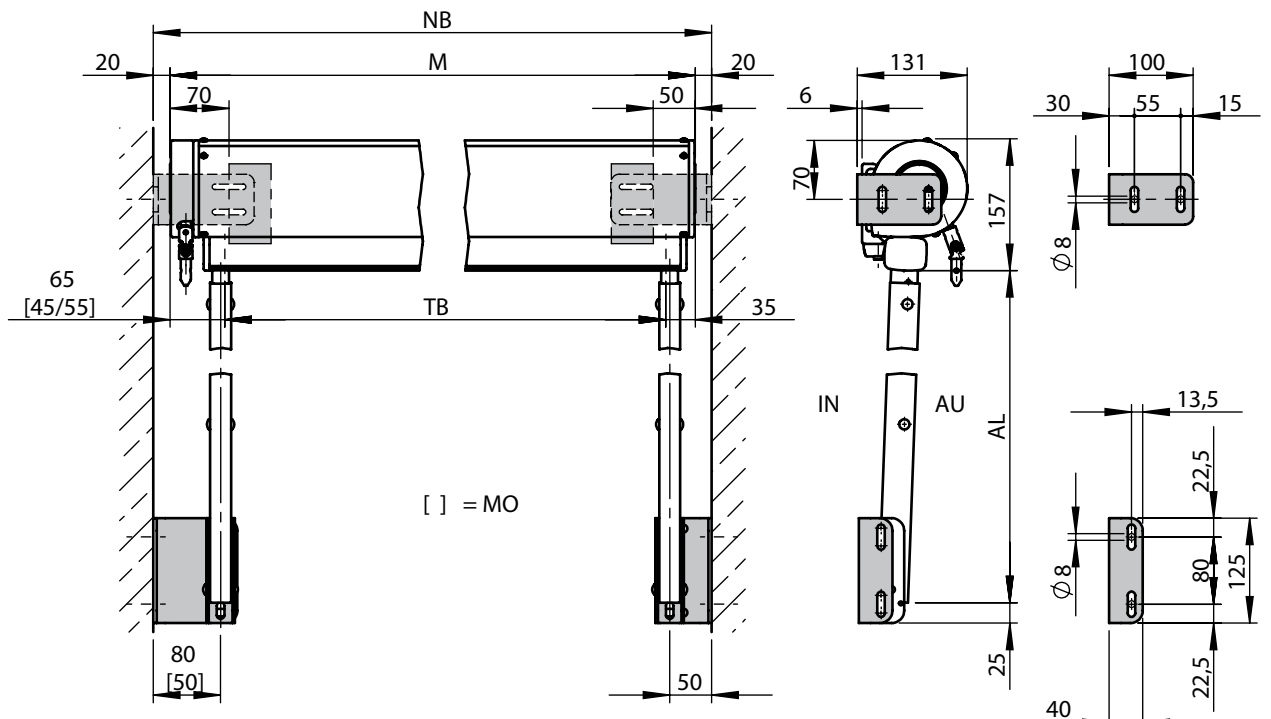
# Dimension overviews markilux 830

Face fixture with interior operation



dimensions in mm

Reveal fixture in the case of gearbox / motor operation



dimensions in mm

- M = awning width
- NB = reveal width
- TB = cover width
- AU = exterior

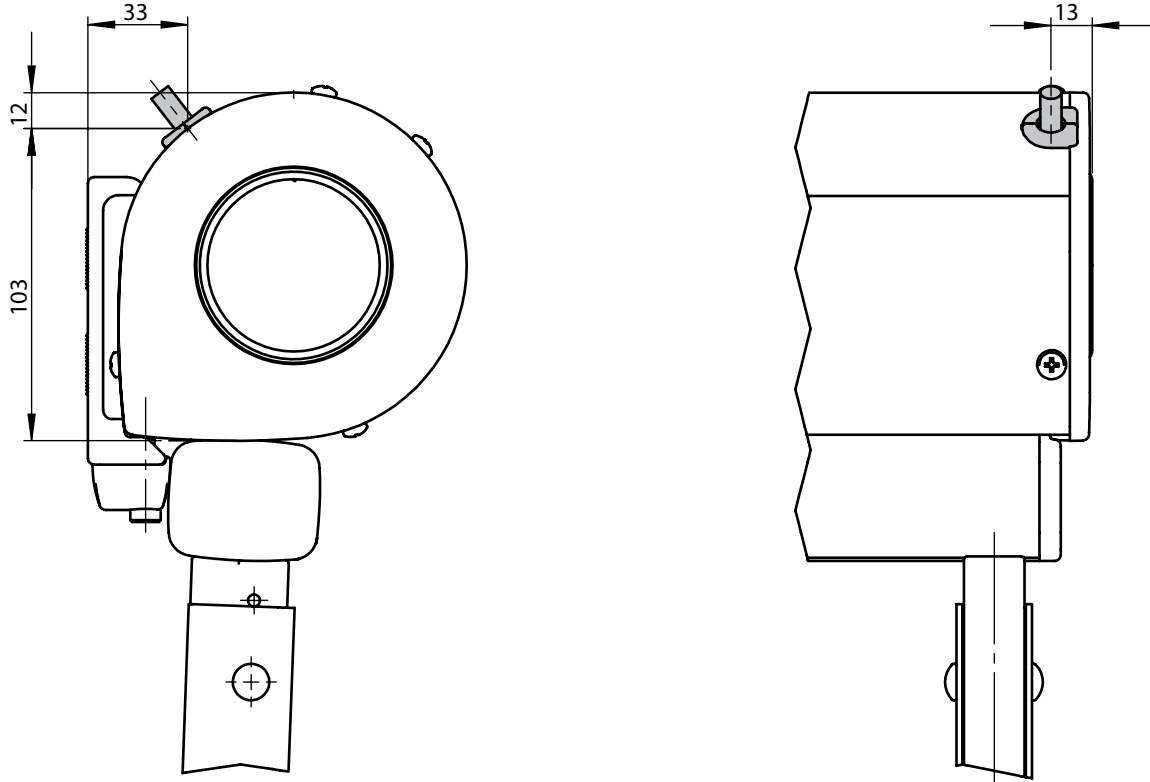
- IN = interior
- AL = arm length
- BD = horizontal drill hole
- [...] = dimensions in the case of motor / interior operation

- 01
- 02
- 03
- 04
- 05
- 06
- 07
- 08
- 09
- 10
- 11
- 12
- 13
- 14
- 15
- 16
- 17
- 18
- 19
- 20
- 21



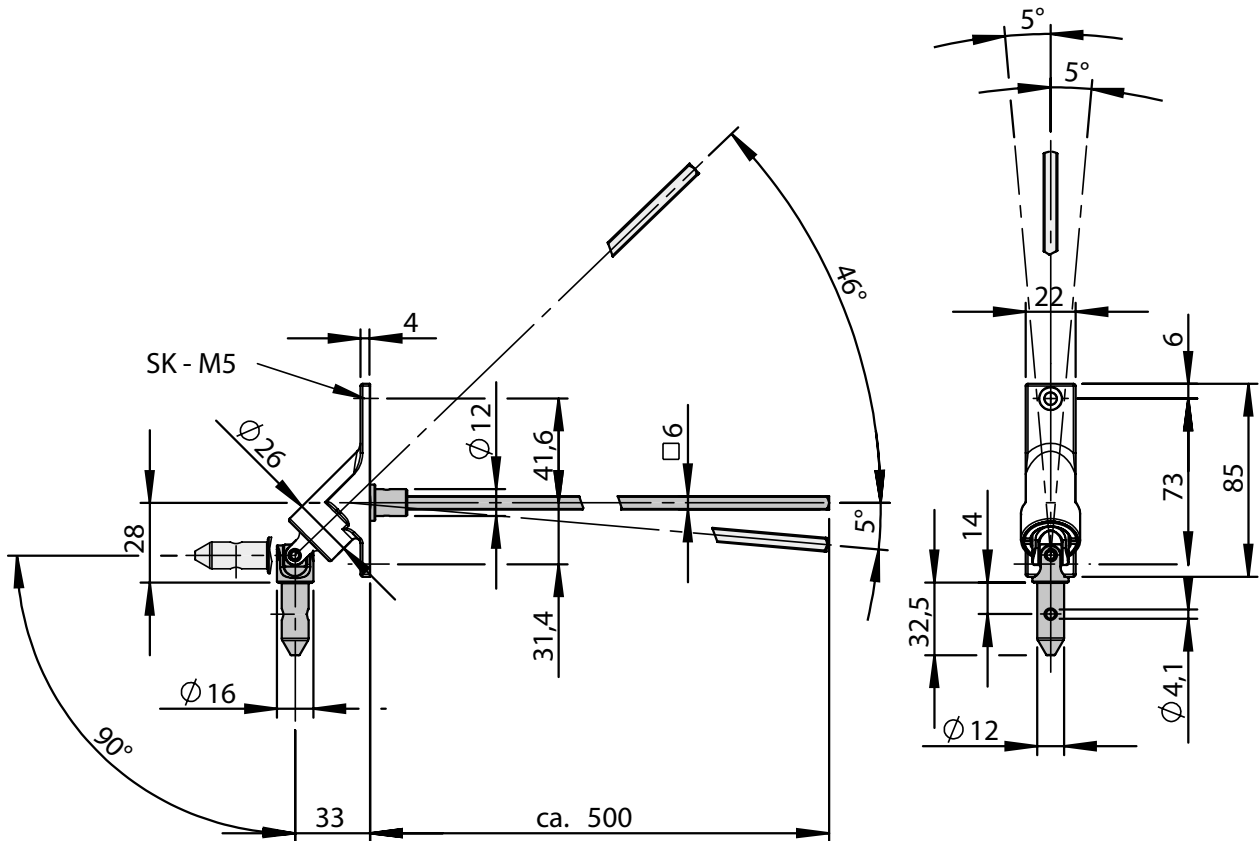
### Dimension overviews markilux 830

Cable exit point in the case of motor-driven units



dimensions in mm

Winding handle for interior operation  $\varnothing 16$  mm up to a vertical angle of  $90^\circ$  and a horizontal angle of  $5^\circ$

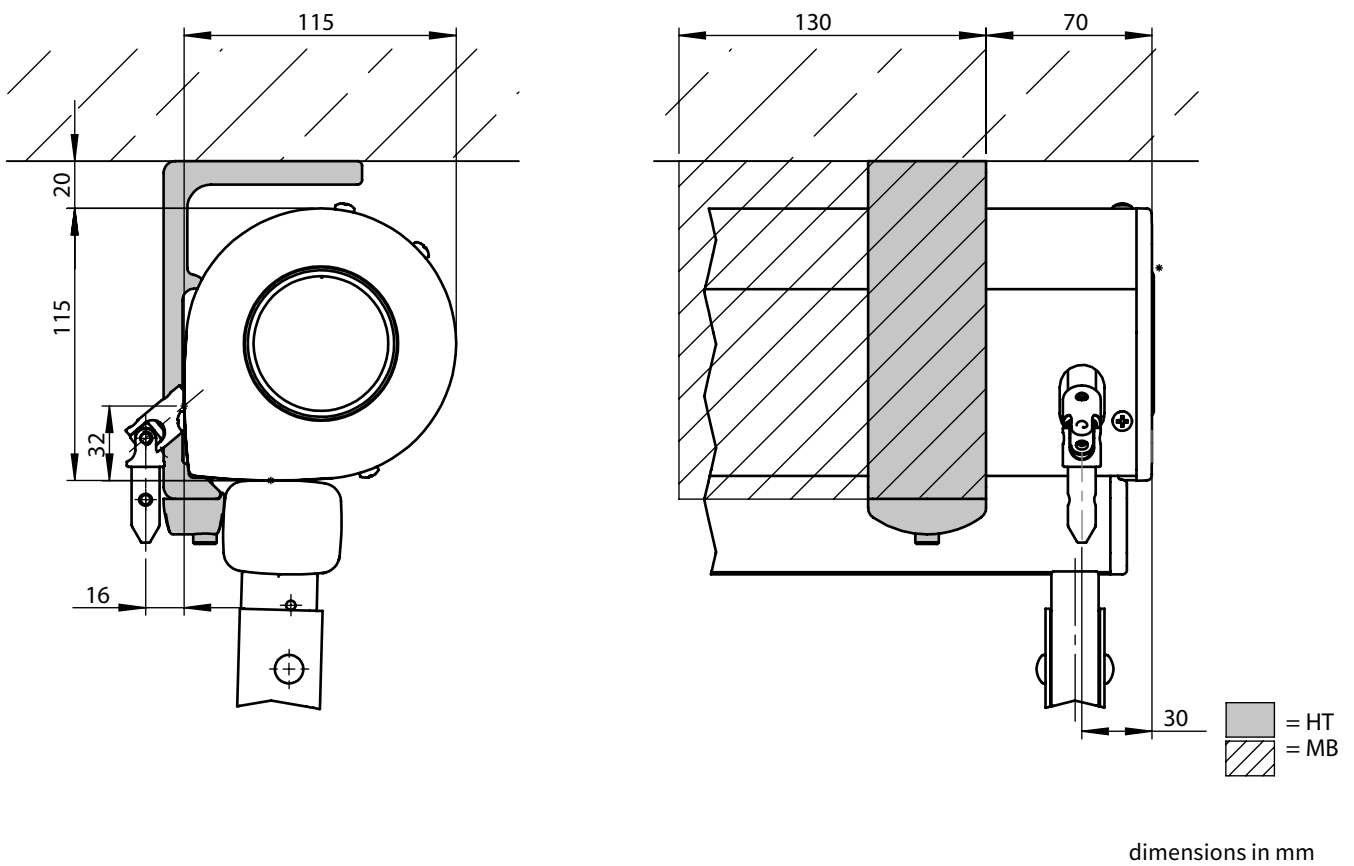


dimensions in mm

SK = chase out depth

## Dimension overviews markilux 830

Operation from the rear



- 01
- 02
- 03
- 04
- 05
- 06
- 07
- 08
- 09
- 10
- 11
- 12
- 13
- 14
- 15
- 16
- 17
- 18
- 19
- 20
- 21

HT = bracket  
MB = bracket fixture range

