



markilux 750 / 850

**The vertical cassette blind with stainless steel guide rods –
the elegant alternative to the conventional guide cable**

**rated to wind resistance class 2
(corresponds to Beaufort 5)**



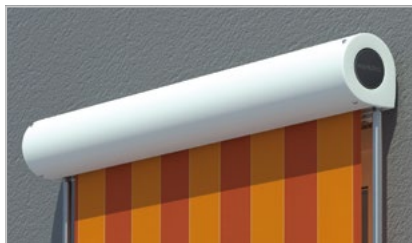
side view
markilux 750



side view
markilux 850



square cassette
markilux 750



round cassette
markilux 850



reveal fixture,
square cassette
markilux 750



reveal fixture,
round cassette
markilux 850



stand-off bracket
with stainless
steel guide rod

Design Features

vertical blind: complete protection from the sun and inquisitive glances

the markilux 750: compact, square and discreet, the cassette profile made of extruded aluminium is only 95 mm in height

the cover is guided down stainless steel rods

for long-lasting attractiveness the blind has been powder coated

when retracted the cover is protected from the weather by the cassette, which encloses it completely

Technical Specification

robust, self-supporting cassette made of extruded aluminium

operation by means of a smooth gearbox and universal joint

also available as a coupled unit to span large widths

extremely sturdy, stainless steel side cheek, sheathed in plastic and powder coated

Optional Accessories

hard-wired motor operation (optionally with automatic weather controls) for straightforward and easy operation

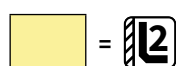
radio-controlled motor with radio remote control for ease of use

an easily installed, radio control light and wind sensor guarantees comfort and a degree of safety – even in your absence

handle for interior operation. Manual operation from inside the room

Dimensions and configuration options

		75	100	150	200	250	300	350	400	450	500		
		74 75	76 100	101 150	151 200	201 250	251 300	301 350	351 400	401 450	451 500		
	120											77.5	76.5
	160												
	200												
	250												
	300												
	350												



dimensions in cm

Operation / Drive unit

	standard	optional
winding handle operation	<input checked="" type="checkbox"/>	—
interior operation	—	<input checked="" type="checkbox"/>
operation from the rear	—	<input checked="" type="checkbox"/>
hard-wired motor	—	<input checked="" type="checkbox"/>
io radio-controlled motor	—	<input checked="" type="checkbox"/>
radio-controlled motor (433 MHz)	—	<input checked="" type="checkbox"/>

Covers

	fabric range no.	standard	optional
sunsilk snc	324 xx / 328 xx / 369 xx	<input checked="" type="checkbox"/> 1)	—
sunvas snc	310 xx / 311 xx 313 xx — 315 xx	<input checked="" type="checkbox"/> 1)	—
sunsilk perla FR	374 xx	—	<input checked="" type="checkbox"/> 2)
transolair	338 xx	—	<input checked="" type="checkbox"/> 4)
perfortex	332 xx	<input checked="" type="checkbox"/> 2)	—
vuscreen ALU	317 xx	—	<input checked="" type="checkbox"/> 3)
sunvas perla	370 xx	—	<input checked="" type="checkbox"/> 2)

- 1) in the case of the markilux 750 up to a maximum unit height of 300 cm; from a certain height the cover will be made with horizontal panels
- 2) in the case of the markilux 750 up to a maximum unit height of 250 cm
- 3) only up to a width of 252 cm; in the case of the markilux 750 only seamless and up to a maximum unit height of 250 cm
- 4) cover seamless; from an overall blind width of 261 cm and a unit height of 248 cm with horizontal seam(s)

Coupled units

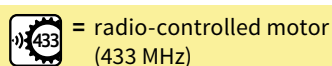
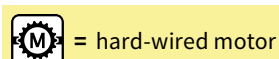
	standard	optional
2 fields	—	<input checked="" type="checkbox"/>

Dimensions and tolerances

	width	drop
housing tolerances	+5 / -10 mm	
blind cover width = overall width	-120 mm	
blind cover length = unit height		± 0 mm

Miscellaneous

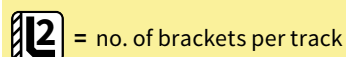
	standard	optional
light and wind sensor	—	<input checked="" type="checkbox"/>



M = overall blind width





M min. = minimum width

AH = unit height



01
02
03
04
05
06
07
08
09
10
11
12
13
14
15
16
17
18
19
20
21

Frame colours

		standard	optional
traffic white	RAL 9016		
metallic aluminium	RAL 9006		
grey brown, similar to	RAL 8019		
non-standard powder-coated finish			

Colours similar to those in the RAL chart. Colours may differ slightly from those depicted in both hue and finish.

Additional information

The width of the blind cover is always **less** than that of the blind. Please ask us about the cover sizes of coupled units.

Standard manual operation with bayonet fitting and universal joint made of stainless steel is operated from outside the building (winding handle lengths 110, 140, 160, 180 or 220 cm).

Manual interior operation with universal joint: This operation type requires exact fixture, usually means high (labour) costs for the end consumer and can only be employed on single units. We therefore recommend the use of a radio-controlled motor.

Manual operation using a universal joint and **from the rear**: This operation type should be used in installations when the system can be approached from the rear (e.g. on balconies).

In the case of **manual operation** it takes approximately 24 turns per metre of overall unit height to extend the system.

In the case of **motor operation** the blind will take approx. 15 seconds per metre to extend.

N.B! If the **motor is used continuously it will stop** automatically after 3 to 4 minutes **to prevent overheating**.

In the case of a **bank of blinds operating simultaneously**, the same speed of rotation of the motors cannot be guaranteed because of the internal tolerances of the motors.

When a **number of blinds** are installed adjacent to one another, the gap between the end caps of the markilux 750 has to be at least 18 mm and between end caps of the markilux 850 at least 22 mm.

Coupled units are only available with motor (surcharge).

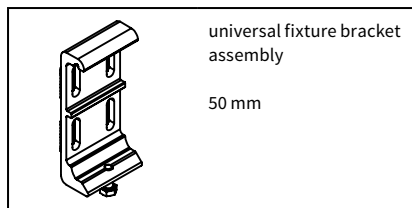
The maximum width of coupled units is 2 × 500 cm.

In the case of asymmetrical, coupled units, the larger field may be no more than twice as large as the smaller field.

Depending on the size of the blind, deflection may be in evidence in individual profiles and sections of profile which is completely unavoidable. This affects neither the functionality nor the durability of the awning.

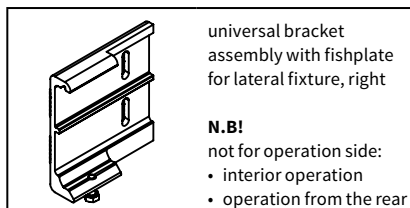
Fixtures, fittings and accessories

markilux 750



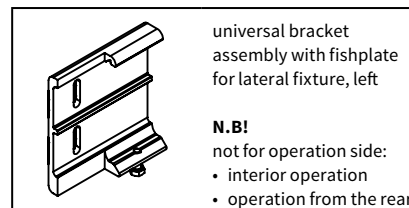
universal fixture bracket assembly
50 mm

78758.



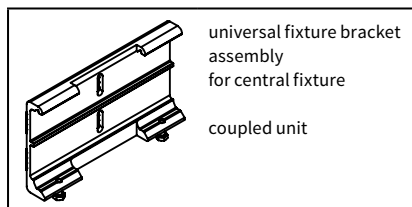
universal bracket assembly with fishplate for lateral fixture, right
N.B!
not for operation side:
• interior operation
• operation from the rear

78916.



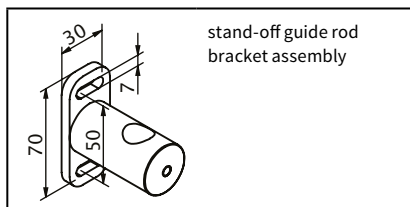
universal bracket assembly with fishplate for lateral fixture, left
N.B!
not for operation side:
• interior operation
• operation from the rear

78917.



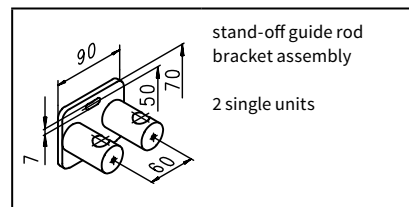
universal fixture bracket assembly for central fixture
coupled unit

78919.



stand-off guide rod bracket assembly

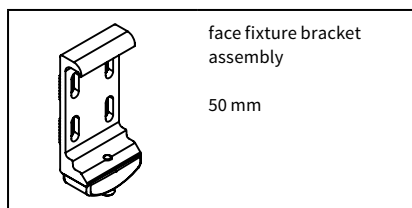
79359.



stand-off guide rod bracket assembly
2 single units

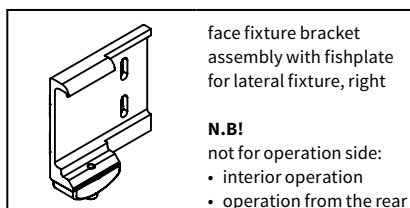
79374.

markilux 850



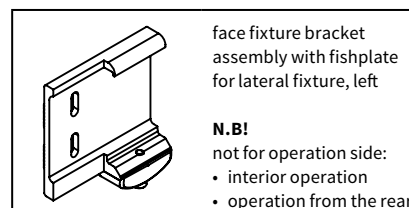
face fixture bracket assembly
50 mm

78726.



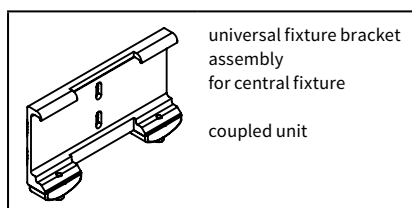
face fixture bracket assembly with fishplate for lateral fixture, right
N.B!
not for operation side:
• interior operation
• operation from the rear

78748.



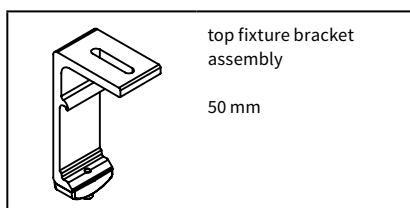
face fixture bracket assembly with fishplate for lateral fixture, left
N.B!
not for operation side:
• interior operation
• operation from the rear

78749.



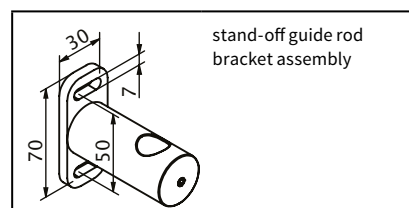
universal fixture bracket assembly for central fixture
coupled unit

78745.



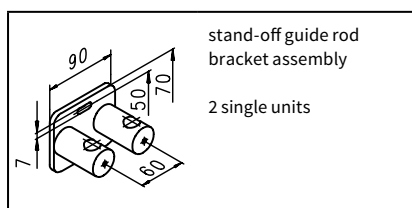
top fixture bracket assembly
50 mm

78727.



stand-off guide rod bracket assembly

79100.



stand-off guide rod bracket assembly
2 single units

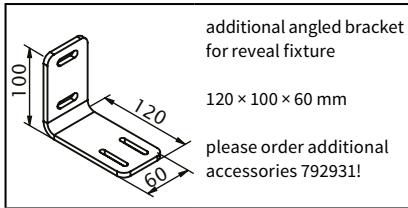
79462.

. = insert RAL colour code no.

- 01
- 02
- 03
- 04
- 05
- 06
- 07
- 08
- 09
- 10
- 11
- 12
- 13
- 14
- 15
- 16
- 17
- 18
- 19
- 20
- 21

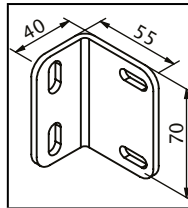
Fixtures, fittings and accessories

markilux 750 / 850



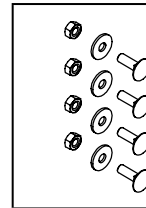
additional angled bracket for reveal fixture
120 × 100 × 60 mm
please order additional accessories 792931!

77220.



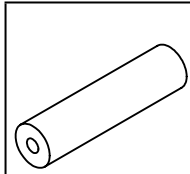
angled reveal bracket for guide rod bracket
40 × 55 × 70 mm
please order additional accessories 792931!

75044.



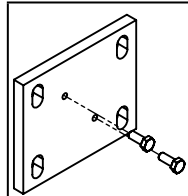
accessories for two angled brackets 77220. or 75044.

792931



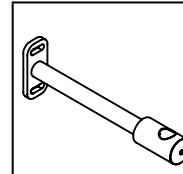
spacer tube for stand-off fixture
30 × 10 × 1000 mm
N.B! max. stand-off distance 120 mm

701668



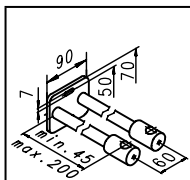
spreader plate assembly for face fixture / universal bracket
100 × 120 × 10 mm

78982.



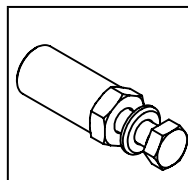
extended stand-off guide rod bracket assembly
200 mm

79112.



extended stand-off guide rod bracket assembly
2 single units

79375.



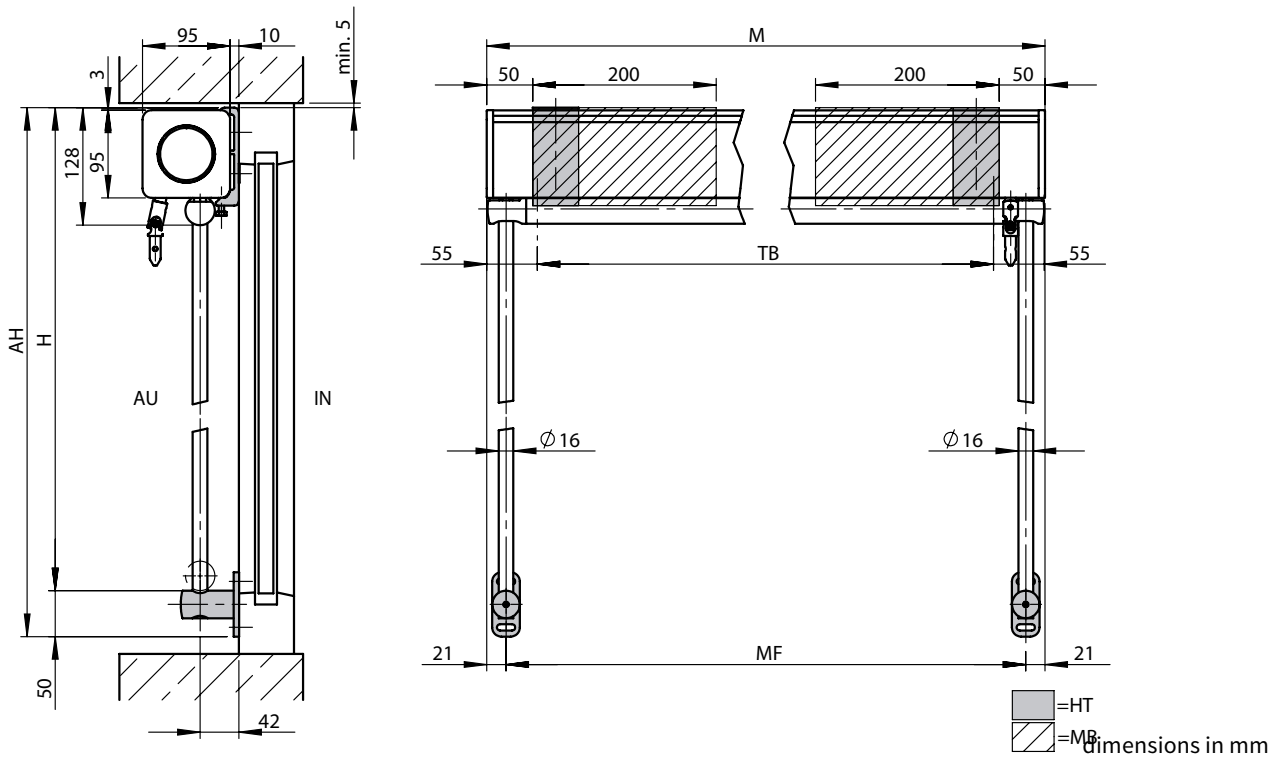
reducing bolt assembly M 10 → M 6 / SW 13
30 mm
refer to the section "Technical Information"

753211

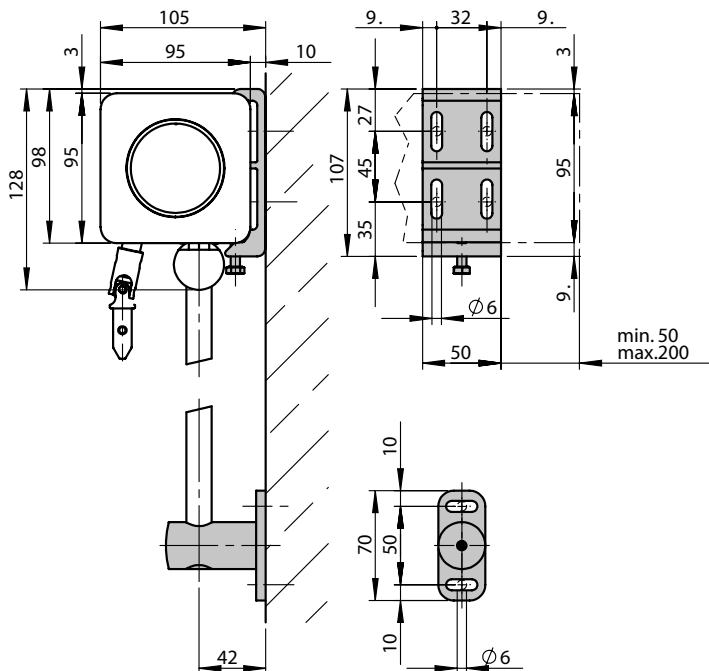
. = insert RAL colour code no.

Dimension overview and installation markilux 750

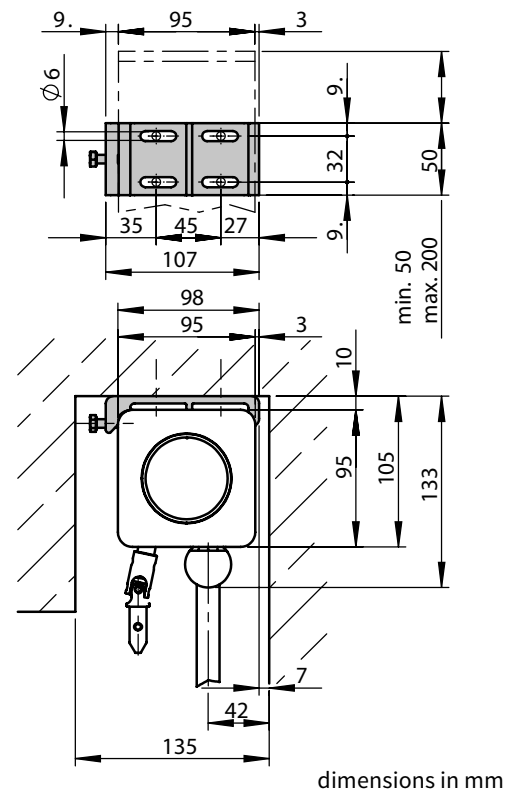
Dimension overview



Face fixture



Top and reveal fixture



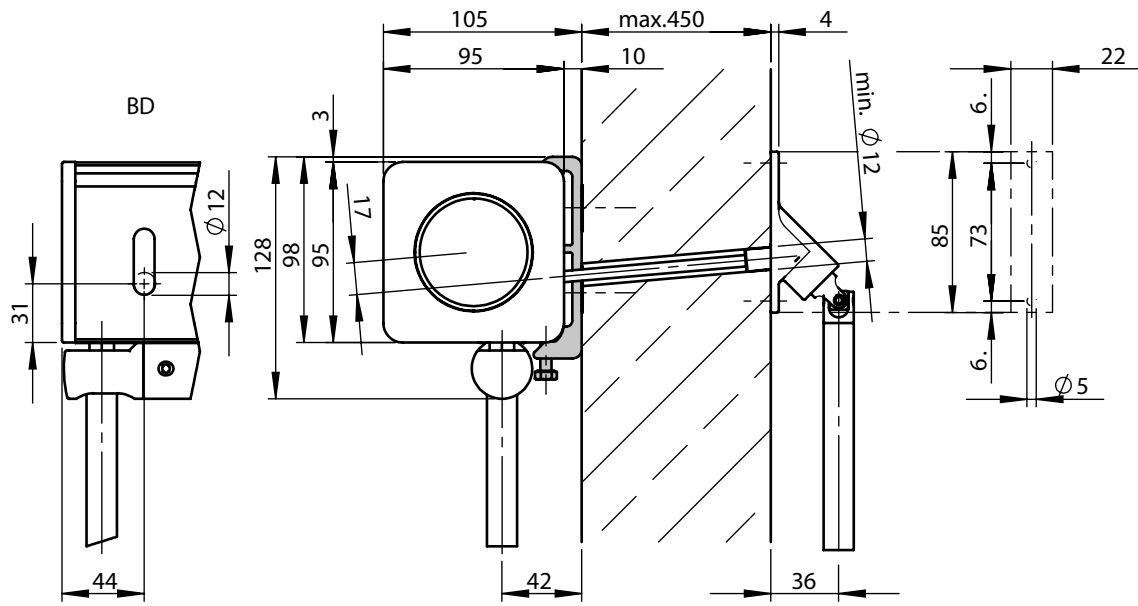
AH = unit height
 H = drop
 M = blind width
 HT = fixture bracket
 AU = exterior

IN = interior
 TB = cover width
 MF = centre of the stainless steel guide rod, fixture width
 MB = bracket fixture range

- 01
- 02
- 03
- 04
- 05
- 06
- 07
- 08
- 09
- 10
- 11
- 12
- 13
- 14
- 15
- 16
- 17
- 18
- 19
- 20
- 21

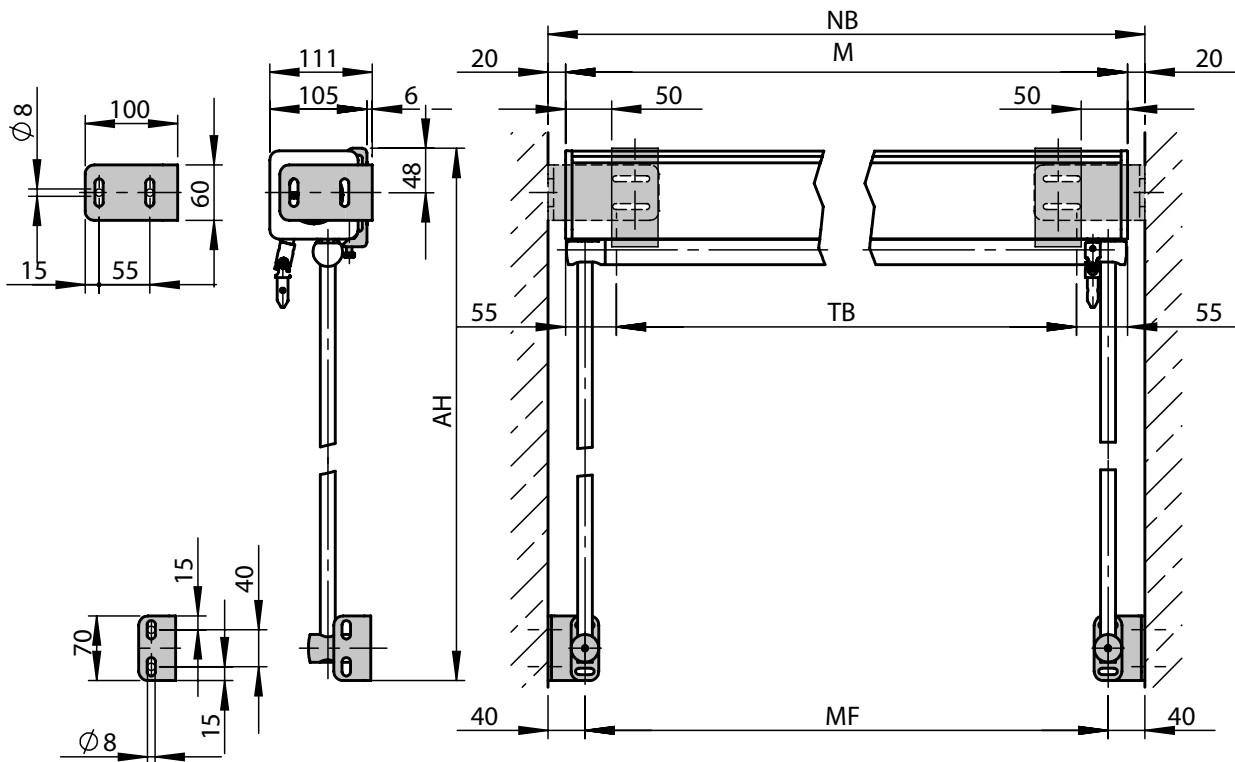
Installation markilux 750

Face fixture with interior operation



dimensions in mm

Reveal fixture in the case of gearbox / motor operation



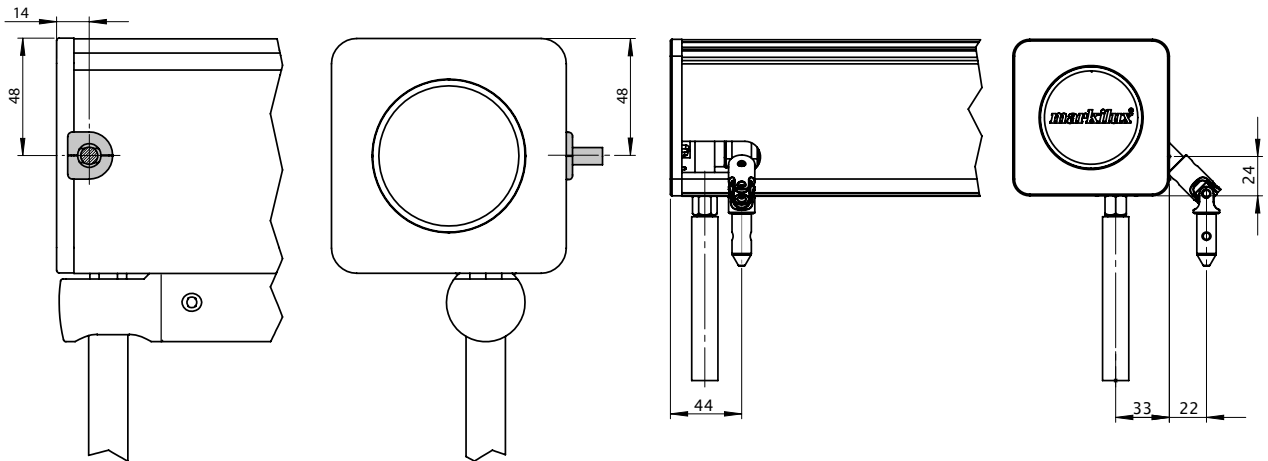
dimensions in mm

- BD = horizontal drill hole
- AH = unit height
- NB = reveal width
- M = blind width
- TB = cover width
- MF = centre of the stainless steel guide rod, fixture width
- HT = fixture bracket

Installation markilux 750

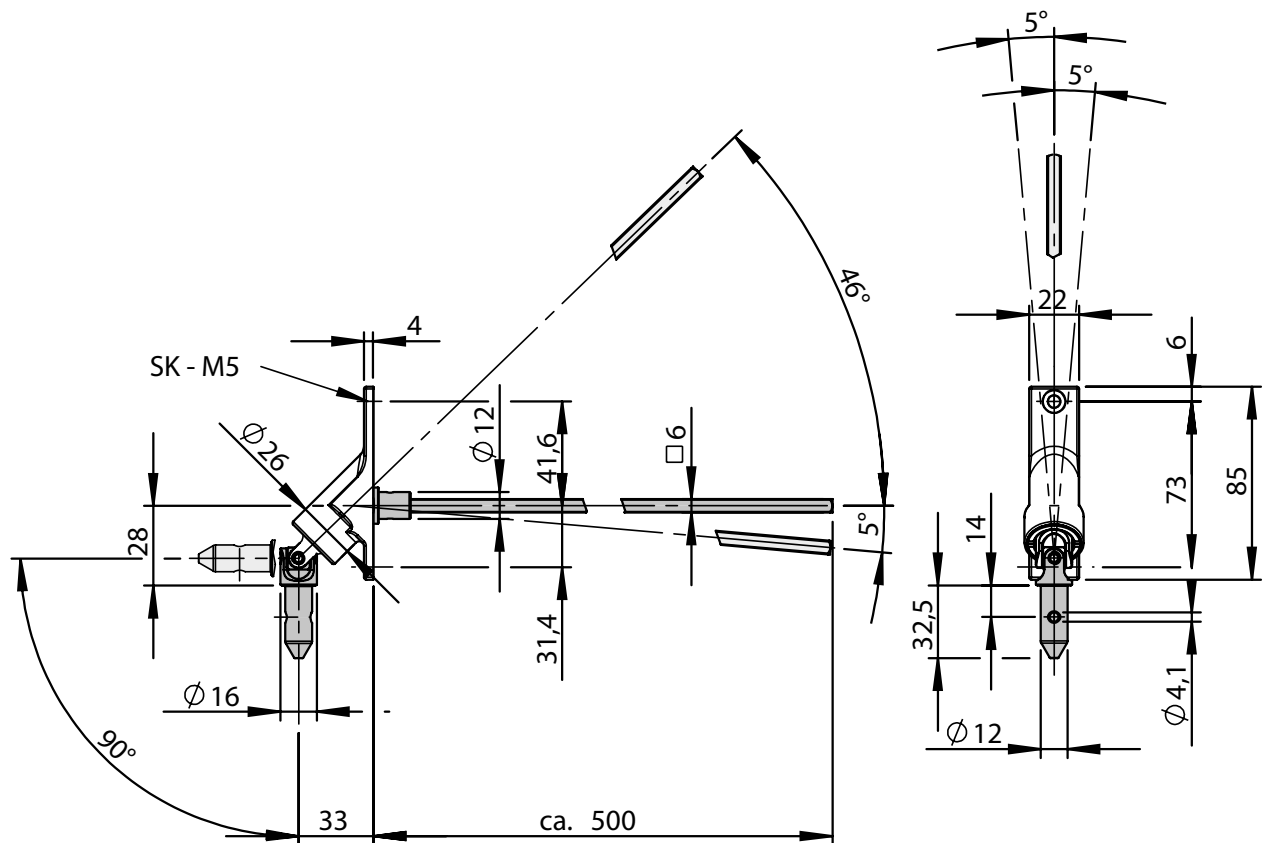
Cable exit point in the case of motor-driven units

Operation from the rear



dimensions in mm

Winding handle for interior operation $\varnothing 16$ mm up to a vertical angle of 90° and a horizontal angle of 5°



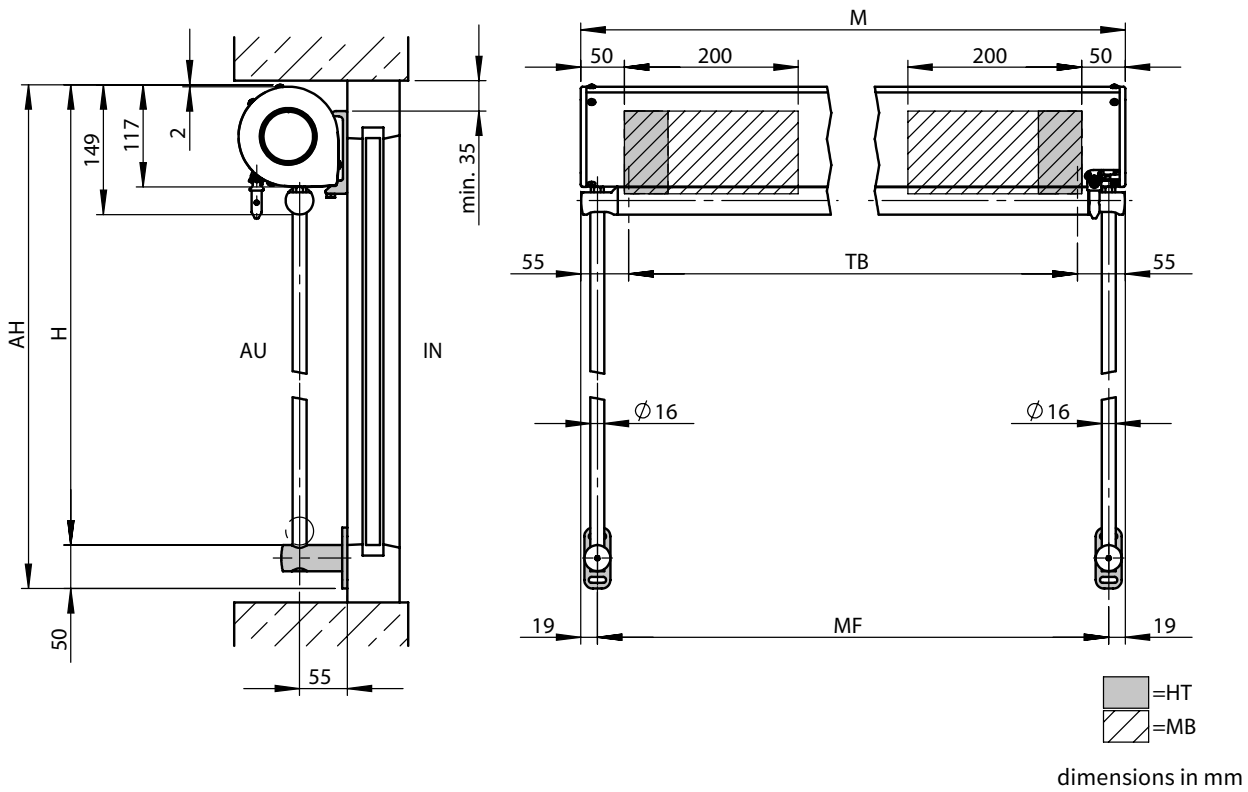
SK = chase out depth

dimensions in mm

- 01
- 02
- 03
- 04
- 05
- 06
- 07
- 08
- 09
- 10
- 11
- 12
- 13
- 14
- 15
- 16
- 17
- 18
- 19
- 20
- 21

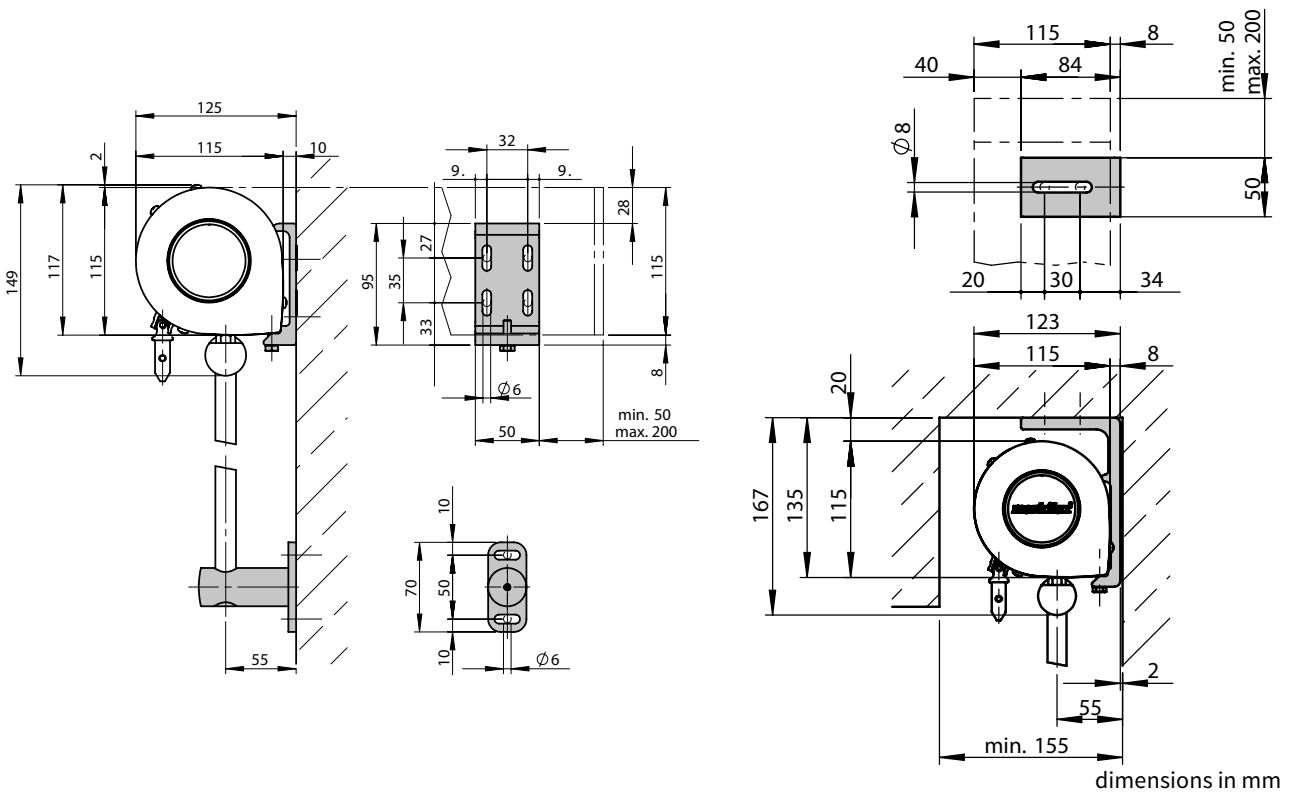
Installation markilux 850

Dimension overview



Face fixture

Top and reveal fixture



AH = unit height

H = drop

AU = exterior

IN = interior

MB = bracket fixture range

M = blind width

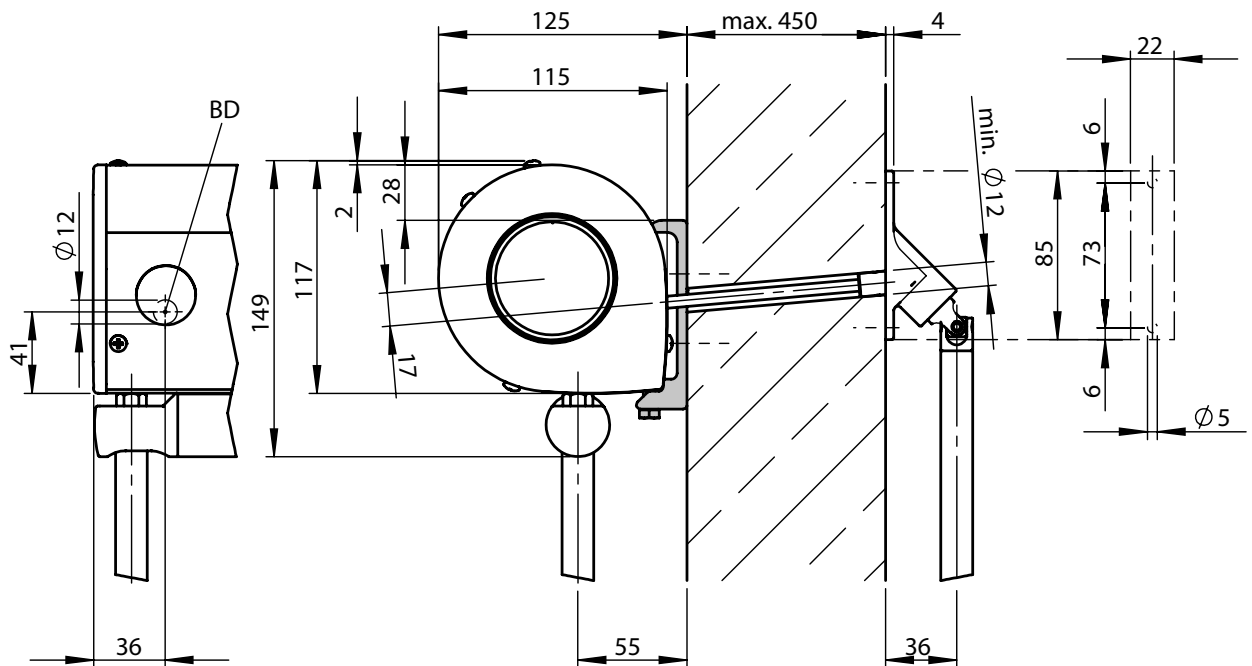
HT = fixture bracket

TB = cover width

MF = centre of the stainless steel guide rod, fixture width

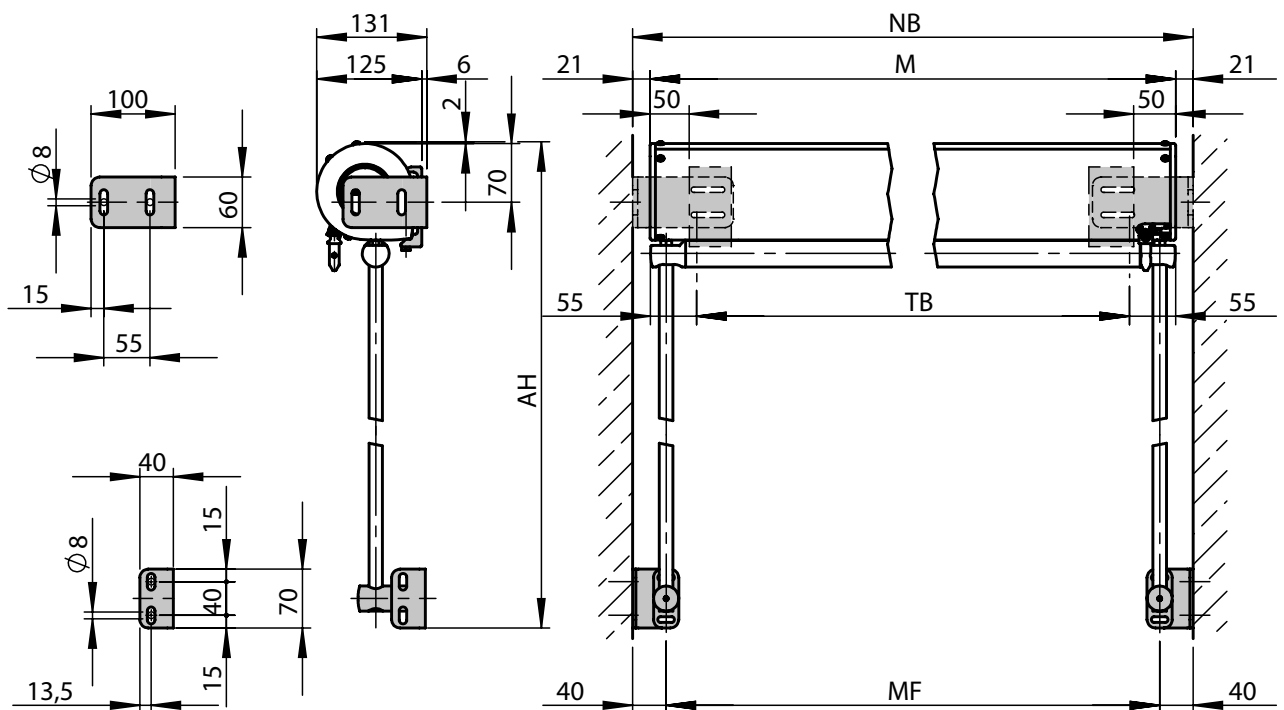
Installation markilux 850

Face fixture with interior operation



dimensions in mm

Reveal fixture in the case of gearbox / motor operation



dimensions in mm

- BD = horizontal drill hole
- AH = unit height
- NB = reveal width
- M = blind width

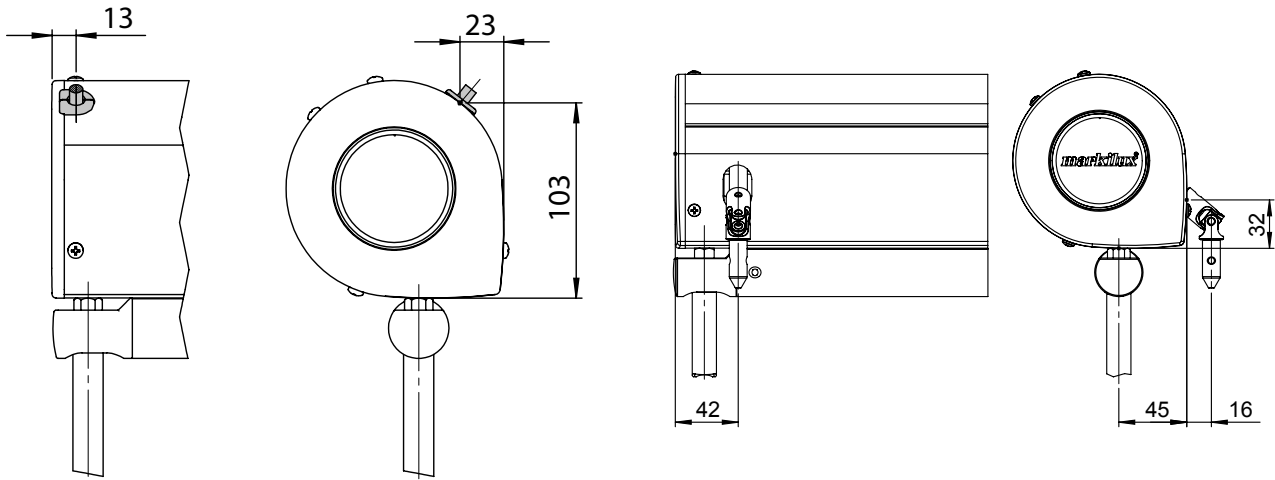
- TB = cover width
- MF = centre of the stainless steel guide rod, fixture width
- HT = fixture bracket

- 01
- 02
- 03
- 04
- 05
- 06
- 07
- 08
- 09
- 10
- 11
- 12
- 13
- 14
- 15
- 16
- 17
- 18
- 19
- 20
- 21

Installation markilux 850

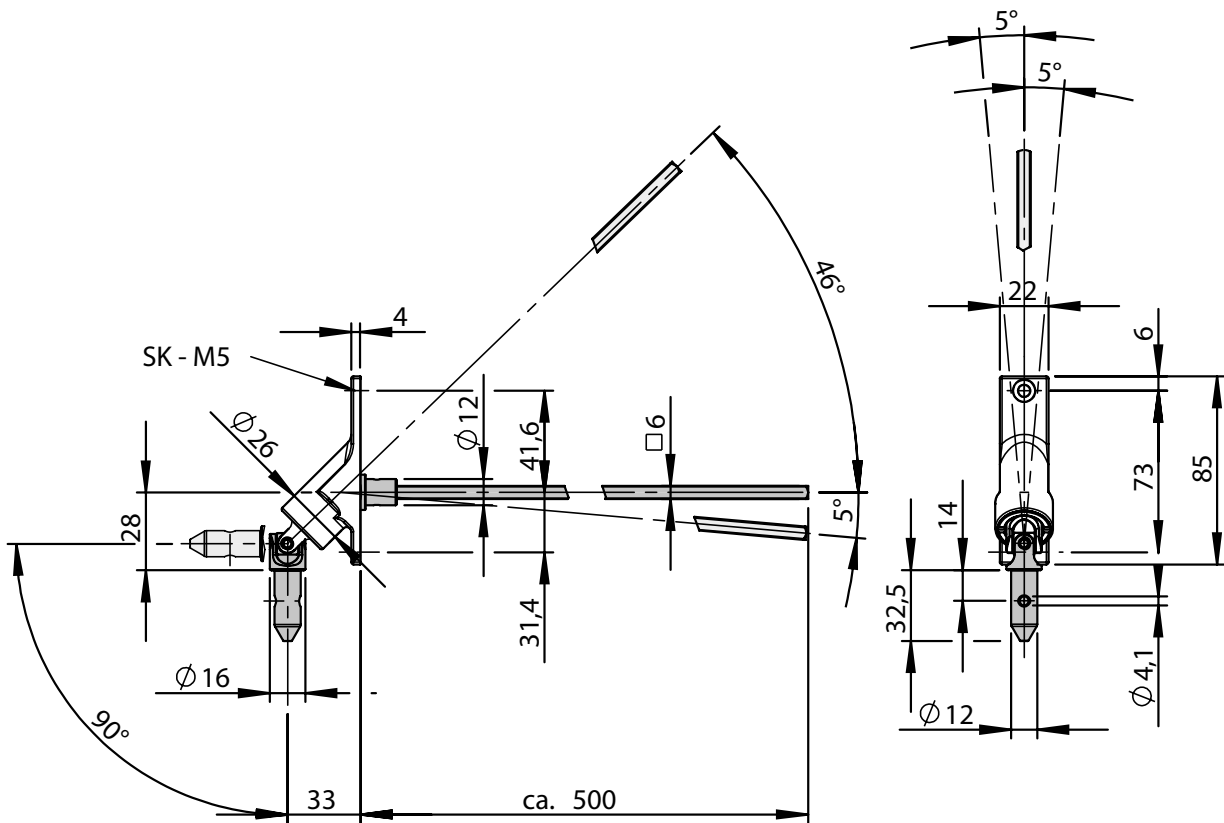
Cable exit point in the case of motor-driven units

Operation from the rear



dimensions in mm

Winding handle for interior operation $\varnothing 16$ mm up to a vertical angle of 90° and a horizontal angle of 5°



SK = chase out depth

dimensions in mm