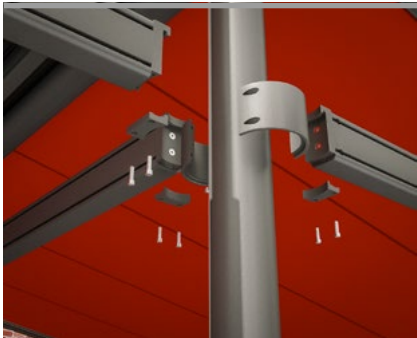


## **markilux** RS-2

**More free space, opening up boundless possibilities**

01  
02  
03  
04  
05  
06  
07  
08  
09  
10  
11



Detailed view with 3 crossbars on one post - freely positionable in height

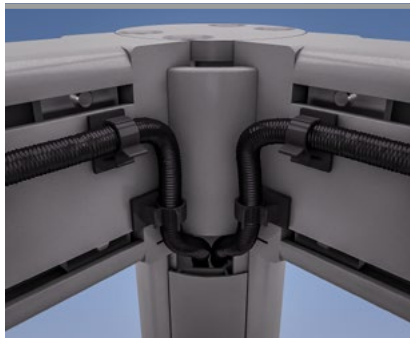


Almost limitless individual design possibilities.

markilux 8800 as roof shade and markilux 876 as vertical awning



Superb sun and weather protection with a large modular frame system - perfect for the hospitality sector or even in private gardens.



Attractive appearance, reliable technology: convenient layout of electric cables through maintenance ducts in the posts (cable brackets optional)

12

### Design Features

The frame system markilux RS-2 is a modular and flexible system which unites design and function

Limitless diversity of individual design possibilities through modular construction

Maximum flexibility through free-standing frame system

Can be combined with all suitable markilux shade systems

clean lines, elegant and modern design

Posts can be selected in round or square design

Available in seven standard frame colours at no extra charge

### Technical Specification

With a field width of up to 700 cm and a maximum post height of 450 cm, highly individual awning landscapes can be realised

The clamp rings that connect the posts and the crossbars are freely positionable in height.

Aluminium posts on concrete foundations provide stability

rated to wind resistance class 3 (corresponds to Beaufort 6)

Controlled water drainage via the awnings

Free-standing assembly; can also be fixed to a wall on one side.

### Accessories

Perfect sun and weather protection tailored to size with a multitude of awning models, covers and additional features

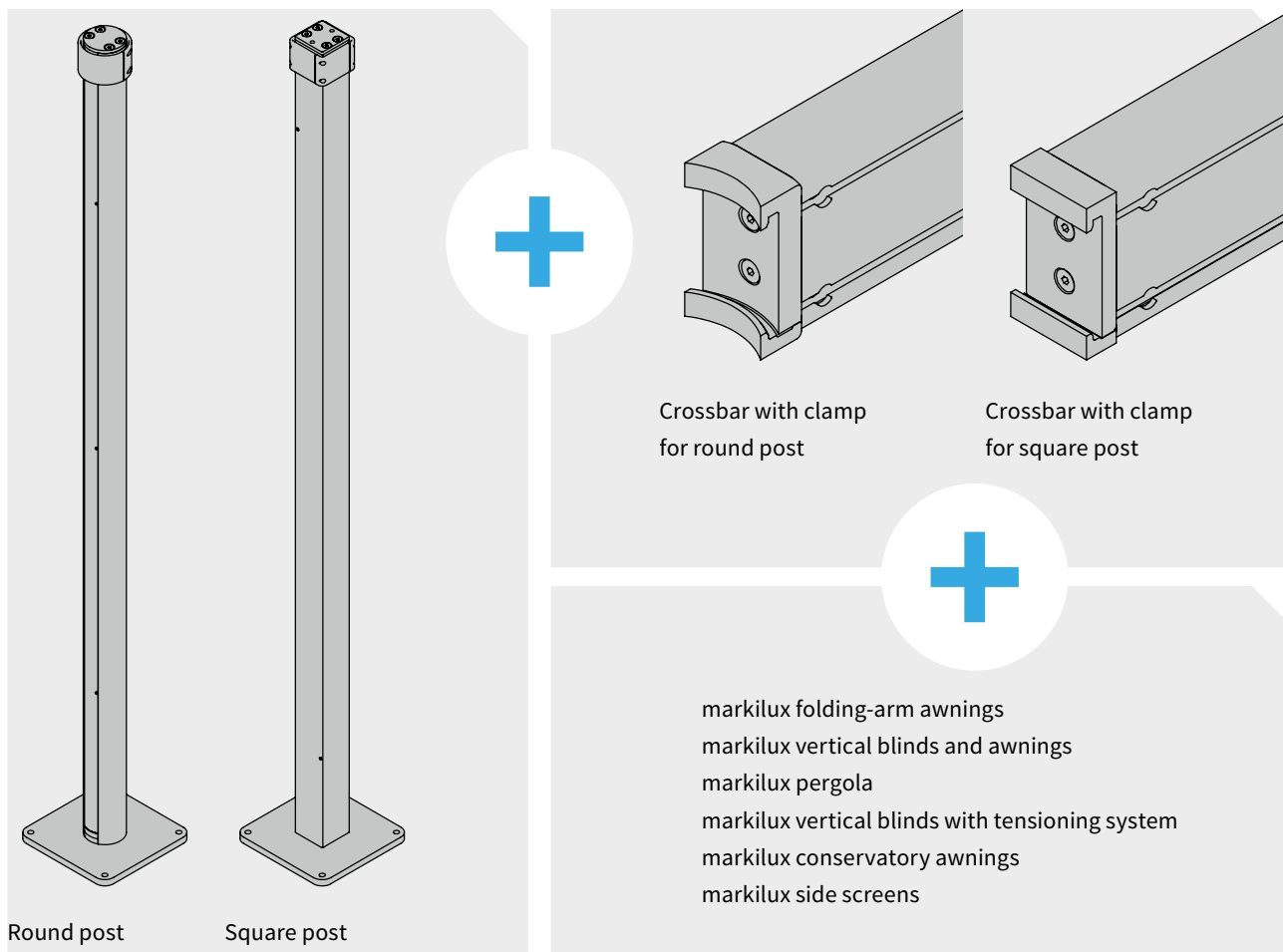
Optionally available with markilux heaters and markilux spotline

frame available in non-standard RAL colours

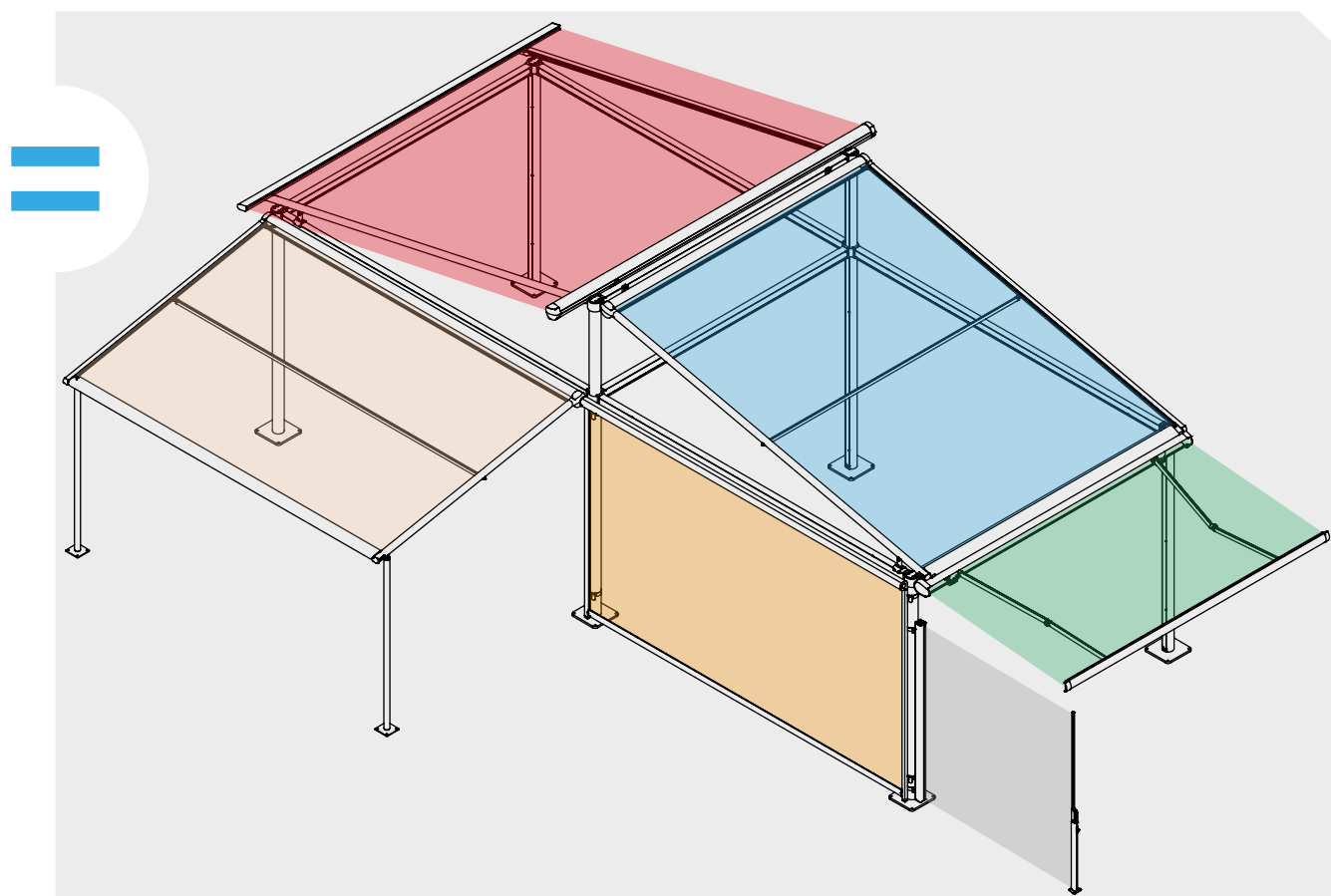
Posts available in intermediate heights

Attractively shaped foot plate covers

### System configuration











- 01
- 02
- 03
- 04
- 05
- 06
- 07
- 08
- 09
- 10
- 11
- 12**
- 13
- 14
- 15



## 01 Frame colours

## Additional information

		standard	optional
traffic white	RAL 9016		
metallic aluminium	RAL 9006		
grey brown, similar to	RAL 8019		
off-white textured finish*	5233		
stone grey metallic*	5215		
anthracite metallic*	5204		
Havana brown textured finish*	5229		
non-standard powder-coated finish			

If the awning width (M) is larger than the crossbar width (QB), a larger distance results from the rear side of the awning to the crossbar.

For assembly, additional fixtures and brackets are to be used (see "Fixtures and accessories" and the "Dimensions overview" pages)

### Planning permission

**Caution:** Please observe that shade systems may be subject to compulsory planning permission regulations depending on the region!

\* = textured finish

## 12

### markilux planning service for shading systems for large areas

In case of larger construction projects, markilux can offer comprehensive planning support on request. Based on dimension data and photographs of the area to be designed, the following services can be performed on request:

- *Photorealistic presentation of the shading system in colour, optionally also as a 3D visualisation*
- *Suggestions on special solutions*
- *Preparation of technical drawings as solution suggestions – can also be used for building permits*
- *Further consultation services up to final issue of order*

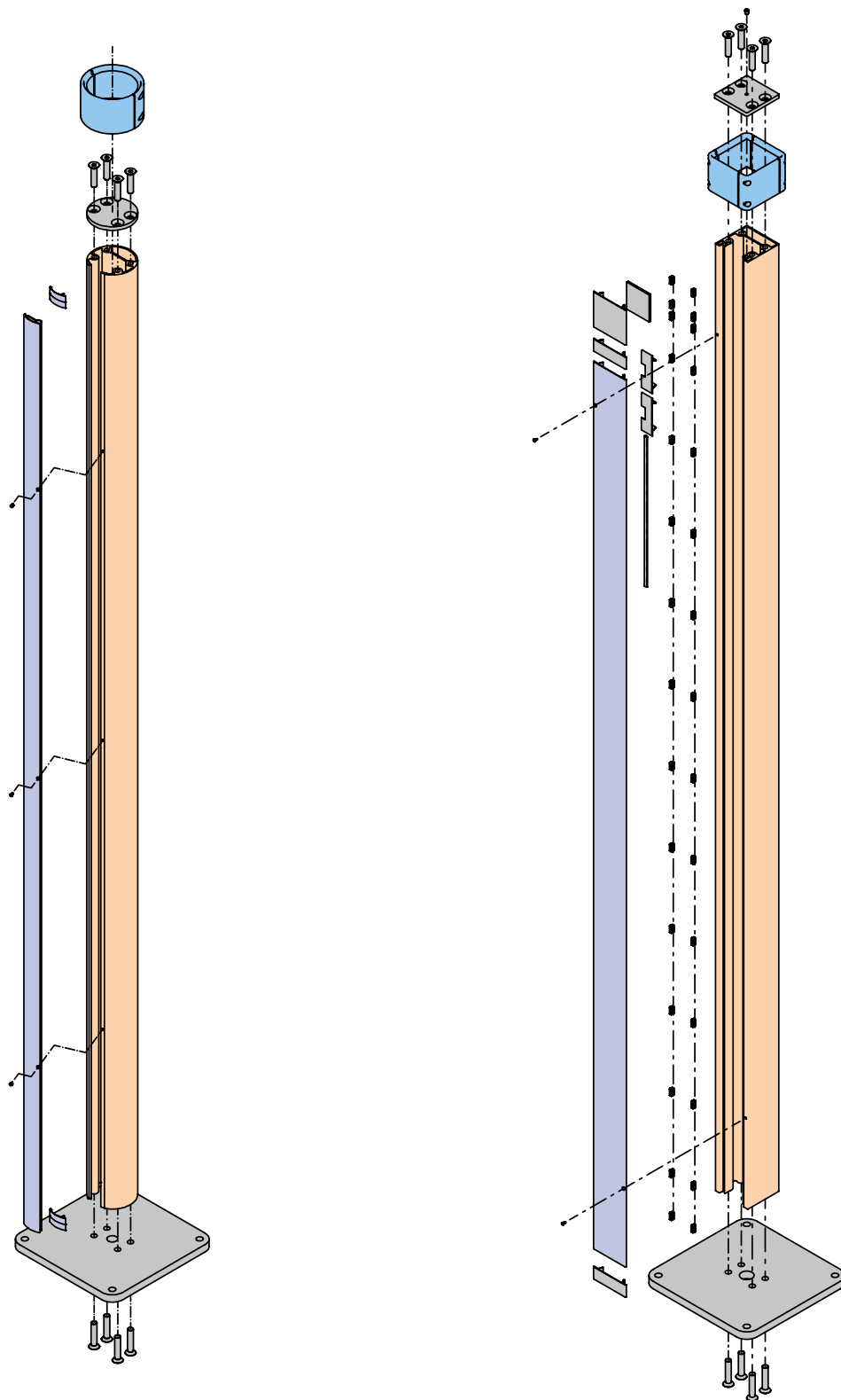
**The realistic photomontage and the detailed technical presentation increase the quality of on-site consultation and the chances of success!**

# markilux RS-2 post with base plate and clamp ring

Round post with base plate and clamp ring

square post with base plate and clamp ring

- 01
- 02
- 03
- 04
- 05
- 06
- 07
- 08
- 09
- 10
- 11
- 12**
- 13
- 14
- 15



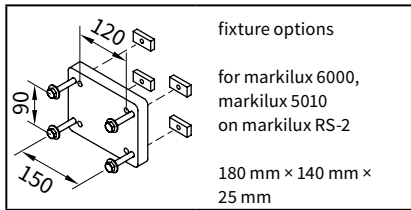
**support post height**

standard: 3180 mm

max.: 4500 mm

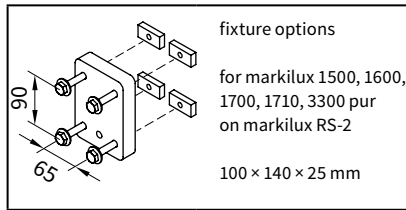
01 **Fixtures, fittings and accessories**

02 **Fixtures**



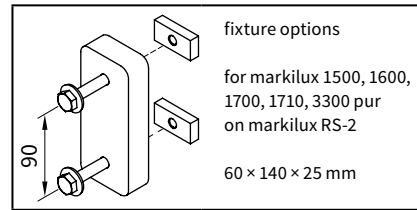
fixture options  
for markilux 6000,  
markilux 5010  
on markilux RS-2  
180 mm × 140 mm ×  
25 mm

**76913.**



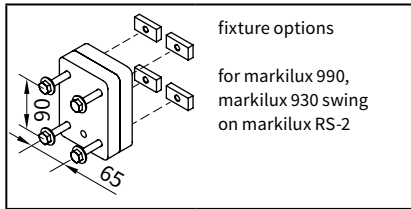
fixture options  
for markilux 1500, 1600,  
1700, 1710, 3300 pur  
on markilux RS-2  
100 × 140 × 25 mm

**76914.**



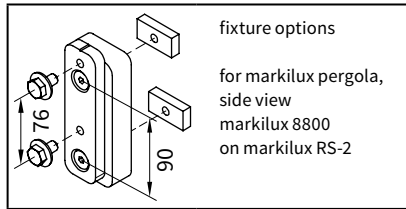
fixture options  
for markilux 1500, 1600,  
1700, 1710, 3300 pur  
on markilux RS-2  
60 × 140 × 25 mm

**76915.**



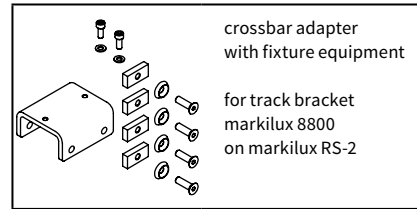
fixture options  
for markilux 990,  
markilux 930 swing  
on markilux RS-2

**76916.**



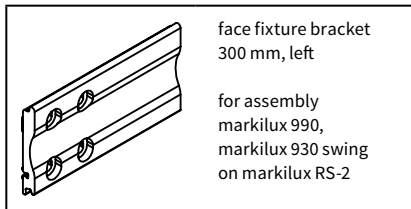
fixture options  
for markilux pergola,  
side view  
markilux 8800  
on markilux RS-2

**76917.**



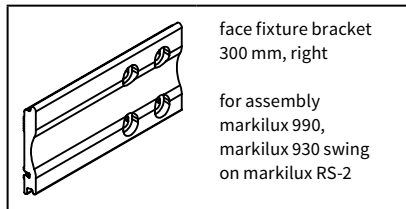
crossbar adapter  
with fixture equipment  
for track bracket  
markilux 8800  
on markilux RS-2

**73441.**



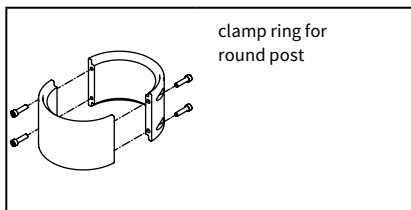
face fixture bracket  
300 mm, left  
for assembly  
markilux 990,  
markilux 930 swing  
on markilux RS-2

**70617.**



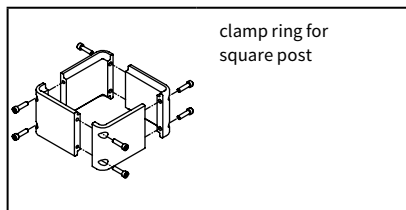
face fixture bracket  
300 mm, right  
for assembly  
markilux 990,  
markilux 930 swing  
on markilux RS-2

**70600.**



clamp ring for  
round post

**76820.**



clamp ring for  
square post

**72301.**

12

13

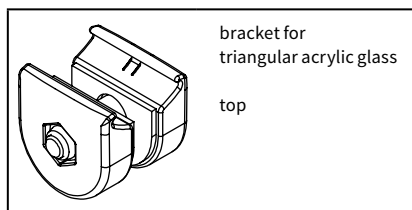
14

15

. = insert RAL colour code no

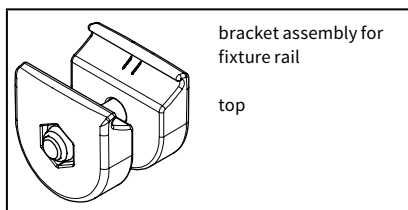
01  
02  
03  
04  
05  
06  
07  
08  
09  
10  
11  
**12**  
13  
14  
15

**Fixtures**



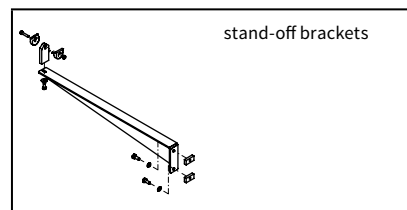
bracket for  
triangular acrylic glass  
top

**79571.**



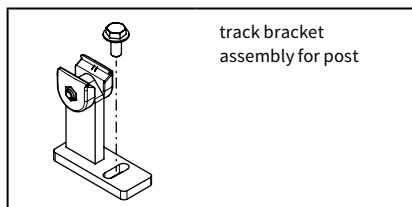
bracket assembly for  
fixture rail  
top

**72910.**



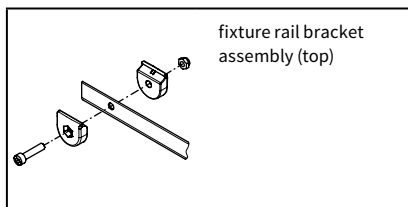
stand-off brackets

**73996.**



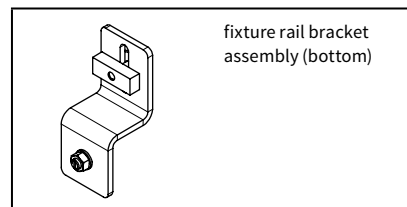
track bracket  
assembly for post

**73446.**



fixture rail bracket  
assembly (top)

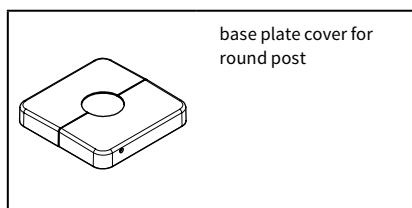
**72911.**



fixture rail bracket  
assembly (bottom)

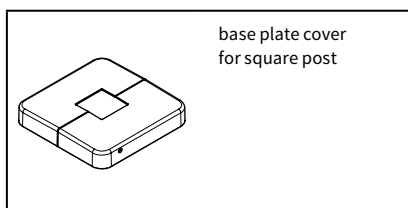
**72914.**

**Accessories**



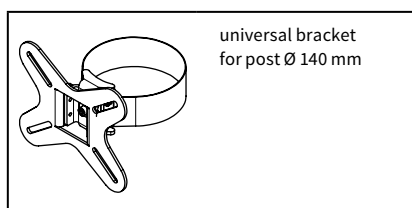
base plate cover for  
round post

**72263.**



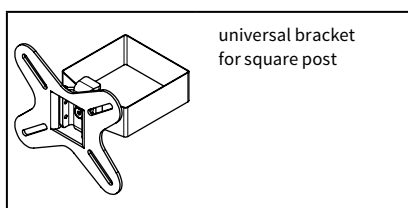
base plate cover  
for square post

**72261.**



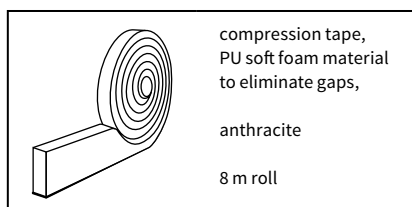
universal bracket  
for post Ø 140 mm

**79559.**



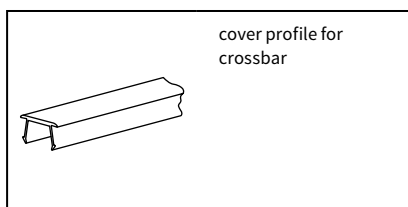
universal bracket  
for square post

**72238.**



compression tape,  
PU soft foam material  
to eliminate gaps,  
anthracite  
8 m roll

**795721**



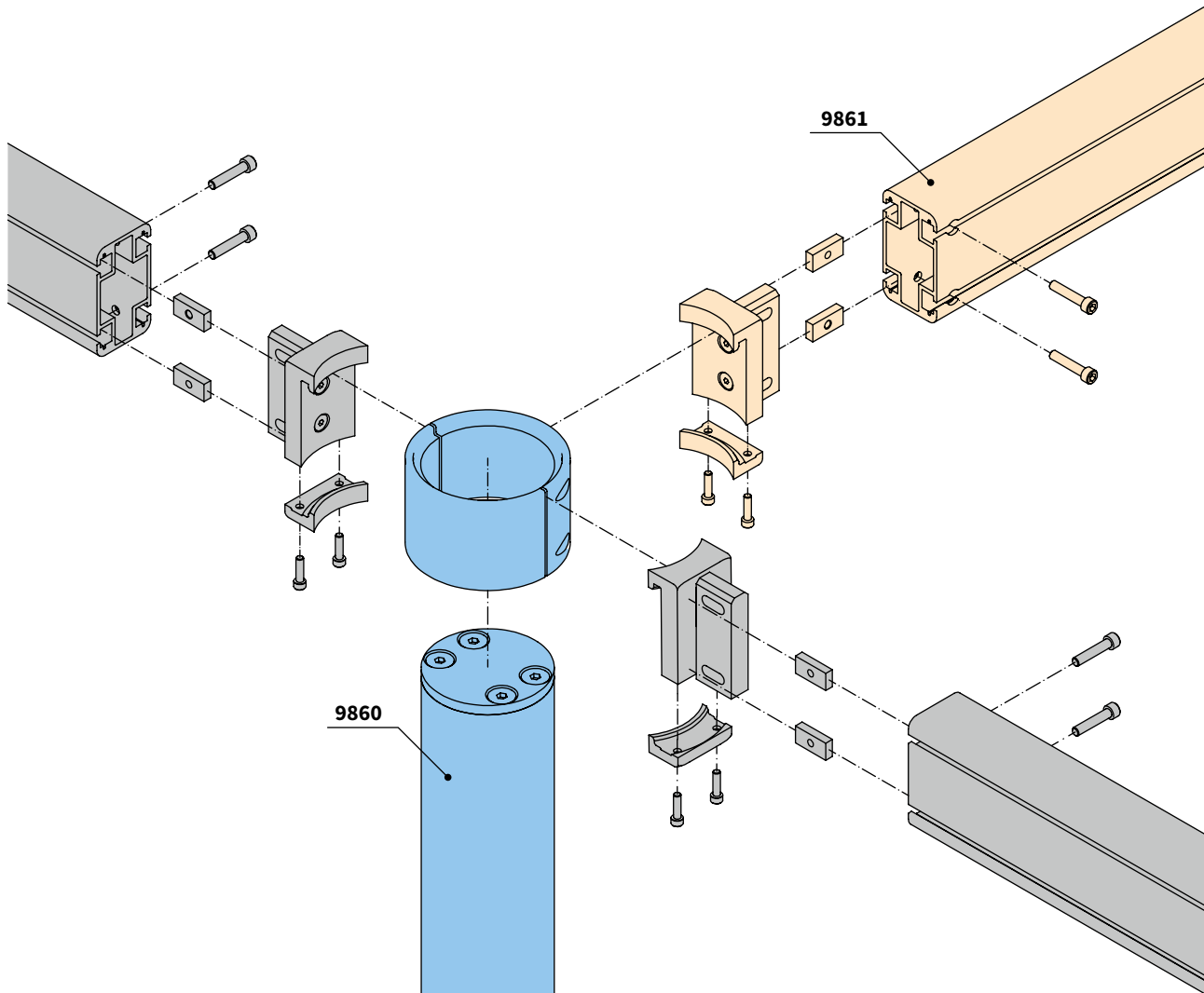
cover profile for  
crossbar

**77768.**

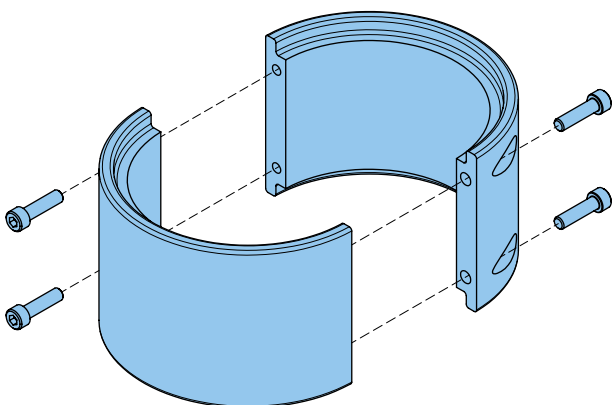
. = insert RAL colour code no

01 **Clamp ring with three crossbars on a round post**

02  
03  
04  
05  
06  
07  
08  
09  
10  
11  
**12**  
13  
14  
15



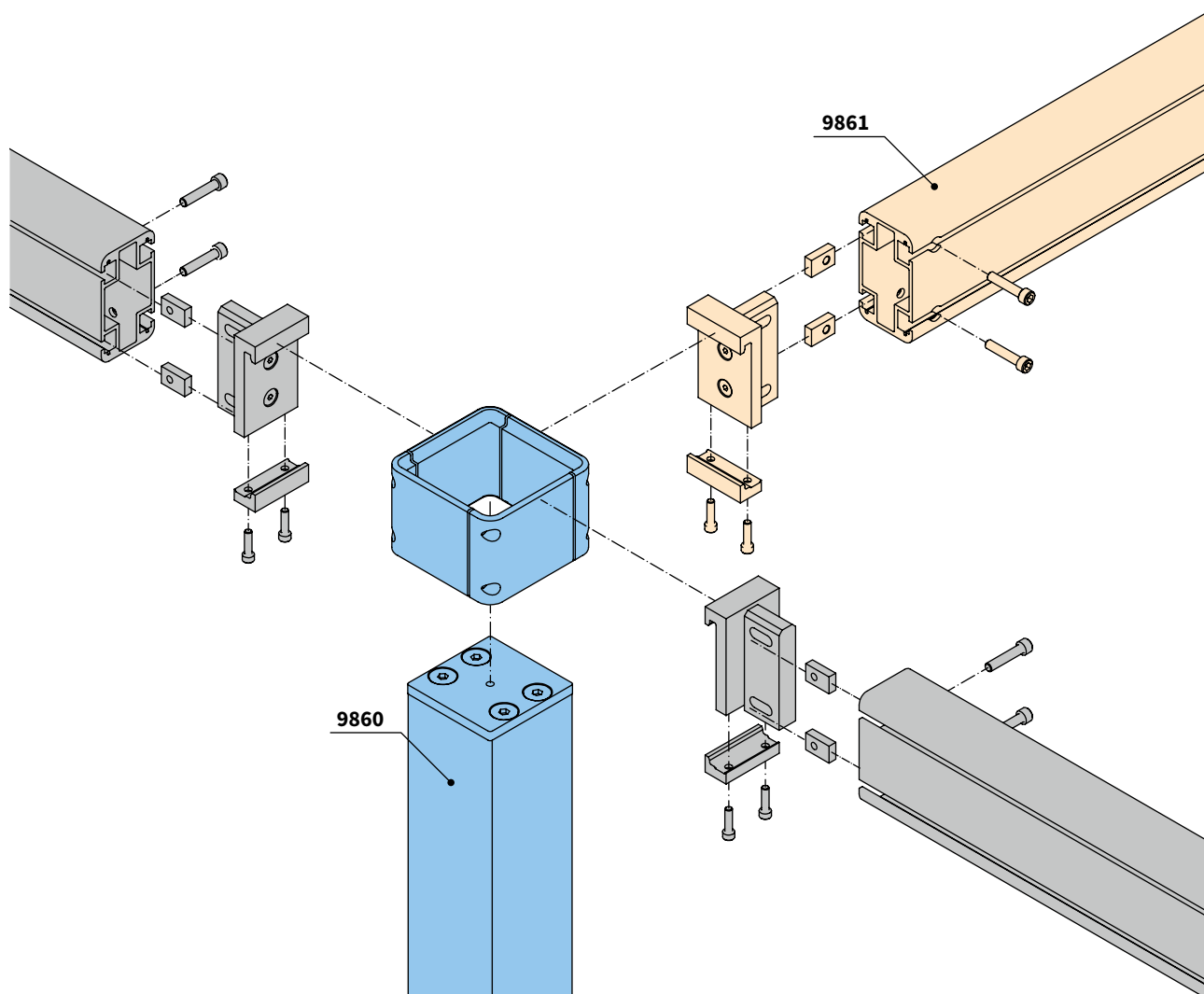
**76820. Clamp ring for round post**



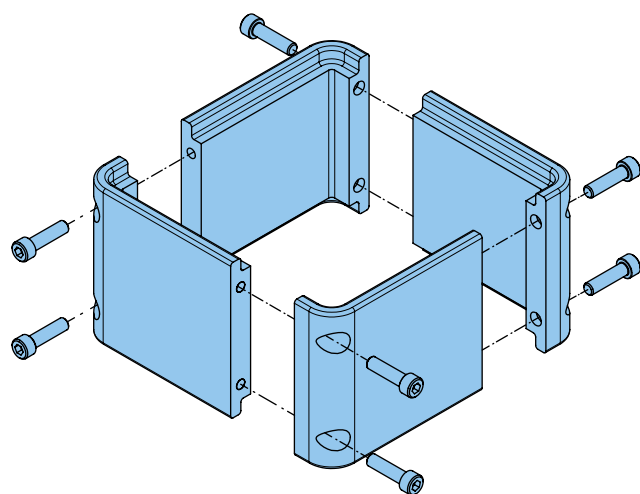
- 9860 = post incl. base plate and clamp ring
- 9861 = crossbar including clamp ring
- 76820. = clamp ring for round post



### Clamp ring with three crossbars on a square post



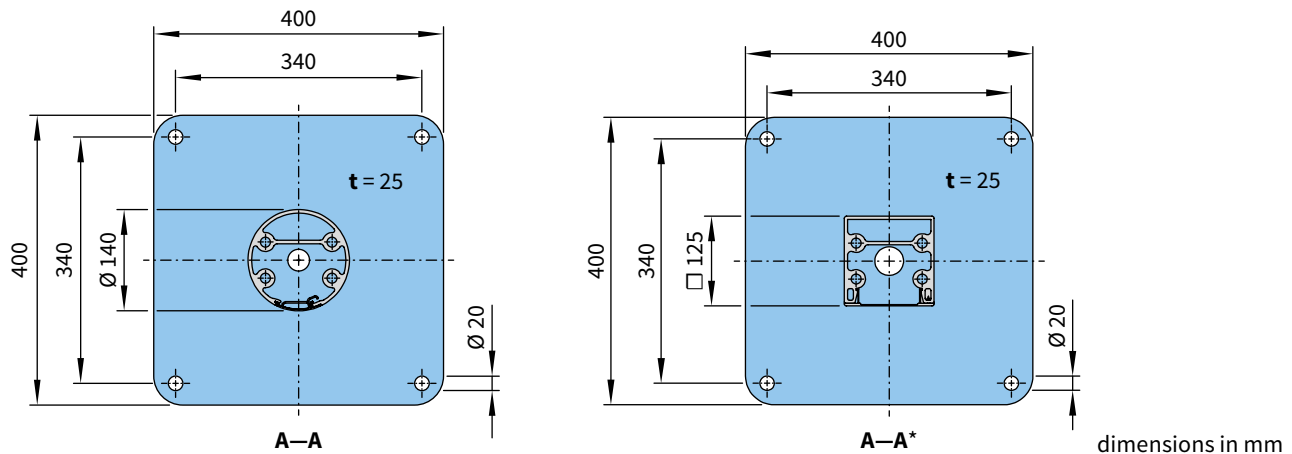
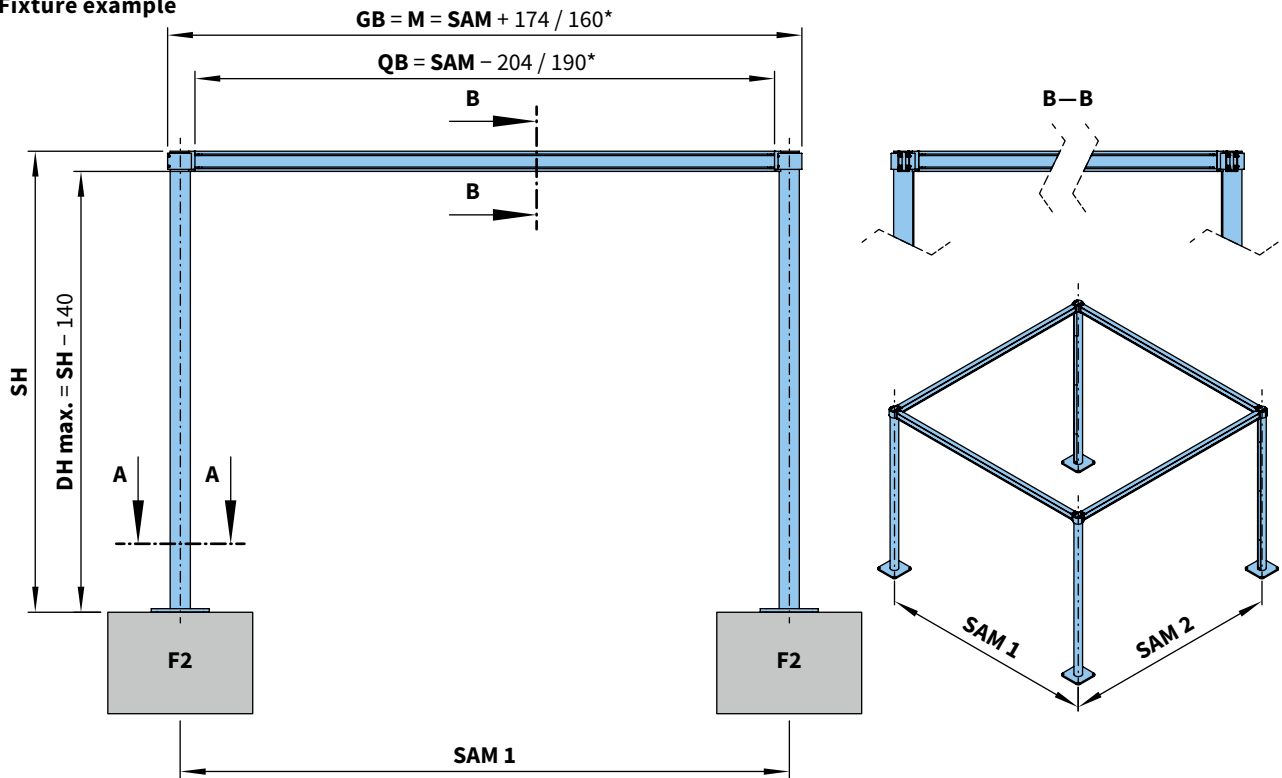
### 72301. Clamp ring for square post



- 9860 = post incl. base plate and clamp ring
- 9861 = crossbar including clamp ring
- 72301. = clamp ring for square post

# Dimension overview markilux RS-2, 1 field, free-standing

Fixture example



**On site the following have to be prepared as per drawing below every post:**

- Concrete foundations (F2) with compressive strength C25/30 (previously B25) with rebar matting basket made of rebar matting Q188
- Base plates to be fixed on concrete foundations (F2) using Fischer A4 stainless steel anchor bolts FAZ II 16/50 and a washer certified to DIN 9021 (or equivalent)
- Observe mounting instructions by the respective manufacturer!

\* = information on square posts

A-A = in cross section

B-B = in cross section

BG = armoured cage made from rebar matting Q188

DH = headroom

F2 = concrete foundations Type 2

GB = total width =  $M = SAM + 174 / 160^*$  mm

M = overall awning width

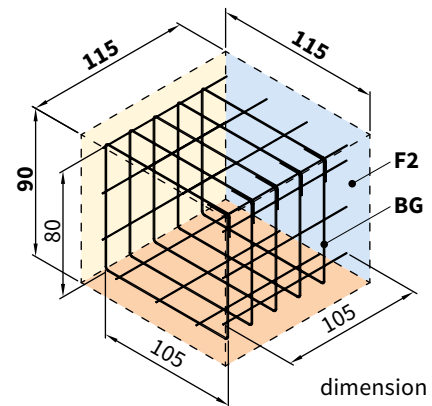
QB = length of cross beam in cm

(max. length = 7000 mm) =  $SAM - 204 / 190^*$  mm

SAM = order dimensions = Central post distance dimensions

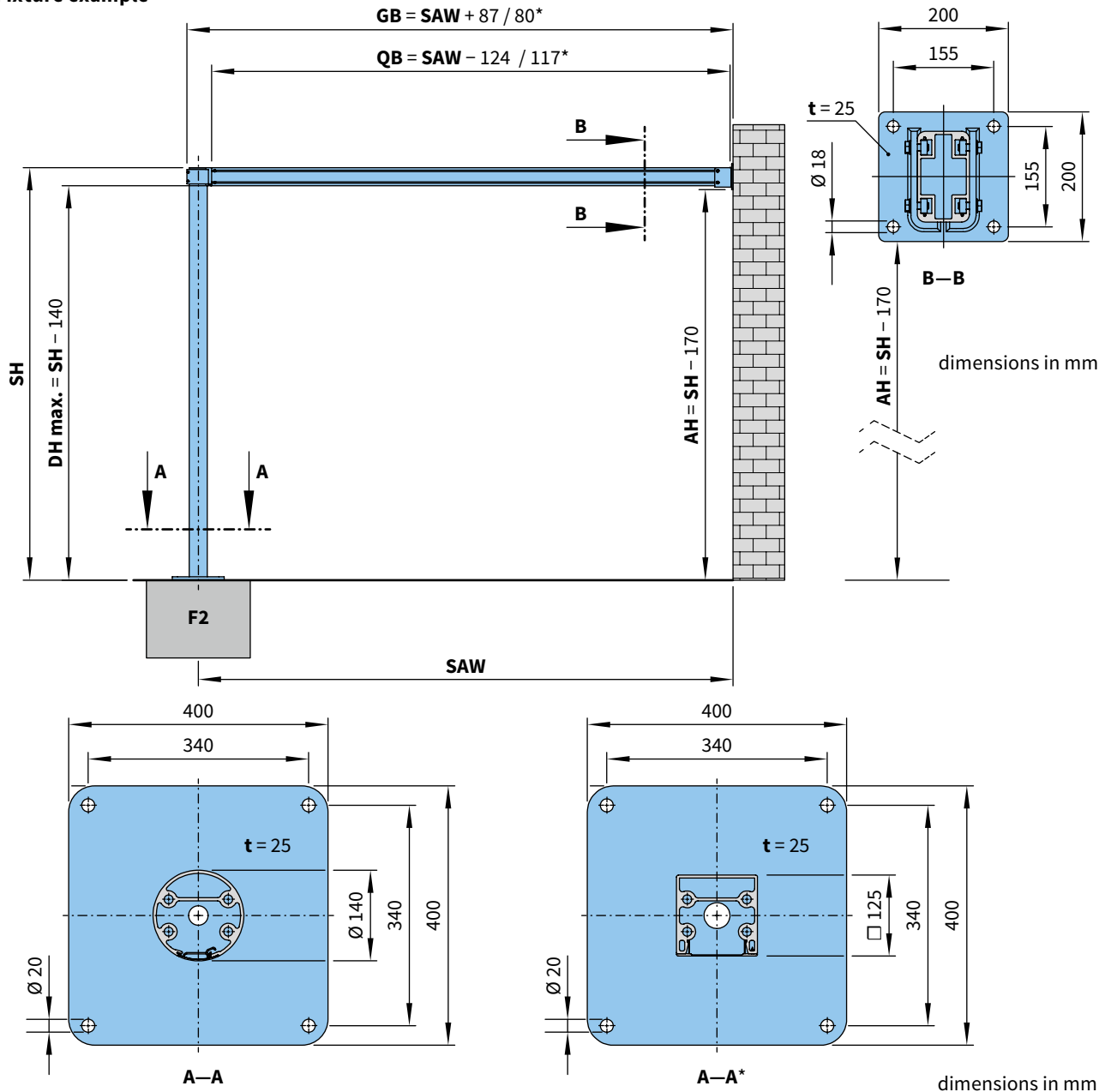
SH = post height (standard 3180 mm / max. 4500 mm)

t = material thickness



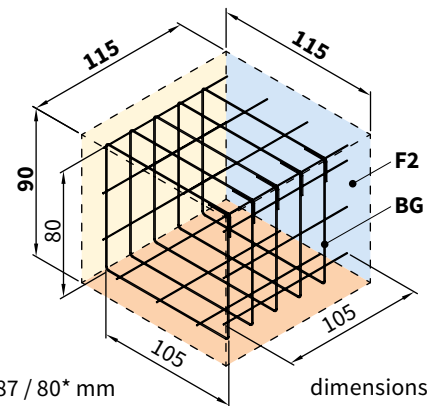
# Dimension overview markilux RS-2, wall connection

Fixture example



**On site the following have to be prepared as per drawing below every post:**

- Concrete foundations (F2) with compressive strength C25/30 (previously B25) with rebar matting basket made of rebar matting Q188
- Base plates to be fixed on concrete foundations (F2) using Fischer A4 stainless steel anchor bolts FAZ II 16/50 and a washer certified to DIN 9021 (or equivalent)
- Observe mounting instructions by the respective manufacturer!



\* = information on square posts

A-A in cross section

B-B in cross section

AH = fixture height = SH - 170 mm

BG = armoured cage made from rebar matting Q188

DH = headroom

F2 = concrete foundations Type 2

GB = total width = SAW + 87 / 80\* mm

QB = length of cross beam (max. length = 7000 mm) = SAW - 124 / 117\* mm

SAW = order dimension = Distance Post centre ↔ Mounting surface

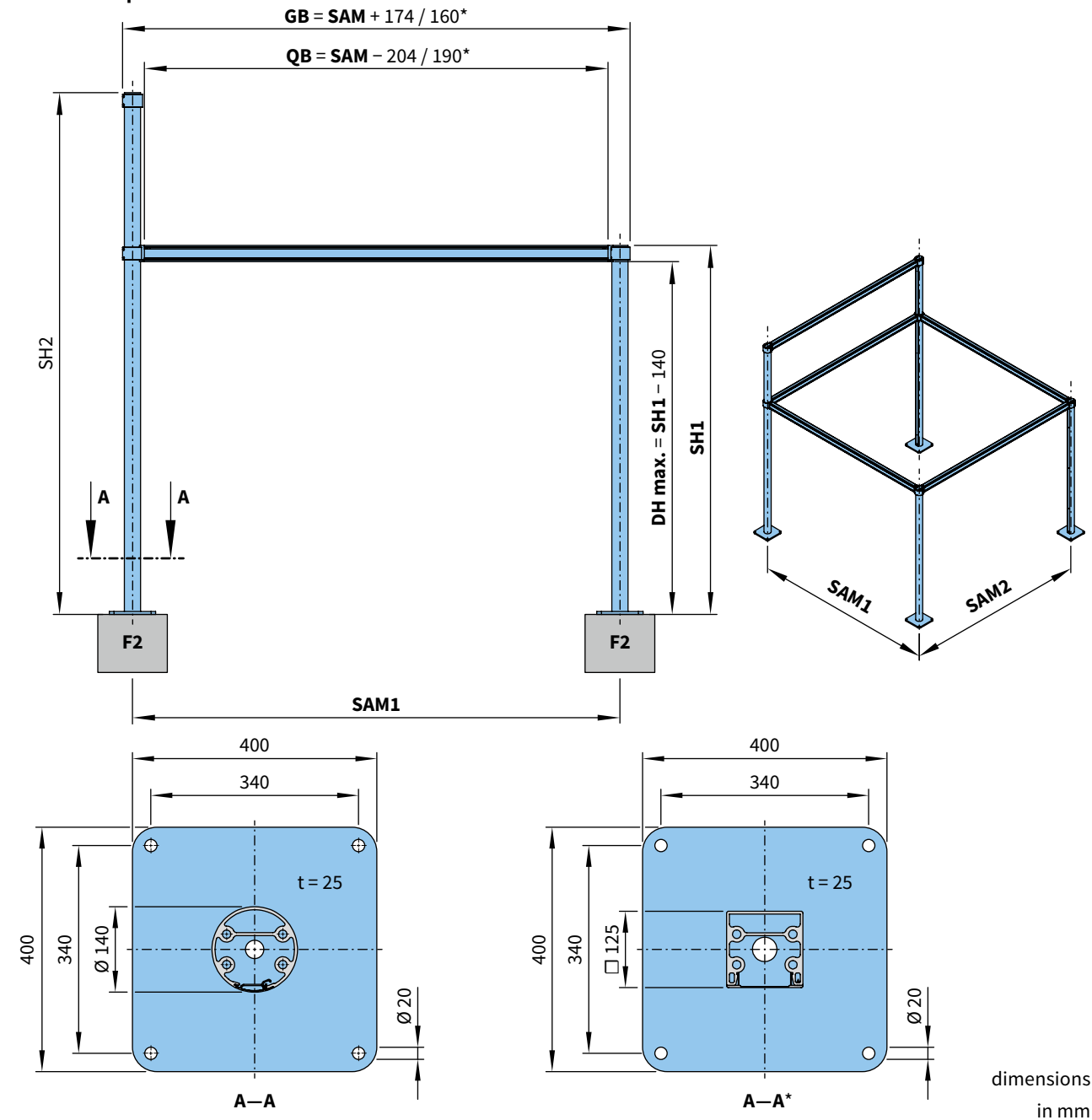
SH = post height (standard 3180 mm / max. 4500 mm)

t = material thickness

01  
02  
03  
04  
05  
06  
07  
08  
09  
10  
11  
12  
13  
14  
15

# Dimension overview markilux RS-2, different post heights

Fixture example



**On site the following have to be prepared as per drawing below every post:**

- Concrete foundations (F2) with compressive strength C25/30 (previously B25) with rebar matting basket made of rebar matting Q188
- Base plates to be fixed on concrete foundations (F2) using Fischer A4 stainless steel anchor bolts FAZ II 16/50 and a washer certified to DIN 9021 (or equivalent)
- Observe mounting instructions by the respective manufacturer!

\* = information on square posts

A-A = in cross section

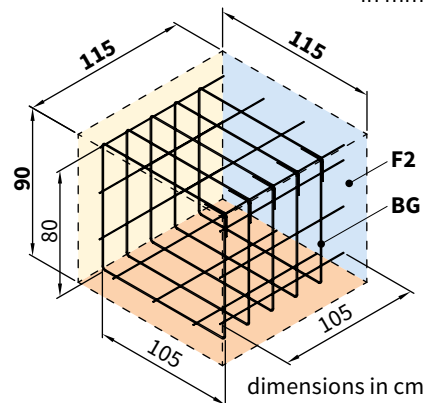
BG = armoured cage made from rebar matting Q188

DH = headroom

F2 = concrete foundations Type 2

GB = total width = SAM + 174 / 160\* mm

QB = crossbar width (max. length = 7000 mm) = SAM - 204 / 190\*mm



SAM = order dimensions =

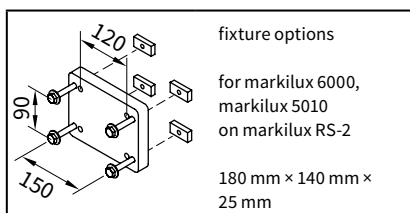
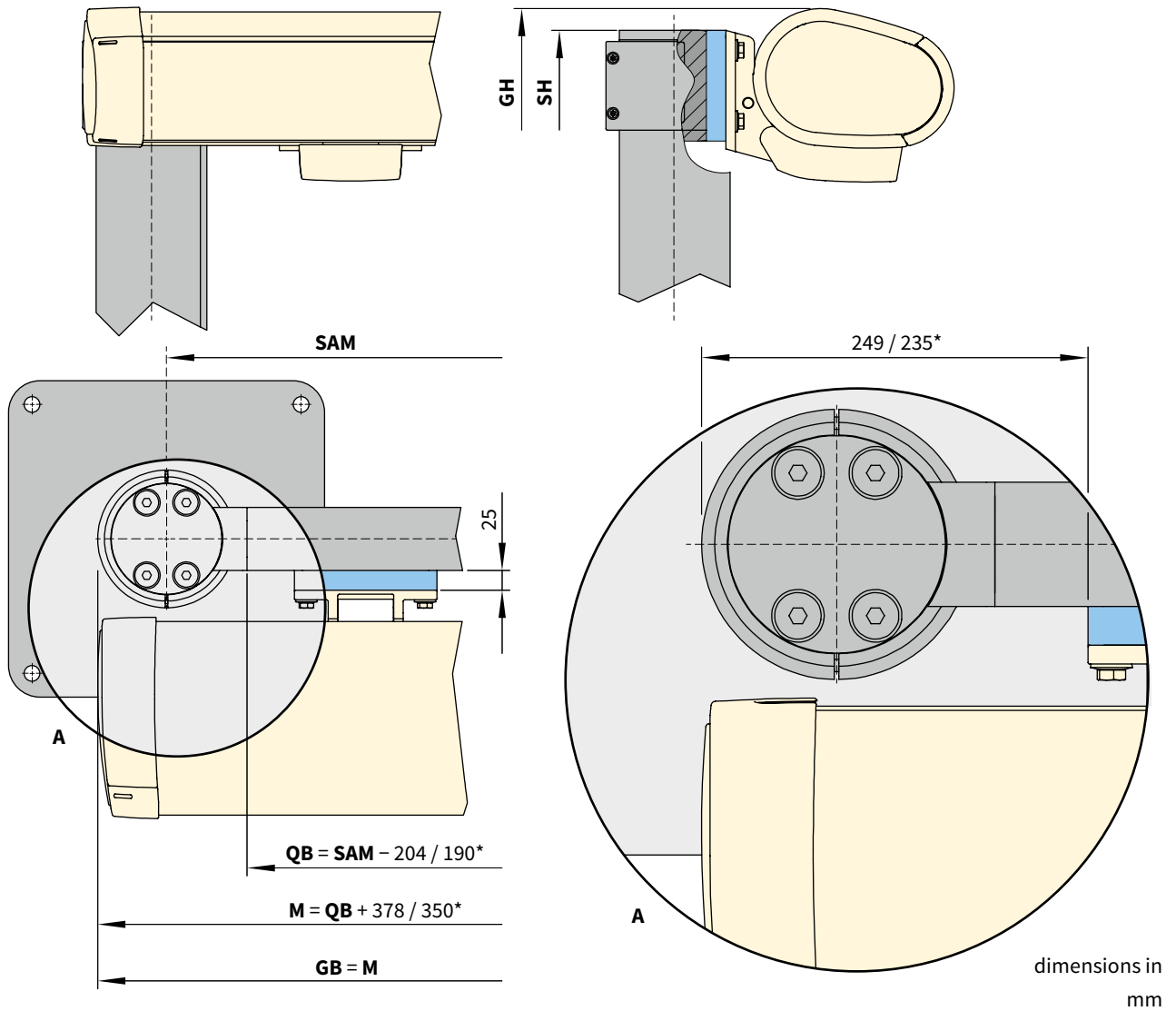
central post distance dimensions

SH = post height (standard 3180 / max. 4500 mm)

t = material thickness

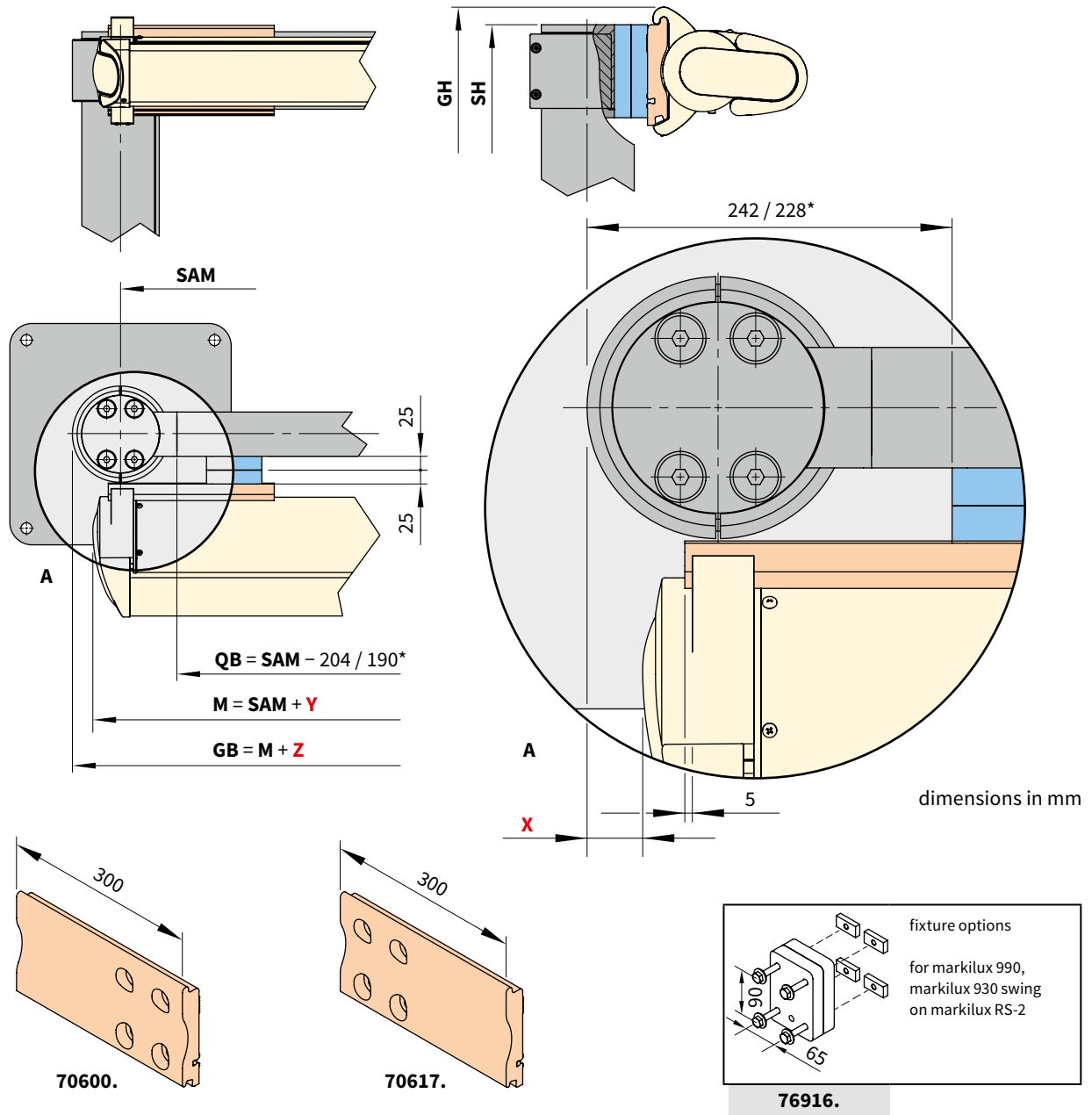
Dimension overview: Fixture of markilux 6000 / 5010 onto markilux RS-2

01  
02  
03  
04  
05  
06  
07  
08  
09  
10  
11  
12  
13  
14  
15



- \* = information on square posts
- A = detailed view
- GB = total width = M
- BH = total height: markilux 5010 = SH / markilux 6000 = SH + 25 mm (each with awning tilt = 15°)
- M = awning width = QB + 378 / 350\*
- QB = crossbar width (max. length = 7000 mm) = SAM - 204 / 190\* mm
- SAM = order dimensions = Central post distance dimensions
- SH = post height (standard: 3180 mm / max.: 4500 mm)
- 76913. = fixture options for markilux 6000, markilux 5010 to markilux RS-2

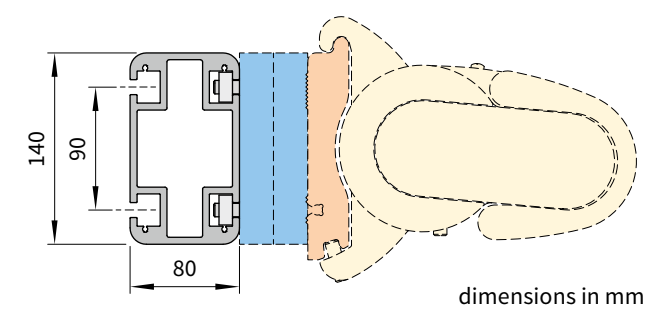
01 **Dimension overview: Fixture of markilux 930 swing / 990 onto markilux RS-2**



12

- \* = information on square posts
- 70600.** = face fixture bracket right 300 mm
- 70617.** = face fixture bracket left 300 mm
- 76816.** = fixture options for markilux 990, markilux 930 swing to markilux RS-2
- A** = detailed view
- GB** = total width =  $M + Z$
- BH** = total height =  $SH + 27$
- M** = awning width =  $QB + 378 / 350^*$
- QB** = length of cross beam  
(max. length = 7000 mm) =  $SAM - 204 / 190^*$  mm
- SAM** = order dimensions = Central post distance dimensions
- SH** = post height (standard 3180 mm / max. 4500 mm)

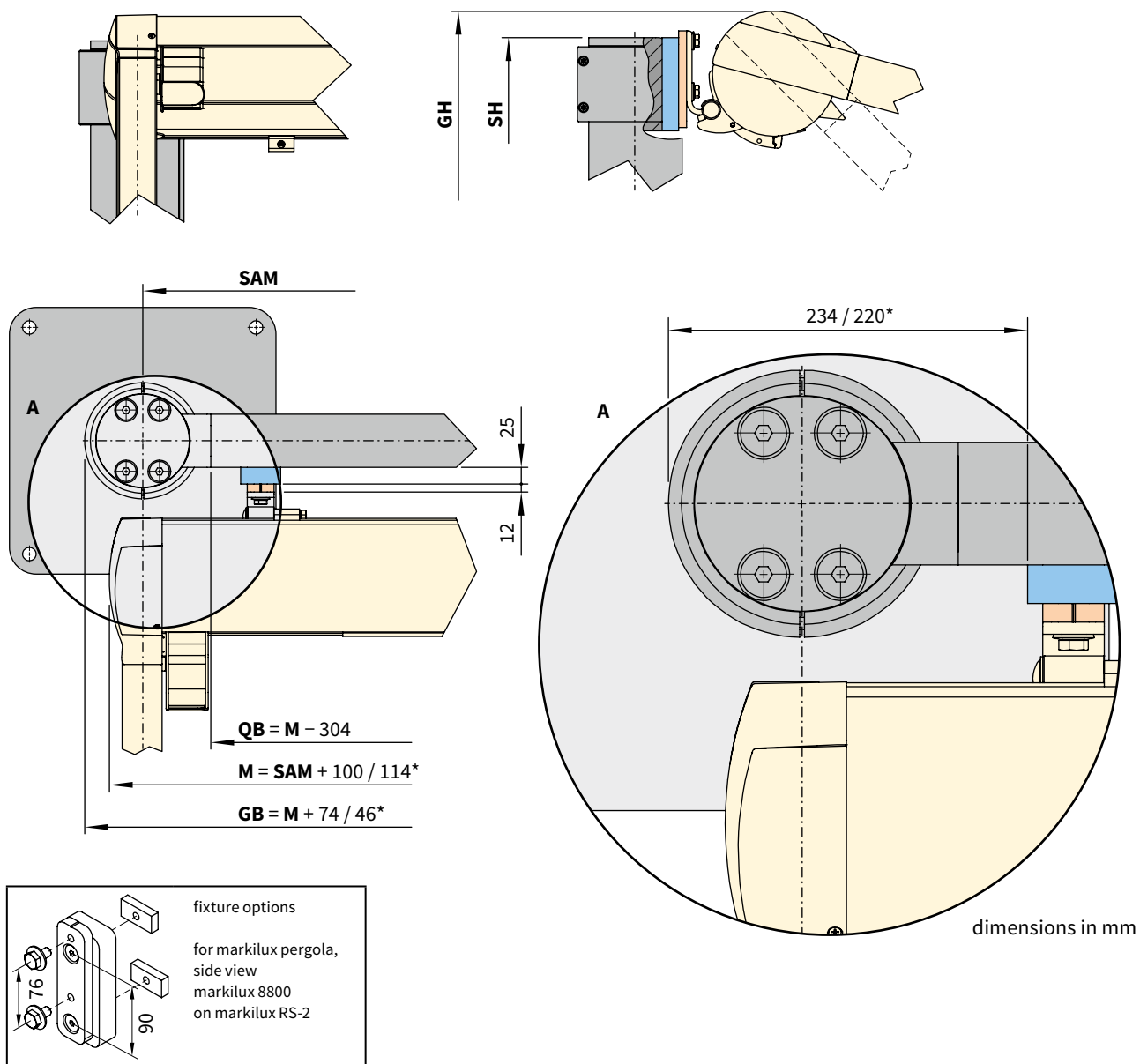
**Dimension overview crossbar**



Awning	X	Y	Z
markilux 930 swing	47.5 / 33.5*	79 / 67*	95 / 67*
markilux 990	37 / 23*	100 / 114*	74 / 46*

Dimension overview: Fixture of markilux pergola / markilux 8800 onto markilux RS-2

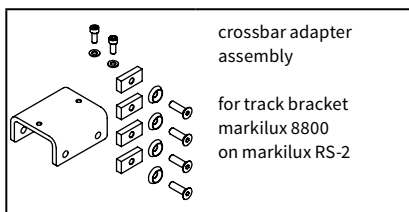
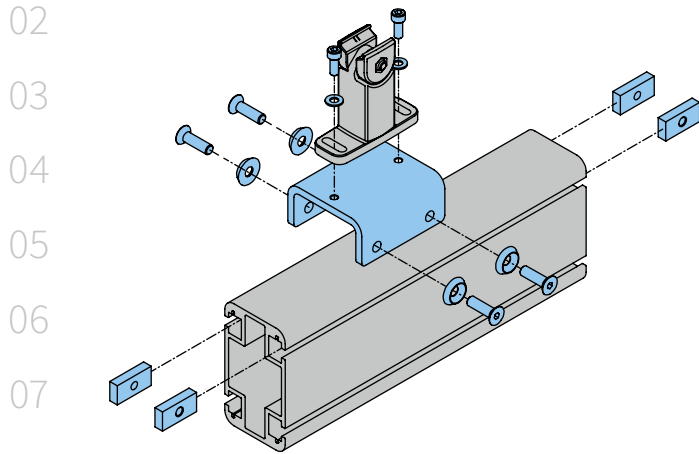
01  
02  
03  
04  
05  
06  
07  
08  
09  
10  
11  
12  
13  
14  
15



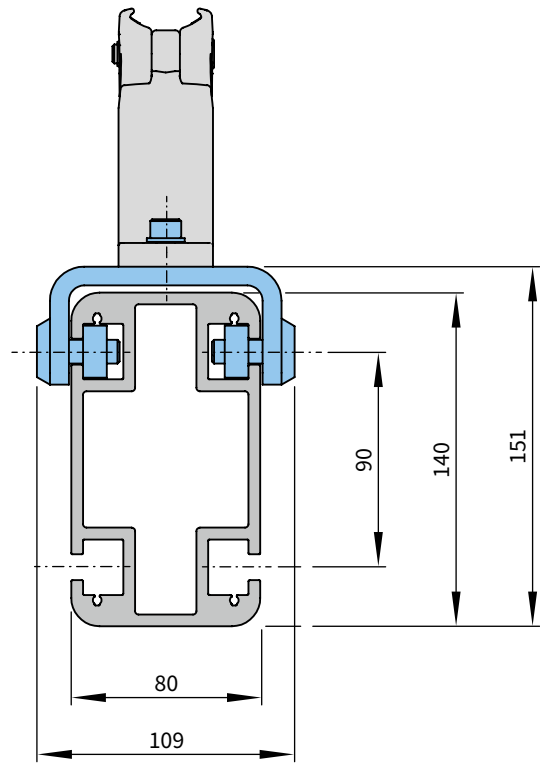
76917.

- A** = detailed view
- GB** = total width =  $M + 74 / 46^*$
- BH** = total height =  $SH + 40$
- M** = awning width =  $QB + 378 / 350^*$
- QB** = length of cross beam  
(max. length = 7000 mm) =  $SAM - 204 / 190^*$  mm
- SAM** = order dimensions = Central post distance dimensions
- SH** = post height (standard: 3180 mm / max.: 4500 mm)
- 76917.** = fixture options for markilux pergola, markilux 8800 to markilux RS-2

01 **Crossbar adapter for track bracket markilux 8800**



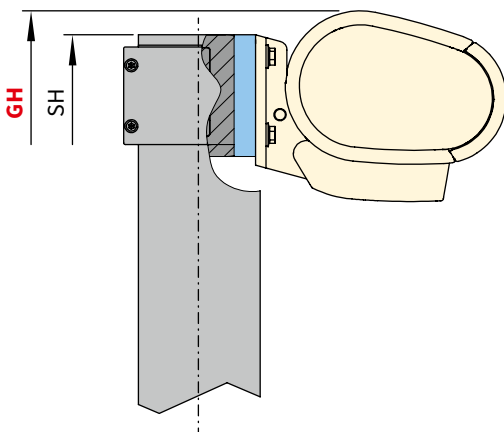
12 **73441.**



dimensions in mm

13  
14  
15

**Overview total height (GH) on different awnings**



**BH** = overall height  
**SH** = post height (standard: 3180 mm / max.: 4500 mm)  
**W** = awning pitch

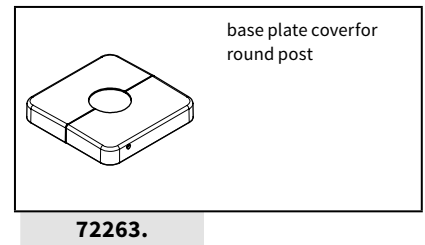
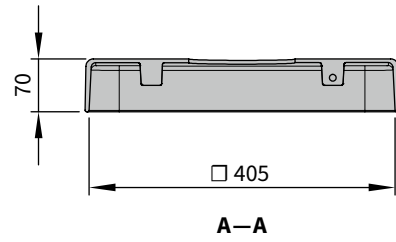
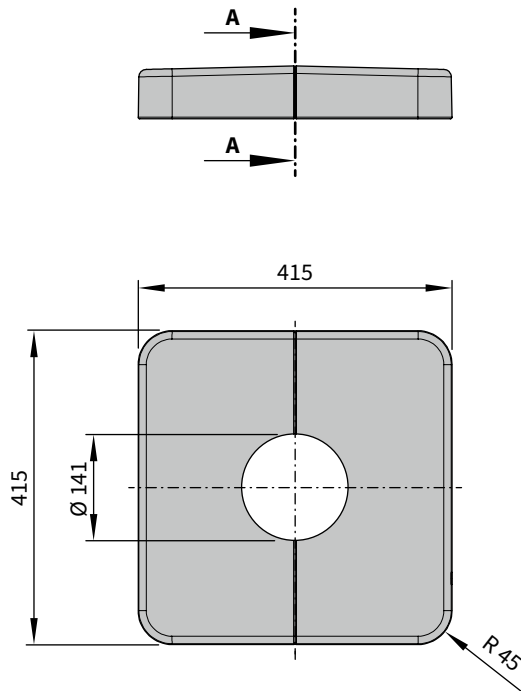
Awning	GH (W = 15°)
markilux <b>6000</b>	SH + 25
markilux <b>5010</b>	SH + 0
markilux <b>3300 pur</b>	SH + 43
markilux <b>990</b>	SH + 27
markilux <b>1710</b>	SH + 53
markilux <b>1710 stretch</b>	SH + 53
markilux <b>1500</b>	SH + 59
markilux <b>1600</b>	SH + 59
markilux <b>1600 stretch</b>	SH + 59
markilux <b>1650</b>	SH + 59
markilux <b>930 swing</b>	SH + 27
markilux <b>1300 Basic</b>	SH + 61
markilux <b>1700</b>	SH + 53
markilux <b>1700 stretch</b>	SH + 53
markilux <b>8800</b>	SH + 40
markilux <b>pergola</b>	SH + 40

dimensions in mm



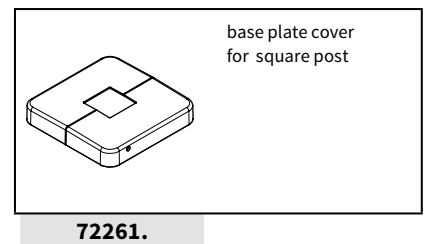
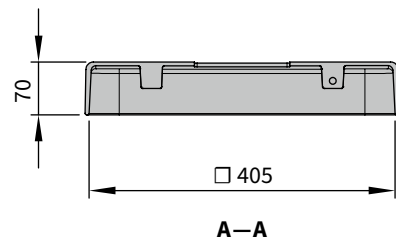
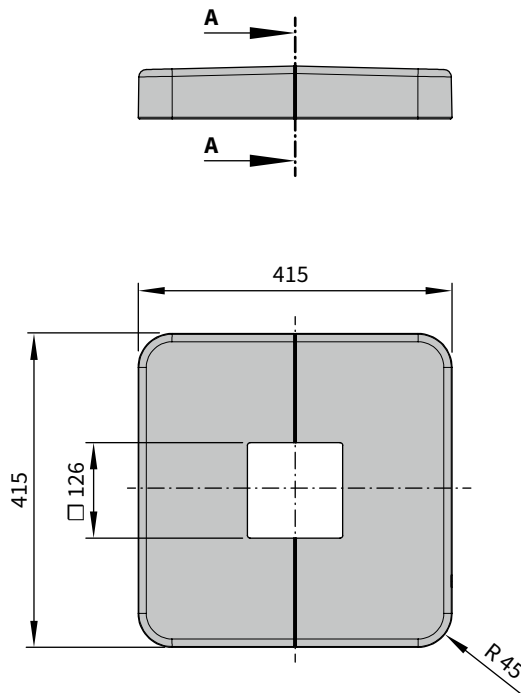
### Base cover of the post

Base cover of the post with a round cross-section



dimensions in mm

### Base cover of the post with a square cross-section

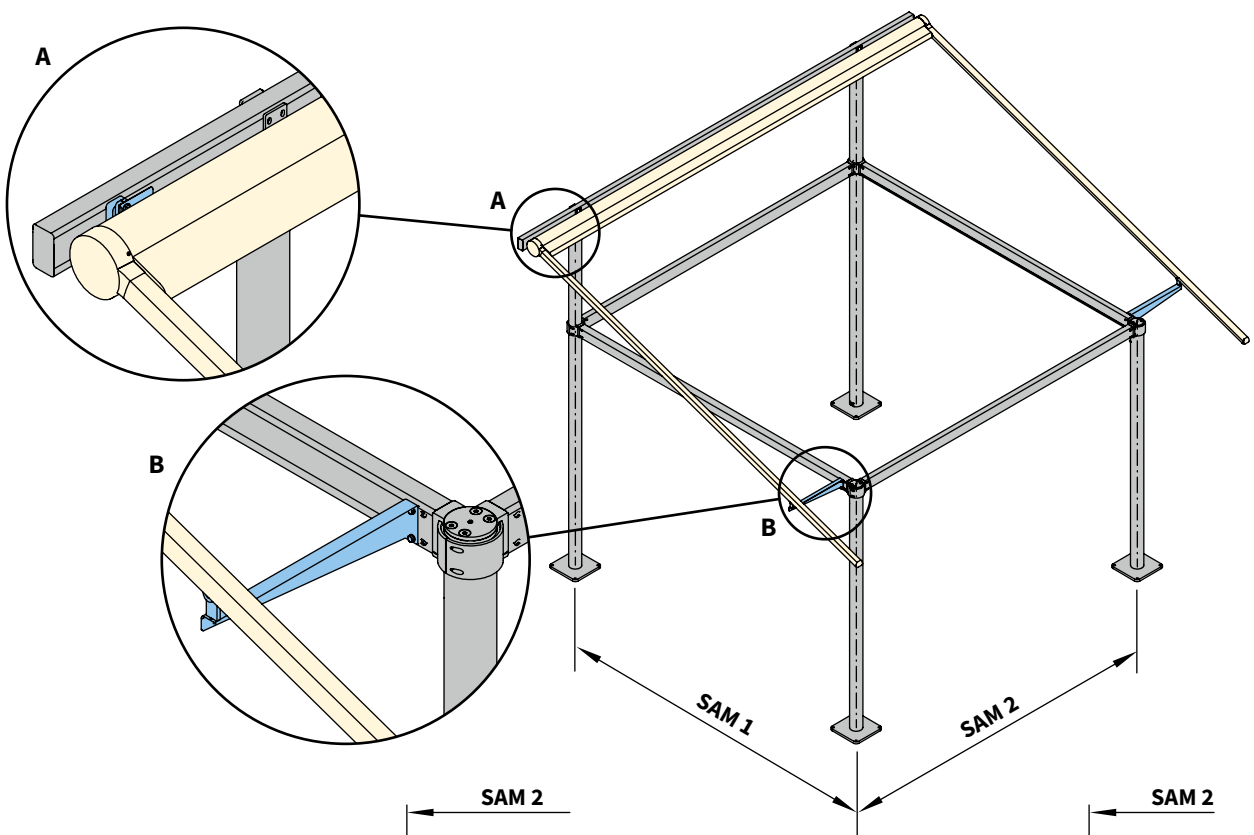


dimensions in mm

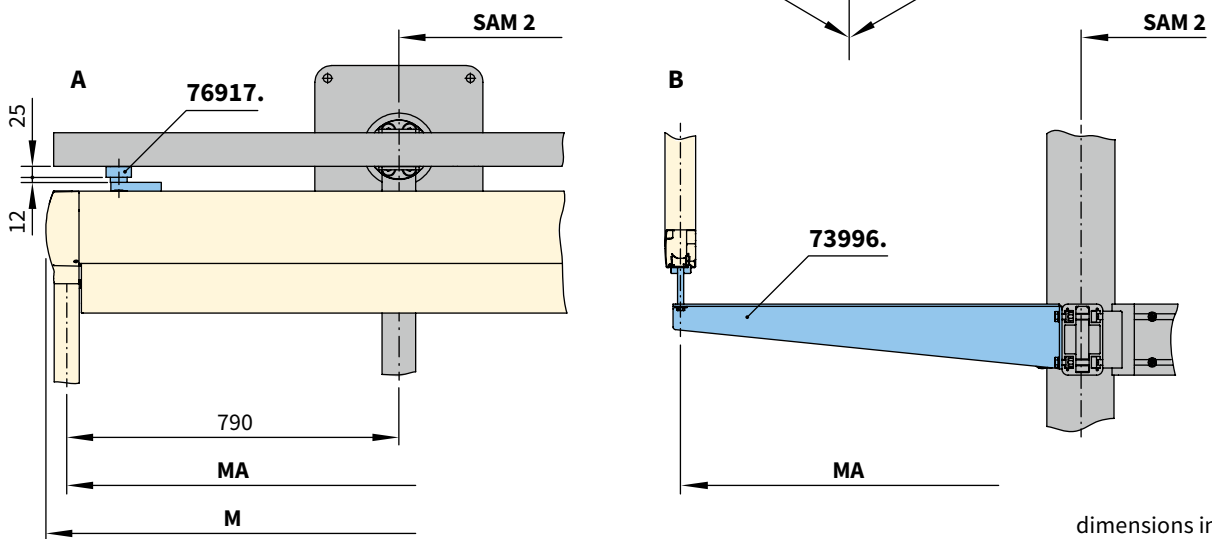
01  
02  
03  
04  
05  
06  
07  
08  
09  
10  
11  
**12**  
13  
14  
15

01 **markilux RS-2 with lateral protruding markilux 8800** (on request)

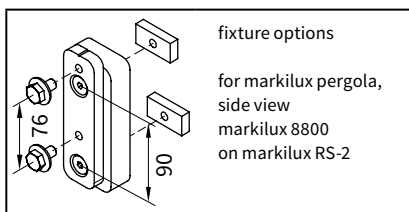
02 **Fixture example**



12

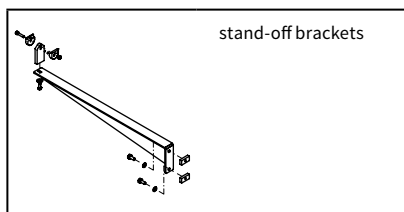


dimensions in mm



fixture options  
for markilux pergola,  
side view  
markilux 8800  
on markilux RS-2

76917.

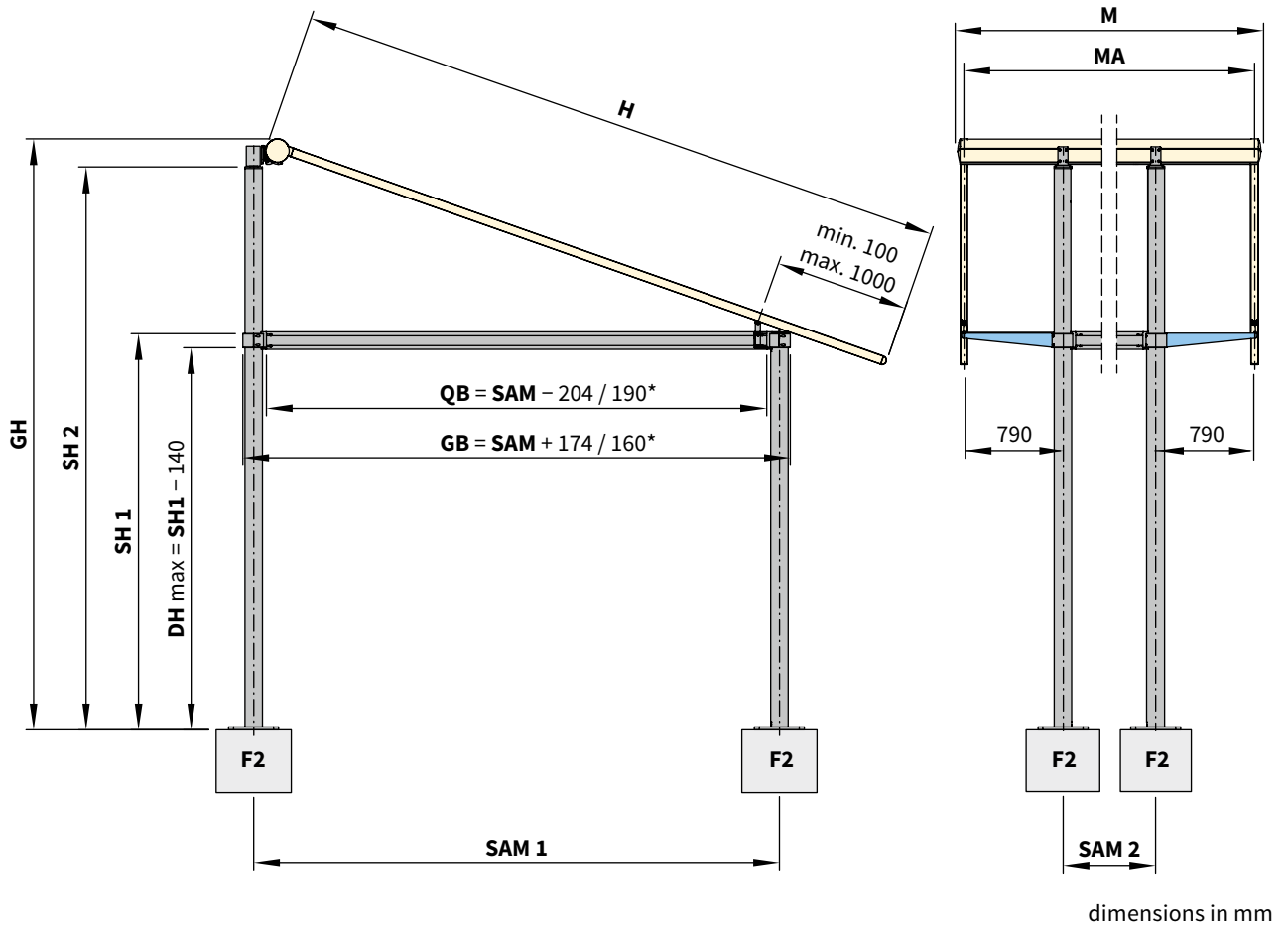


stand-off brackets

73996.

- M** = overall awning width
- MA** = awning fixture width = awning width between fixture points
- SAM** = order dimensions = Post separation, centre to centre of the posts
- 76917.** = fixture options for markilux 8800 to markilux RS-2
- 73996.** = via stand-off brackets

Dimension overview

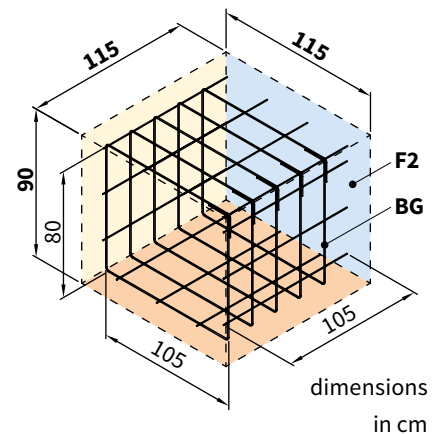


dimensions in mm

**On site the following have to be prepared as per drawing below every post:**

- Concrete foundations (F2) with compressive strength C25/30 (previously B25) with rebar matting basket made of rebar matting Q188
- Base plates to be fixed on concrete foundations (F2) using Fischer A4 stainless steel anchor bolts FAZ II 16/50 and a washer certified to DIN 9021 (or equivalent)
- Observe mounting instructions by the respective manufacturer!

- \* = information on square posts
- M = awning width
- MA = awning fixture width = awning width between fixture points
- SAM = order dimensions = post separation, centre to centre of the posts
- H = nominal projection
- F2 = concrete foundations Type 2
- max = maximal
- BH = overall height
- SH = Post height (standard: 3180 mm / max.: 4500 mm)
- DH = headroom
- GB = overall width
- QB = length of cross beam
- BG = armoured cage made from rebar matting Q188

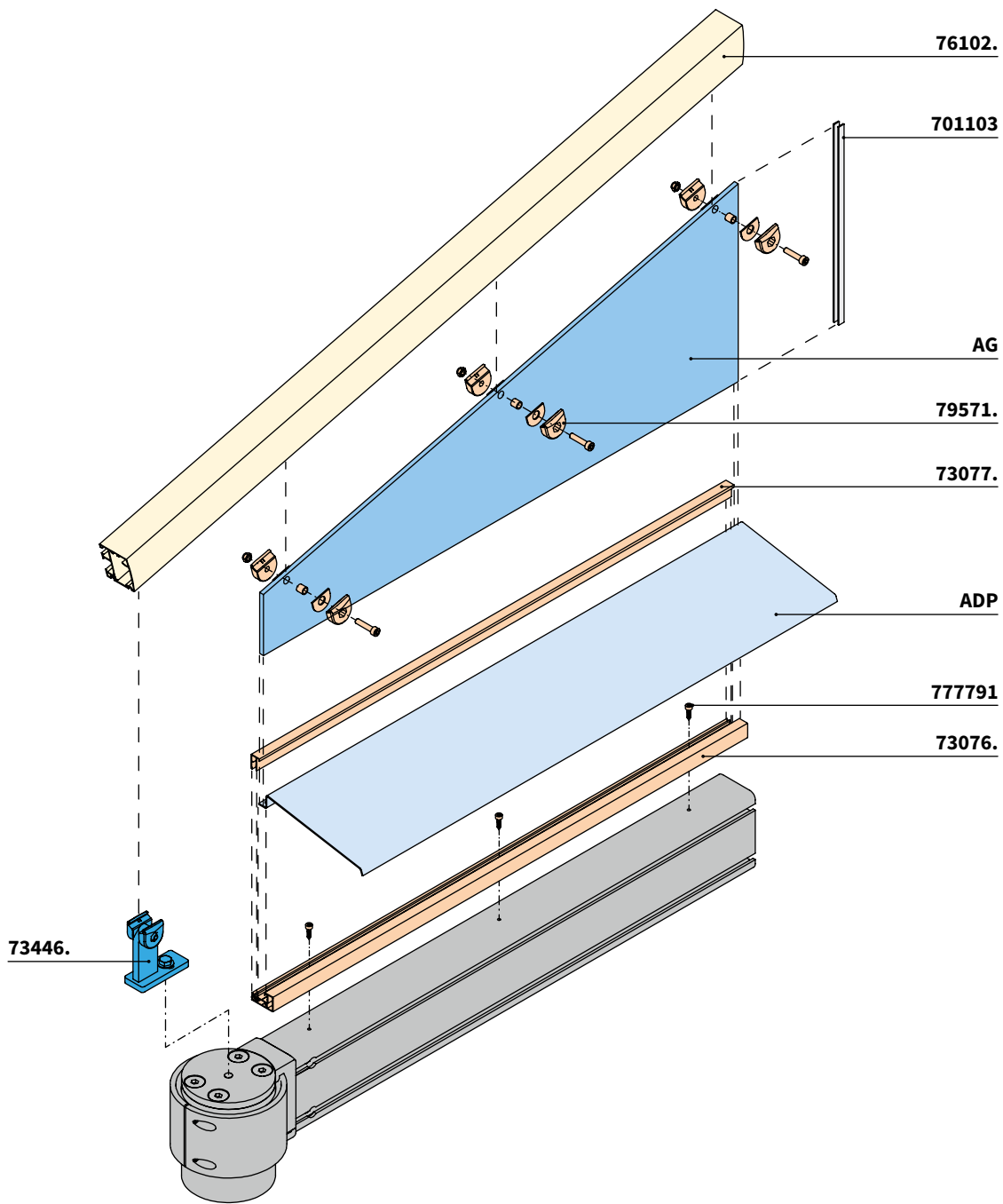


dimensions in cm

01  
02  
03  
04  
05  
06  
07  
08  
09  
10  
11  
12  
13  
14  
15

01 Overview triangular acrylic glass

02  
03  
04  
05  
06  
07  
08  
09  
10  
11  
12  
13  
14  
15



**701103** = alu-U-profile

**73077.** = acrylic glass mount cover

**777791** = cylinder head sheet metal screw

**73076.** = acrylic glass mount

**76102.** = guide track

**79571.** = bracket for triangular acrylic glass top

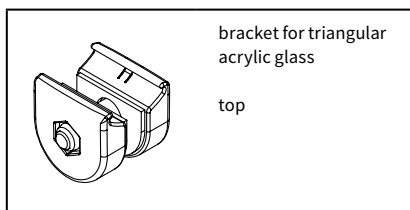
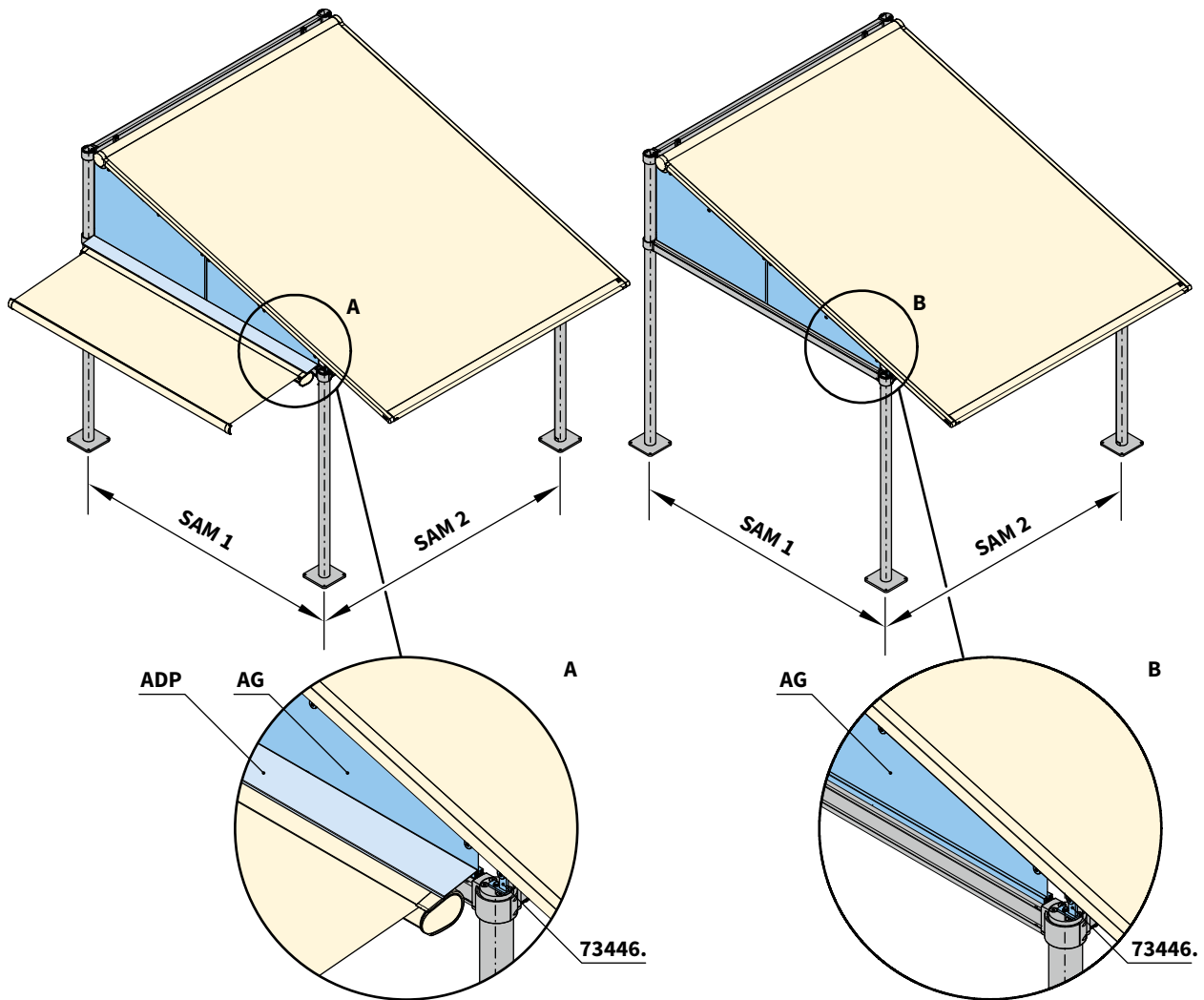
**73446.** = track bracket assembly for post

**ADP** = gap cover profile

**AG** = acrylic glass

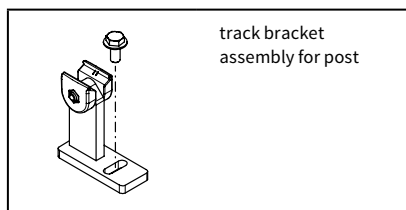
**markilux RS-2 with lateral trisquare acrylic glass** (on request)

Fixture example



bracket for triangular acrylic glass top

**79571.**



track bracket assembly for post

**73446.**

**SAM** = order dimensions = post separation, centre to centre of the posts

**ADP** = cover profile for folding-arm awnings

**AG** = acrylic glass

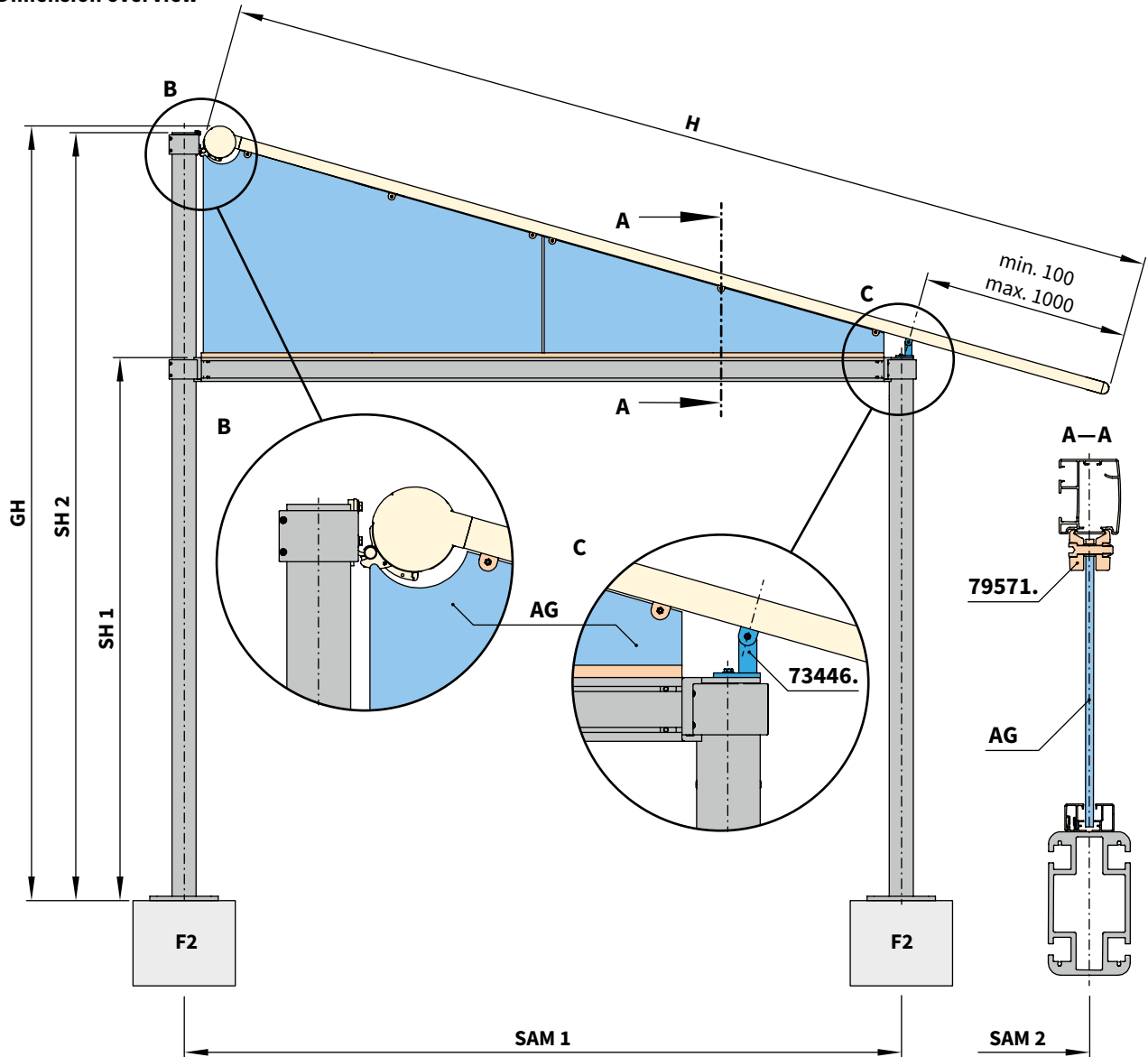
**73446.** = track bracket assembly for post

**79571.** = bracket for triangular acrylic glass top

01  
02  
03  
04  
05  
06  
07  
08  
09  
10  
11  
**12**  
13  
14  
15

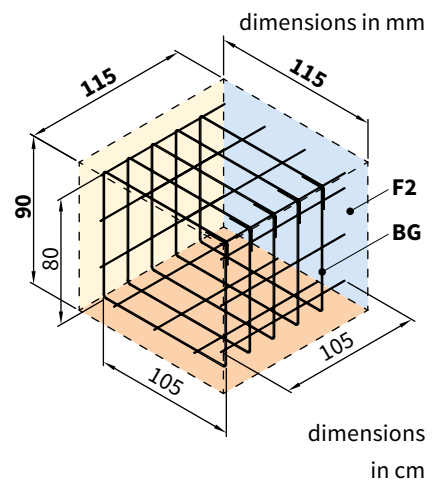
markilux RS-2 with lateral triangular acrylic glass (on request)

Dimension overview



On site the following have to be prepared as per drawing below every post:

- Concrete foundations (F2) with compressive strength C25/30 (previously B25) with rebar matting basket made of rebar matting Q188
- Base plates to be fixed on concrete foundations (F2) using Fischer A4 stainless steel anchor bolts FAZ II 16/50 and a washer certified to DIN 9021 (or equivalent)
- Observe mounting instructions by the respective manufacturer!



**SAM** = order dimensions = post separation, centre to centre of the posts

**BH** = overall height

**SH** = post height (standard: 3180 mm / max.: 4500 mm)

**H** = nominal projection

**F2** = concrete foundations Type 2

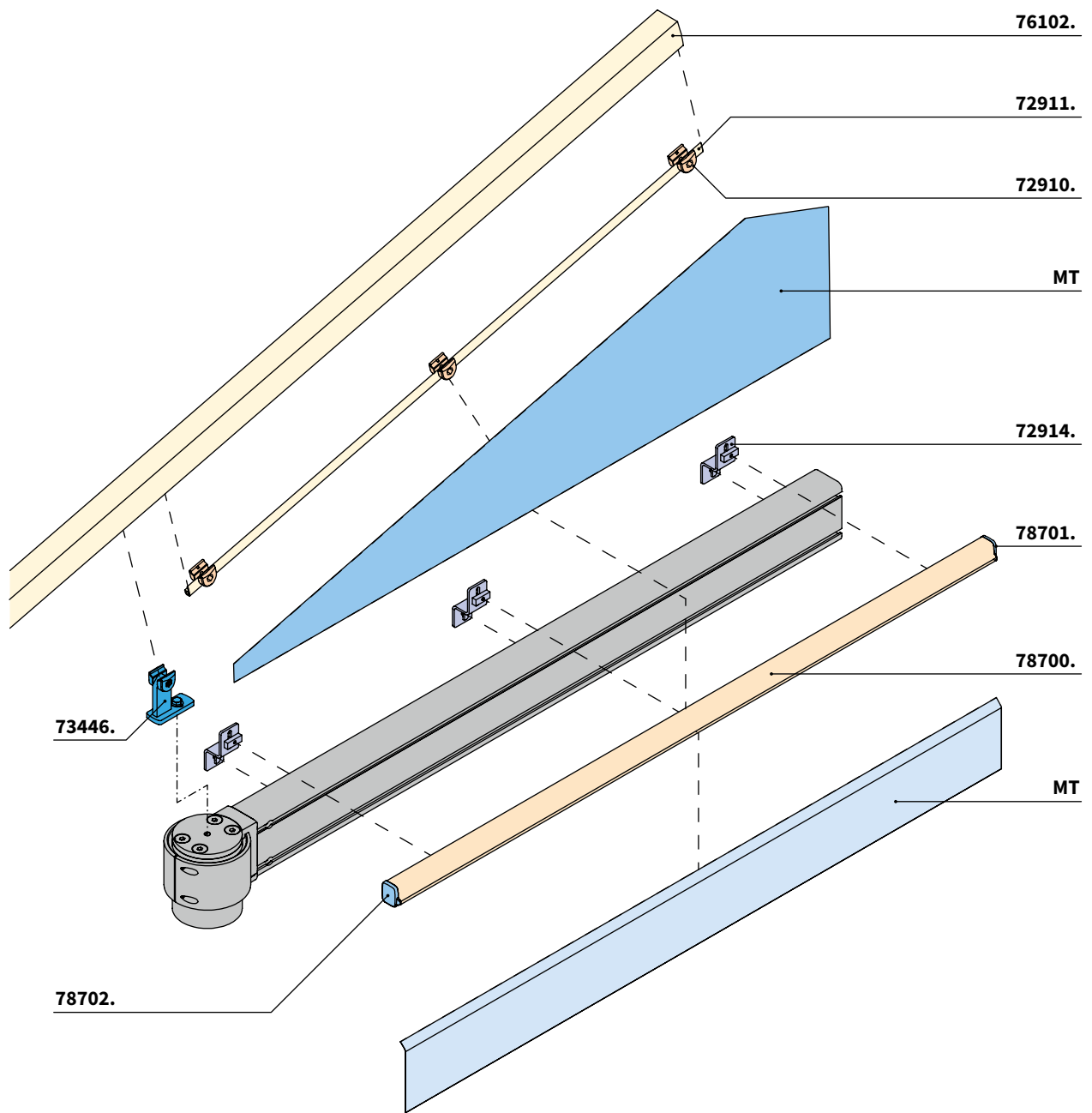
**BG** = armoured cage made from rebar matting Q188

**AG** = acrylic glass

**73446.** = track bracket assembly for post

**79571.** = bracket for triangular acrylic glass top

Overview triangular fabric cover



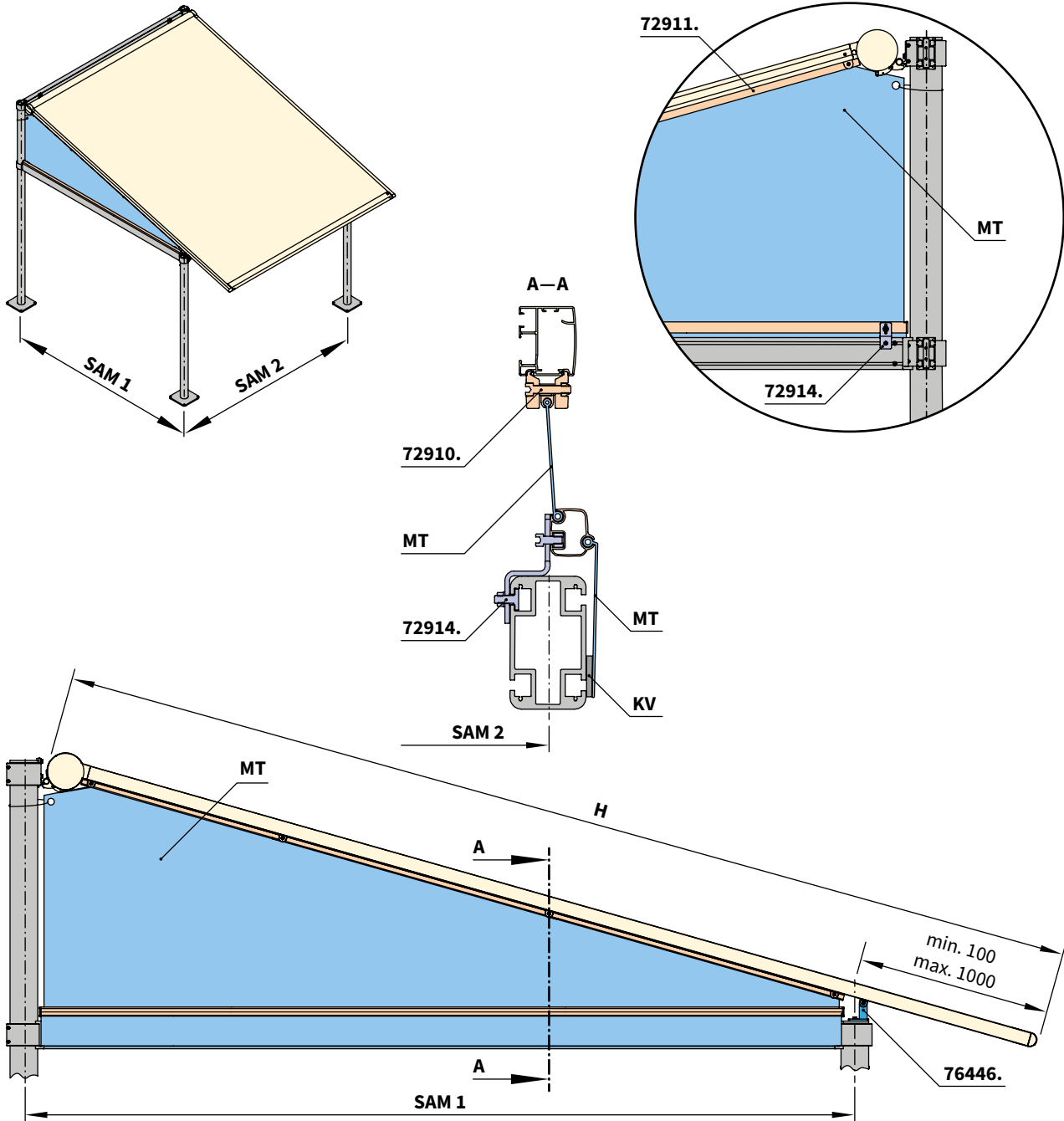
01  
02  
03  
04  
05  
06  
07  
08  
09  
10  
11  
**12**  
13  
14  
15

- 73446.** = track bracket assembly for post
- 78702.** = right cap for fabric track profile
- 76102.** = guide track
- 72911.** = fixture rail bracket assembly (top)

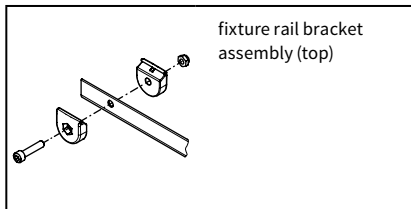
- 72914.** = fixture rail bracket assembly (bottom)
- 78701.** = left cap for fabric track profile
- 78700.** = bottom fabric track profile
- MT** = awning cover

01 **markilux RS-2 with lateral triangular fabric cover** (on request)

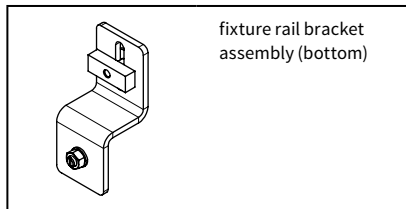
02 **Fixture example**



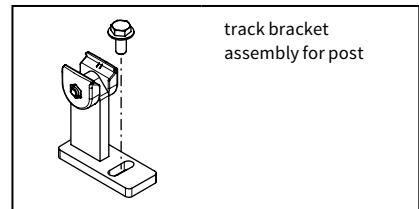
dimensions in mm



72911.



72914.



73446.

**SAM** = order dimensions = post separation,  
centre to centre of the posts

**H** = nominal projection

**MT** = awning cover

**KV** = velcro fastener

**72910.** = bracket assembly for fixture rail at top

**72911.** = fixture rail bracket assembly (top)

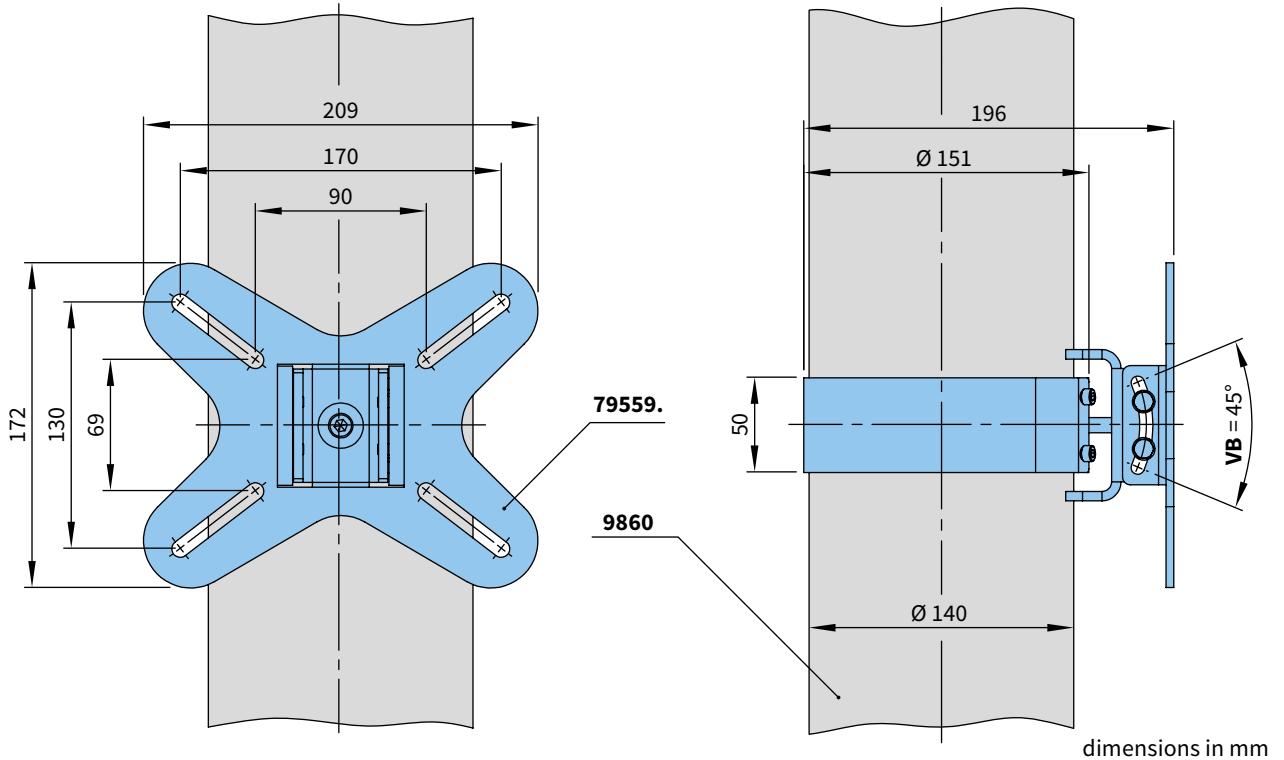
**72914.** = fixture rail bracket assembly (bottom)

**73446.** = track bracket assembly for post



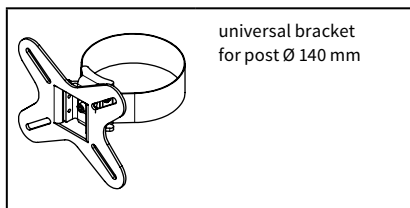
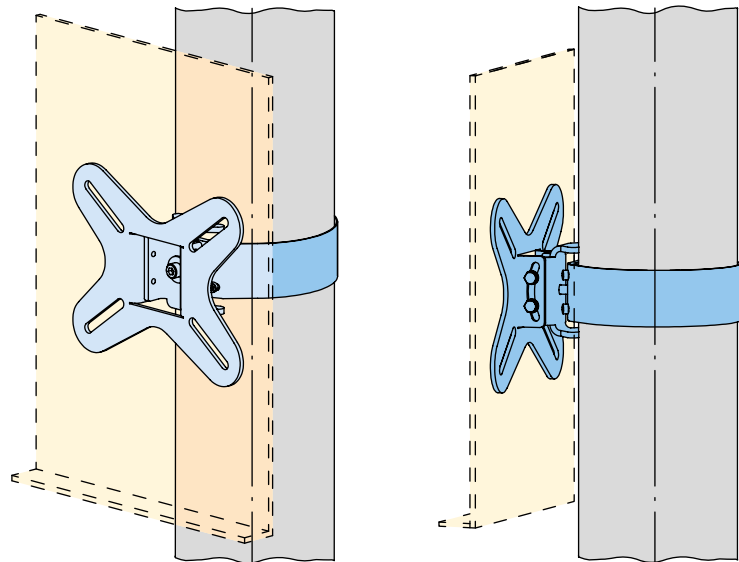
# Universal bracket for round post Ø 140 mm

## Dimension overview



01  
02  
03  
04  
05  
06  
07  
08  
09  
10  
11  
12  
13  
14  
15

### Fixture example: Mounting of panel, display or similar



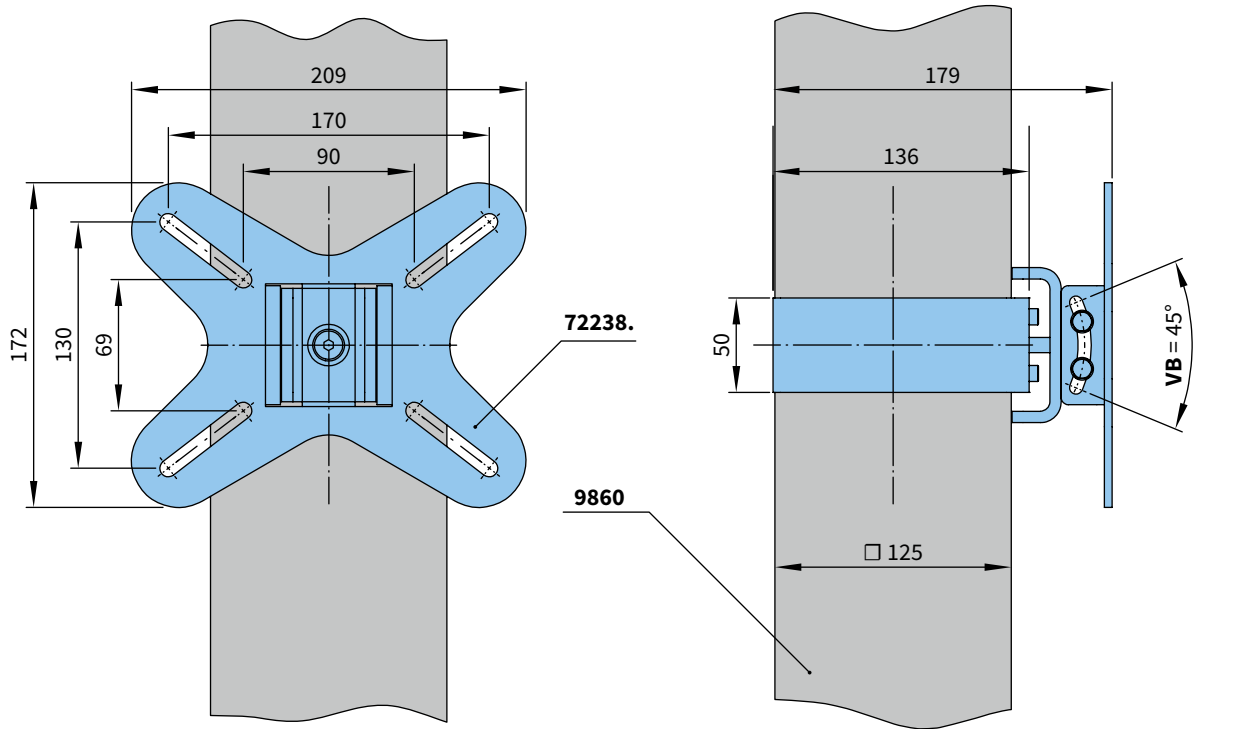
universal bracket for post Ø 140 mm

79559.

- VB = adjustment range
- 79559. = universal bracket for post Ø 140 mm
- 9860 = post

01 **Universal bracket for square post**

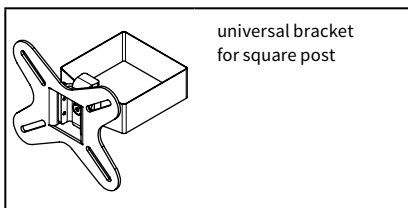
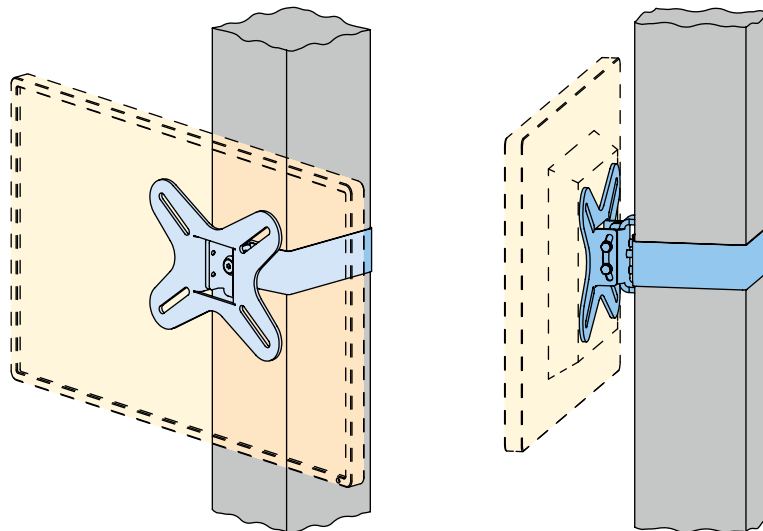
02 **Dimension overview**



dimensions in mm

12

13 **Fixture example: Mounting of panel, display or similar**



universal bracket for square post

72238.

**VB** = adjustment range

**72238.** = universal bracket for square post

**9860** = post