



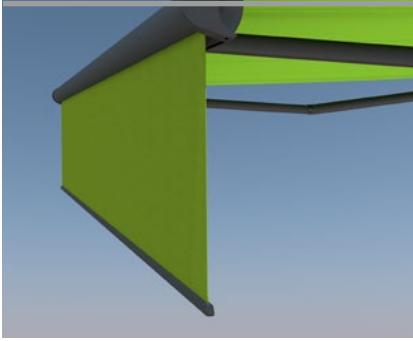
## markilux planet

Well shaded – thanks to this innovative markilux awning system

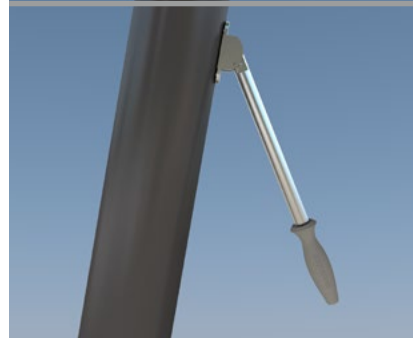
With new base covers



01  
02  
03  
04  
05

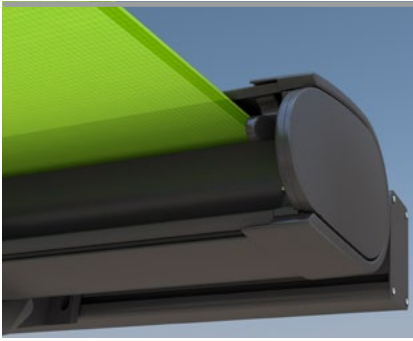


Extended solar and visibility protection through the markilux shadeplus (optional)



markilux planet flex: rotatable through Easy Go turn/lever mechanism

06  
07  
08  
09  
10



the appearance of the markilux planet harmonises perfectly with the "body language" of markilux folding-arm awnings



planet flex: the turning range can be engaged conveniently in ten steps of 30° each, to a total of 300°

New, attractively formed cover for the assembly base

11  
12  
13  
14

## Design Features

Awarded the PLUS X AWARD as "Best product of the year"

the ideal way to uniquely personalise your favourite spot in the garden or even in hotels or restaurants

functional, unique appearance, elegant design

the appearance of the markilux planet harmonises perfectly with the "body language" of markilux folding-arm awnings

Available in seven standard frame colours at no extra charge

the extensive range of colours and the 250 fabric patterns in the markilux collection mean that the range of options is virtually unlimited

## Technical Specification

Awarded the PLUS X AWARD in the categories Innovation, High Quality, Design and Functionality

available in two versions: fixed in place as the markilux planet fix or optionally as the markilux planet flex which can be rotated by up to 335°.

The prerequisite for installation of the markilux planet is concrete foundations

depending on the model, folding-arm awnings up to 600/610 cm x 300 cm or 500/510 cm x 350 cm can be fitted

## Accessories

for individual awning model descriptions as well as the available colours, optional accessories and bespoke options please consult the current markilux sales documentation for markilux patio & balcony awnings

polyester powder coating in non-standard colours is available to individual order (prices on request, longer lead time)

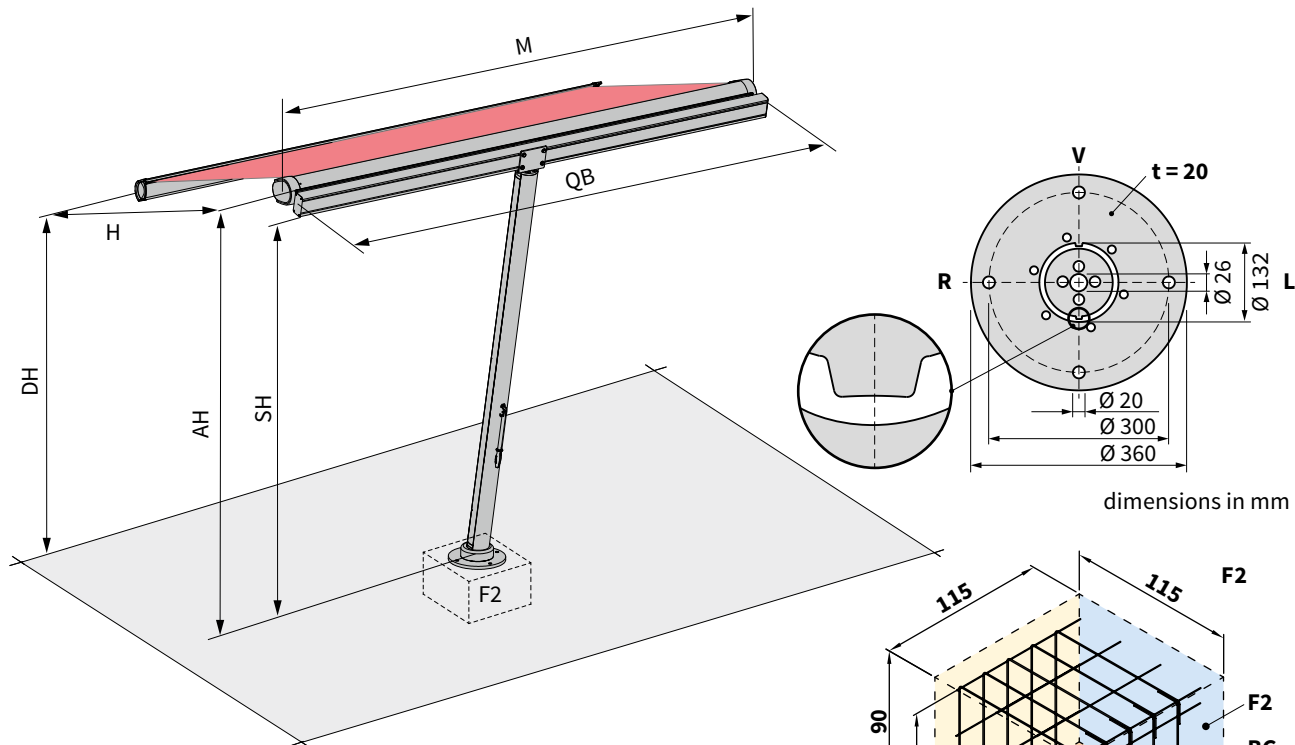
the markilux planet flex can be rotated by virtue of the Easy Go turn/lever mechanism

the markilux shadeplus is available in accordance with the awning model and size

Column available in intermediate height

Attractively formed cover for assembly base

15

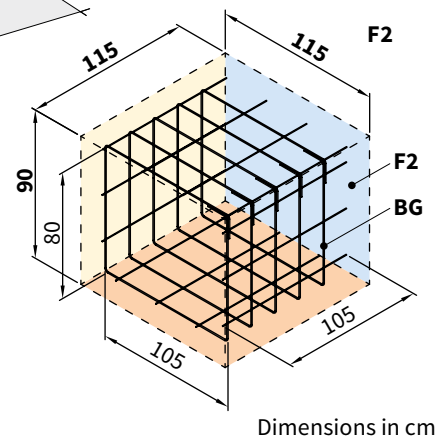


- M** = overall awning width = length of cross beam
- QB** = length of cross beam
- AH** = unit height
- DH** = headroom
- H** = nominal projection
- F2** = concrete footing
- SH** = support post height
- BG** = armoured cage made from rebar matting Q188
- V** = front
- R** = right
- L** = left
- t** = material thickness (in mm)

**Frame colours**

		standard	optional
traffic white	RAL 9016		
metallic aluminium	RAL 9006		
grey brown	similar to RAL 8019		
off-white textured finish*	5233		
stone grey metallic*	5215		
anthracite metallic*	5204		
Havana brown textured finish*	5229		
non-standard powder-coated finish			

\* = textured finish



**Covers, Operation, Drive options, Dimensions and tolerances / Miscellaneous**

This data depends on the individual model. Details can be found in the technical documentation relating to each specific model.

**On site, the following have to be prepared as per the drawing for every post:**

- Concrete foundations (**F2**) with a compressive strength of C25/30 (previously B25) with a reinforcement cage made of rebar matting Q188
- Mounting of the base plate onto concrete foundations (**F2**) with Fischer anchor bolts FAZ II 16/50 made of A4 stainless steel with washer acc. DIN 9021 (or equivalent)
- Observe mounting instructions by the respective manufacturer!

**GUIDELINE:** In order to guide the power cable to the awning through the base plate and post, plan in a duct in the foundations. Alternatively a power supply cable can be run round the foundations and up through the post.

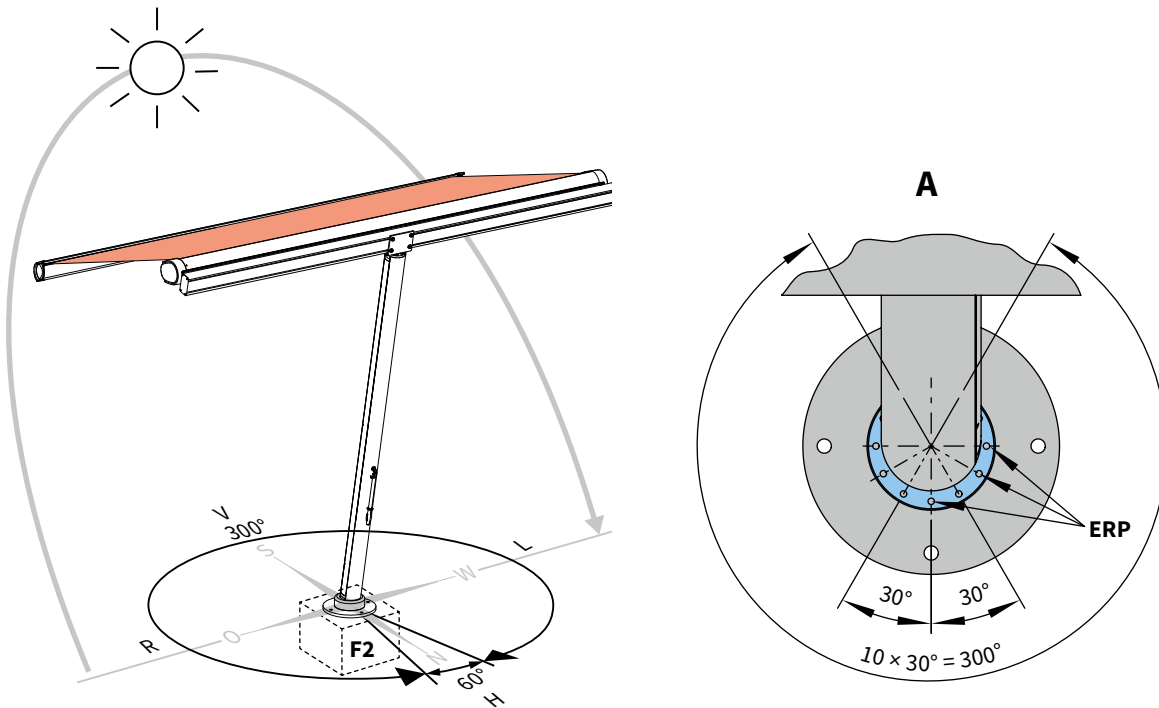
**Planning permission**

Caution: Please observe that shade systems may be subject to compulsory planning permission regulations depending on the region.

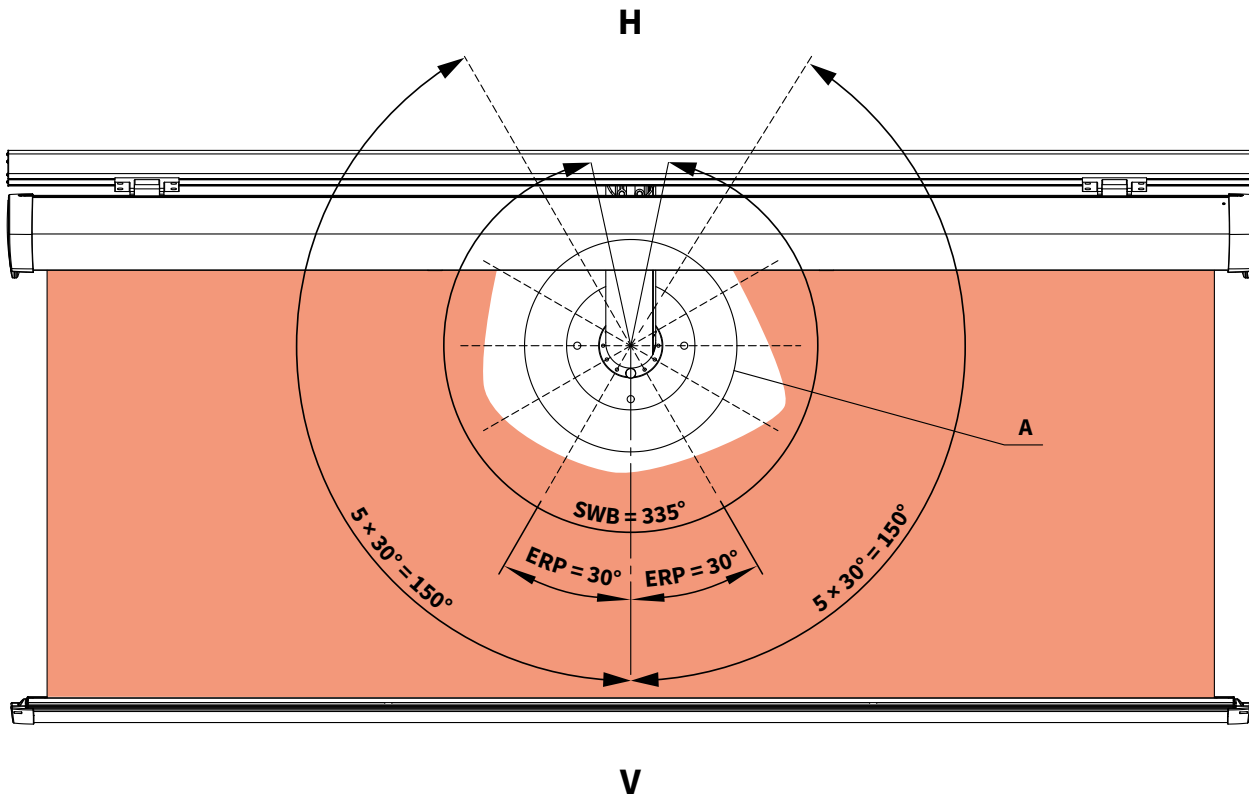
01  
02  
03  
04  
05  
06  
07  
08  
09  
10  
11  
12  
13  
14  
15

01 **Swivel range markilux planet flex**

02 By virtue of the Easy-Go turn/lever mechanism, the markilux planet flex has a predetermined locking range of 300°.  
 03 In order to make optimum use of the possible shade area, the remaining 60° are to be aligned to the north.



15



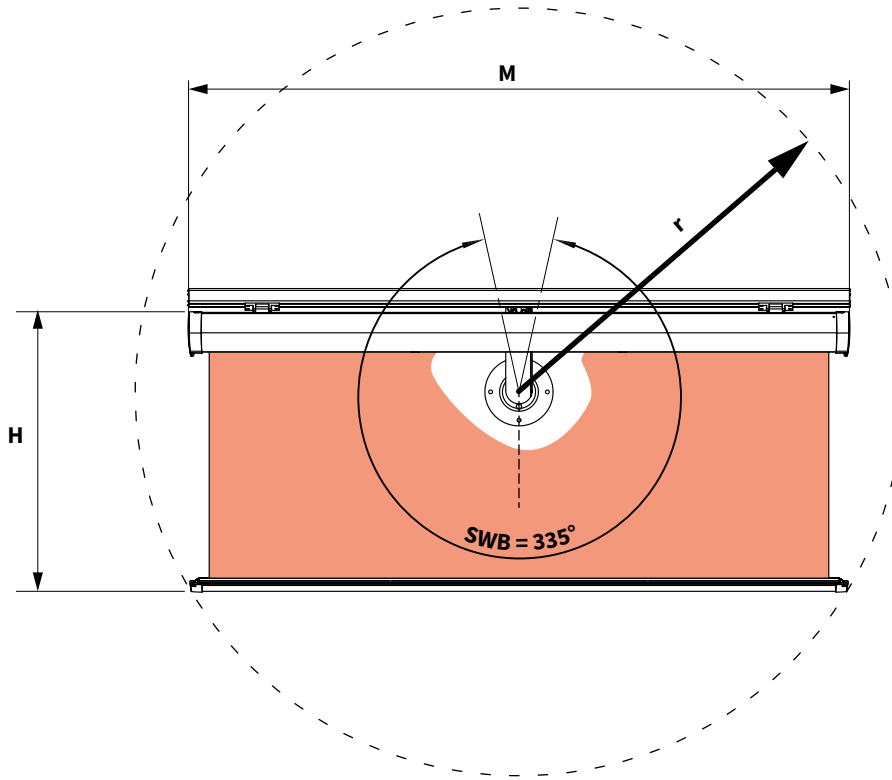
**SWB** = rotation range  
**ERP** = locking point  
**A** = detailed view

**H** = back  
**V** = front

**R** = right  
**L** = left

## Turning radii of the markilux planet flex

**N.B!** In order to make full use of the rotation range of the markilux planet flex, no object should be placed or left inside the specified radius.



Depending on the model, markilux folding-arm awnings up to **600/610 cm x 300 cm** or **500/510 cm x 350 cm** can be fitted.

**Please observe the size tables for the respective models!**

### Turning radii (r) of the markilux planet flex with markilux awnings

markilux ES-1, 6000, 5010, 3300 pur, 1700, 1710, 1300 Basic, 990, 930 swing

markilux 1500, 1600, 1650

		M							
		250	300	350	400	450	500	550	600
H	150	163	183	204	226	248	271	294	318
	200	199	215	234	253	273	294	316	338
	250	—	254	269	286	304	323	343	363
	300	—	—	309	324	340	357	375	394
	350	—	—	—	364	379	394	—	—

		M							
		260	310	360	410	460	510	560	610
H	150	167	187	208	230	253	276	299	323
	200	202	219	238	257	277	298	320	342
	250	—	257	273	290	308	327	347	367
	300	—	—	312	327	343	360	378	397
	350	—	—	—	367	382	397	—	—

### Turning radii (r) of the markilux planet flex with markilux stretch awnings

markilux 1600 stretch

markilux 1700 stretch, 1710 stretch

		M							
		150	175	200	225	250	300	350	400
H	150	129	136	—	—	—	—	—	—
	200	172	178	184	191	—	—	—	—
	250	—	222	228	233	240	—	—	—
	300	—	—	273	278	284	295	—	—
	350	—	—	—	325	329	339	351	—

		M							
		160	185	210	235	260	310	360	410
H	150	132	140	—	—	—	—	—	—
	200	174	180	187	194	—	—	—	—
	250	—	224	230	236	242	—	—	—
	300	—	—	275	280	286	298	—	—
	350	—	—	—	326	331	342	354	—

Dimensions in cm

**SWB** = rotation range  
**ERP** = locking point  
**r** = swivel radius

**M** = overall awning width  
**H** = nominal projection

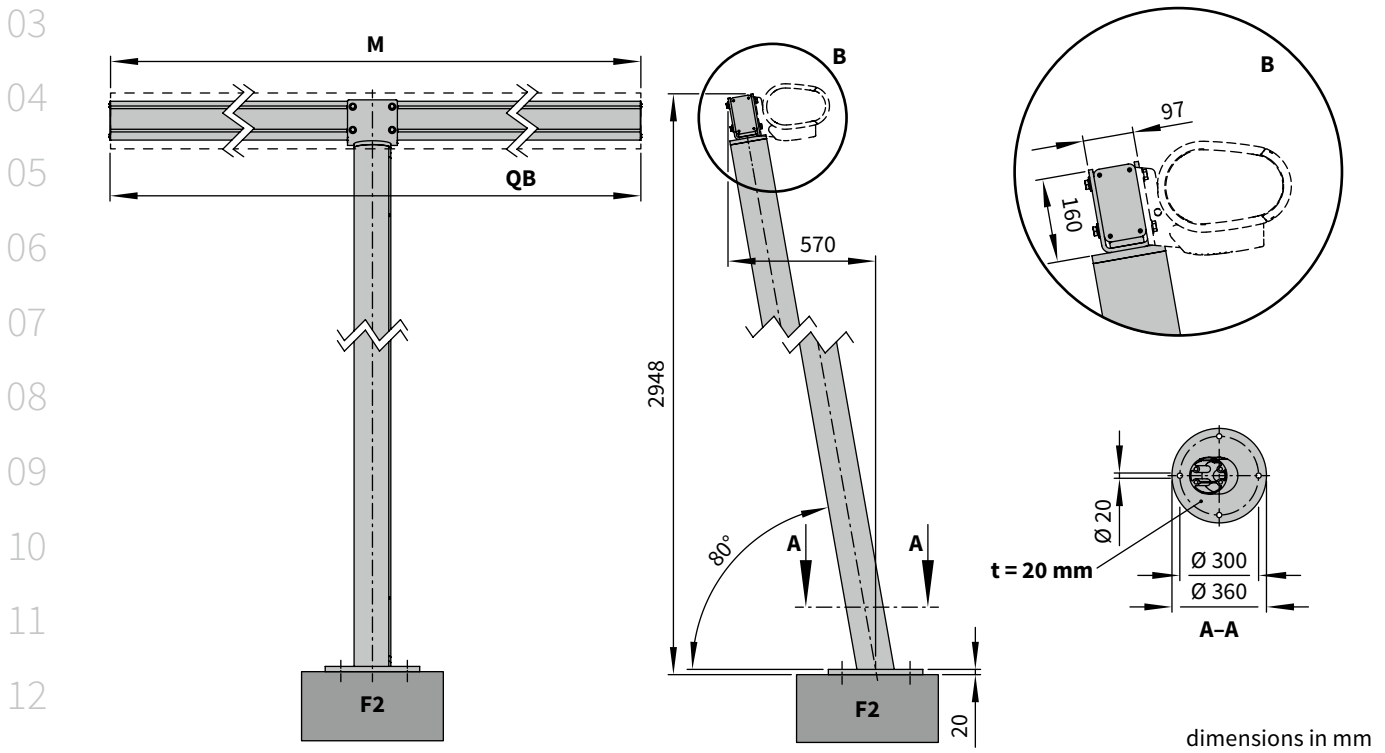
01  
02  
03  
04  
05  
06  
07  
08  
09  
10  
11  
12  
13  
14

15

01 **Dimension overviews**

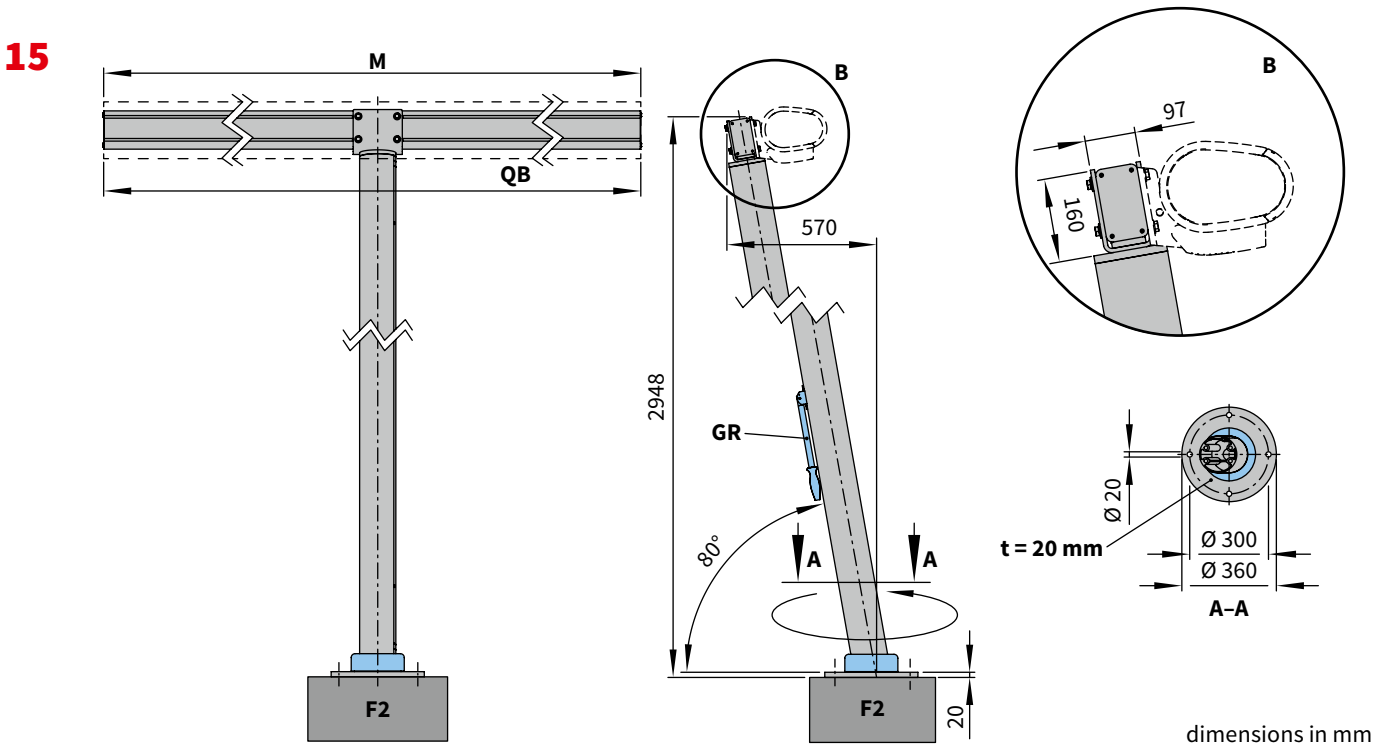
02 **Dimension overview markilux planet fix (fixed in place)**

Illustrated by way of the markilux 6000



15 **Dimension overview markilux planet flex (can be rotated)**

Illustrated by way of the markilux 6000

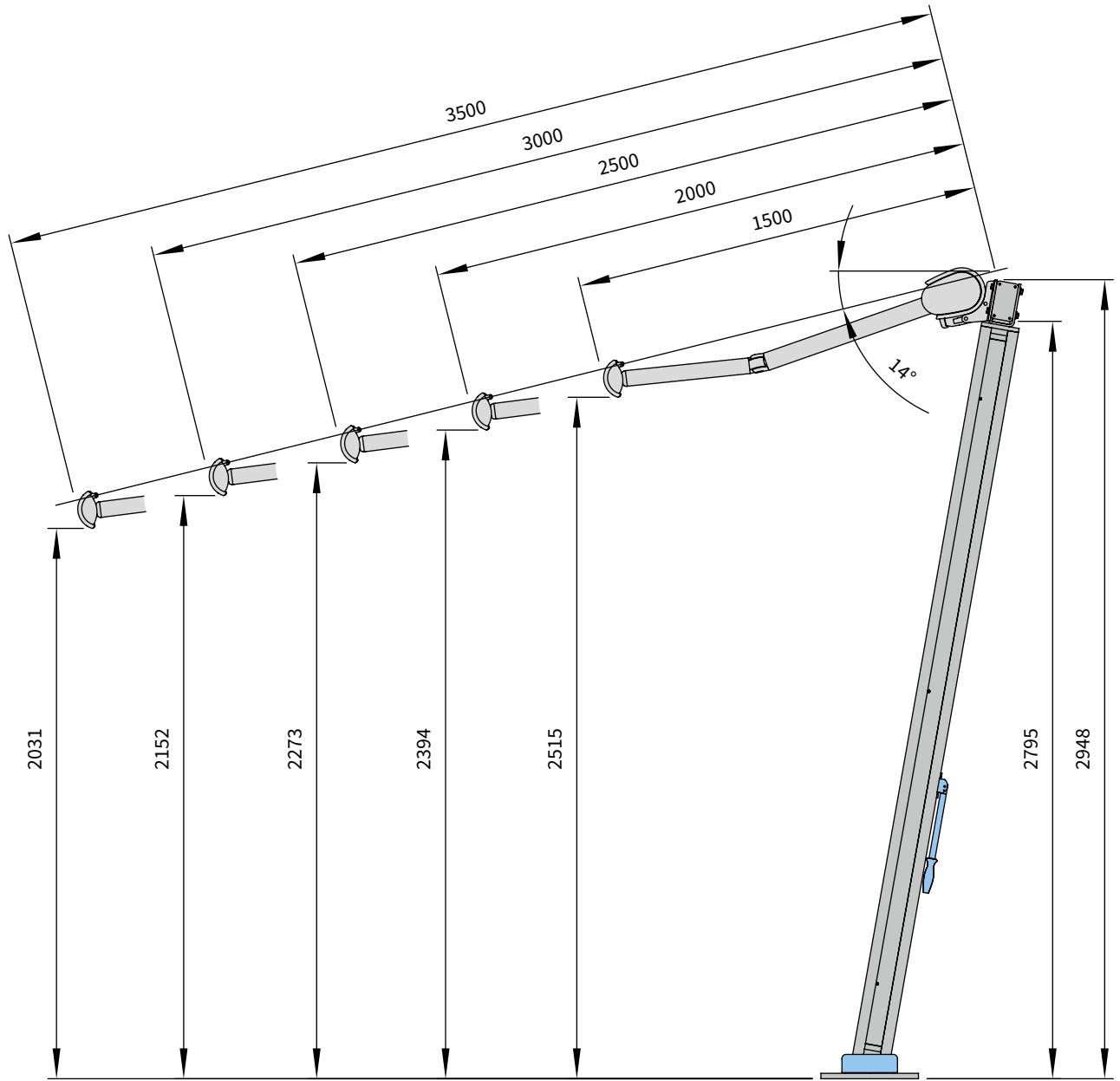


- M** = overall awning width = length of cross beam
- QB** = length of cross beam
- F2** = concrete foundation with armour matting basket
- t** = material thickness

- GR** = handle
- B** = detailed view
- A-A** = in cross section

# Headroom in relation to projection

markilux planet fix and markilux planet flex



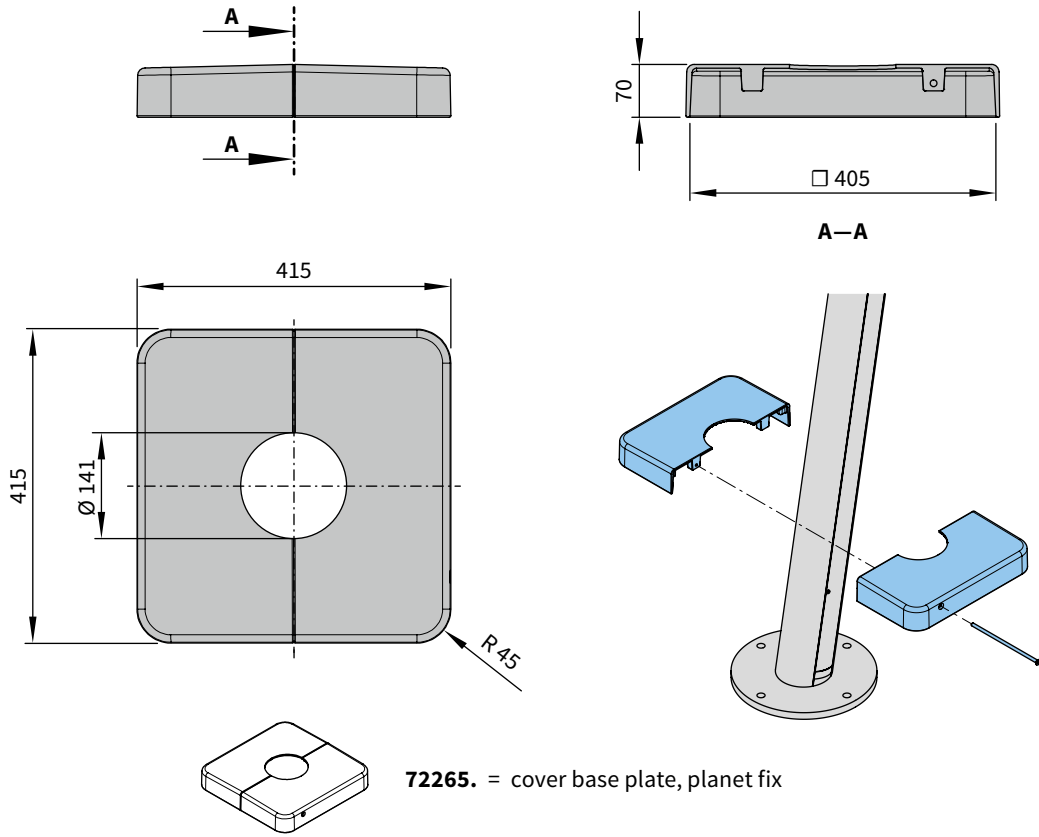
dimensions in mm

- 01
- 02
- 03
- 04
- 05
- 06
- 07
- 08
- 09
- 10
- 11
- 12
- 13
- 14

**15** ■

01 **Base cover**

02 For markilux planet fix



15

For markilux planet flex

