



markilux syncra 2 fix / syncra 2 uno fix pergola 110 / 210

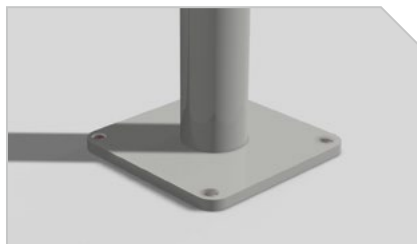
**Stylish solar shading and weather protection for large areas
Sleek and slender – the free-standing awning frame system
for the markilux pergola 110 / 210**

markilux syncra 2 fix

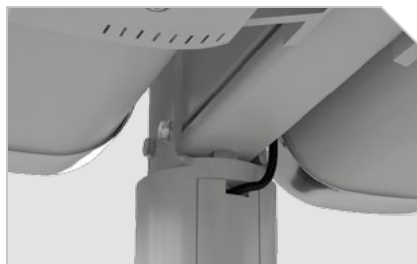
with two markilux pergolas 110 / 210
side view with markilux pergola 110 / 210



base plates for fixture to concrete footings

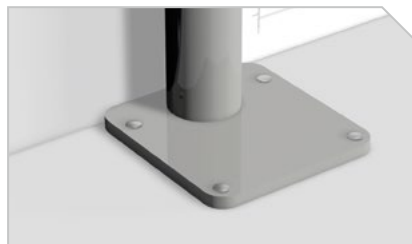
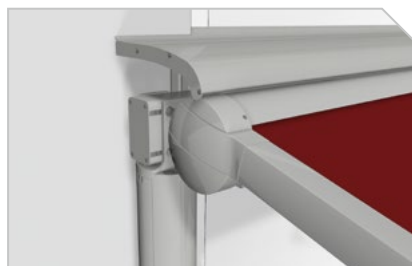


internal cavity for convenient storage and protection of any cabling



markilux syncra 2 uno fix

with one markilux pergola 110 / 210



Design Features

sturdy, free-standing awning frame system in a more contemporary design

rounded support posts reflect the design style of the markilux folding-arm awnings

an elegant, free-standing awning support system resting on slender posts with unobtrusive lateral guide tracks

Technical Specification

free-standing awning frame system with two round support posts for the markilux pergola (in the case of the syncra 2 fix, two markilux pergolas, in the case of the syncra 2 uno fix, one markilux pergola)

especially large extensions provide generous shade with high wind stability (wind resistance class 3)

independent use of the individual awnings

simple fixture of the awning stand to a concrete foundation

For dimensions and technical details please consult the section on the pergola 110 / 210

Accessories

polyester powder coating in non-standard colours is available to individual order (prices on request, longer lead time)

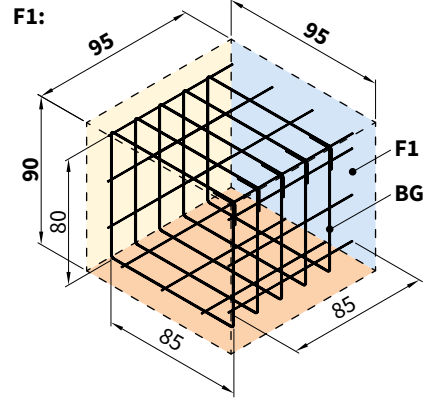
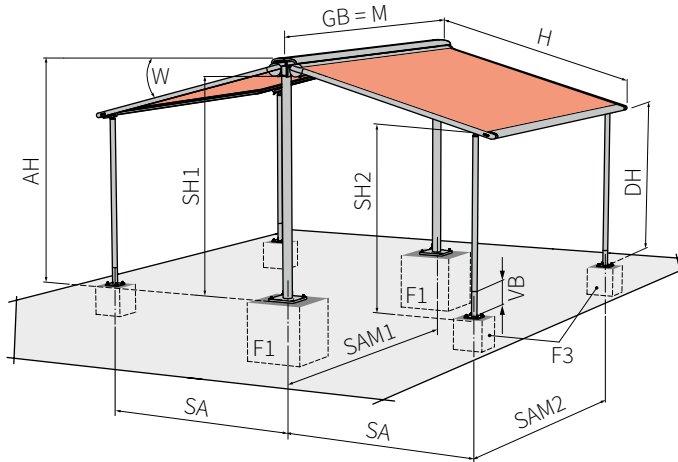
the standard specification of the markilux pergola 110 / 210 is with hard-wired motor, optionally available with radio-controlled motor and markilux remote control

for individual awning model descriptions as well as optional accessories and bespoke options consult the section on the markilux pergola 110 / 210

For configuration options, colours and dimensions please consult the pergola 110 / 210 section of the sales manual.

Installation dimensions

syncra 2 fix with markilux pergola 110 / 210 / single unit

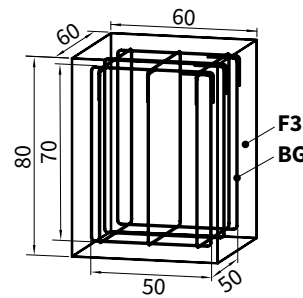


armour matting basket made from rebar matting Q188 (dimensions in cm)

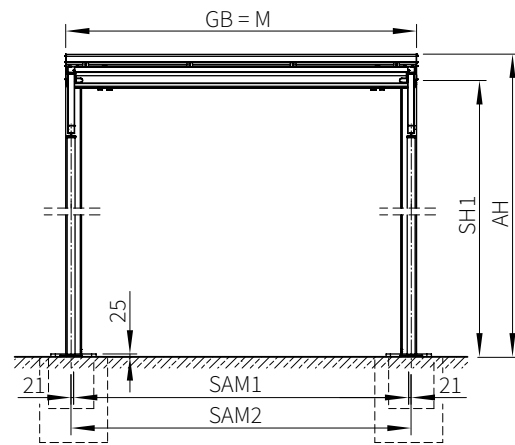
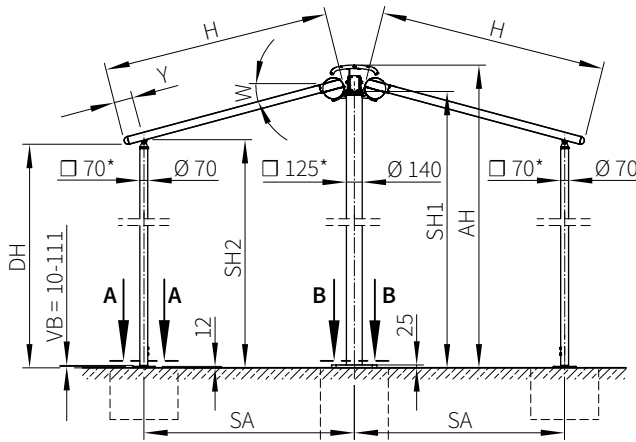
On site the following have to be prepared as per drawing for every post:

- a concrete base of armoured concrete with a compressive strength of C25/30 (previously B25) with an armour matting basket made of rebar matting Q188 / rebar steel Ø 6 mm
- the front base plates (F3) are to be fixed using Fischer marine-grade stainless steel anchor bolts FAZ II 16/50 and washers certified to DIN 9021 (or equivalent)
- the rear base plates (F1) are to be fixed using Fischer marine-grade stainless steel anchor bolts FAZ II 16/50 and washers certified to DIN 9021 (or equivalent)

F3:

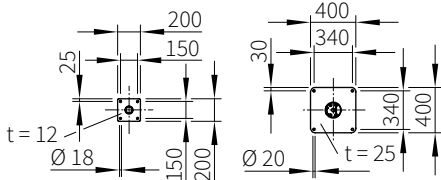


armour matting basket made of 6 pieces of steel rebar, Ø 6 mm (dimensions in cm)



A-A

B-B



$SA = \cos W \times (H - Y) + AX + 52,5 \text{ mm}$						
$DH = SH2 - \sin W \times Y$						
AH	SH1	SAM 1	SAM 1*	SH2	SAM 2	W AX
3470	3200	M - 140	M - 125	2500	SAM 1 + 42	5° 26
						10° 32
						15° 38
						20° 44
						25° 49

dimensions in mm

- GB = overall width of the unit = awning width = order width
- M = awning width
- SAM 1 = post separation, centre to centre, of the markilux syncra
- AH = unit height
- SH1 = markilux syncra post height
- H = extension
- SAM 2 = post separation, centre to centre, of the markilux pergola
- Y = the support post must be moved back a min. of 10 cm and a max. of 100 cm
- SH2 = post height of the markilux pergola

- DH = headroom
- VB = height adjustment minimum 1 to maximum 11.1 cm
- SA = separation of the support posts of the markilux pergola to the support posts of the markilux syncra
- W = awning pitch 5° to 25°, factory set at 15°
- AX = calculation value for SA
- F1/F3 = concrete foundation
- BG = armour matting basket
- t = thickness of the base plate
- * = information on angular posts

For dimensions, further technical details and configuration options please consult the pergola 110 / 210 section of the sales manual

01
02
03
04
05
06
07
08
09
10
11
12
13
14
15
16
17
18
19

20

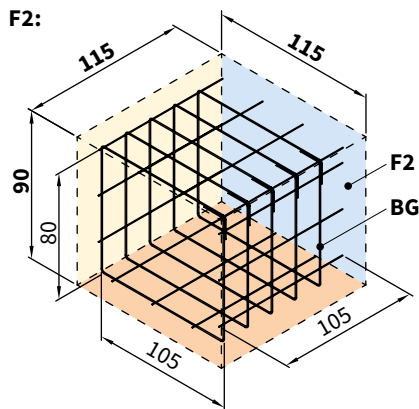
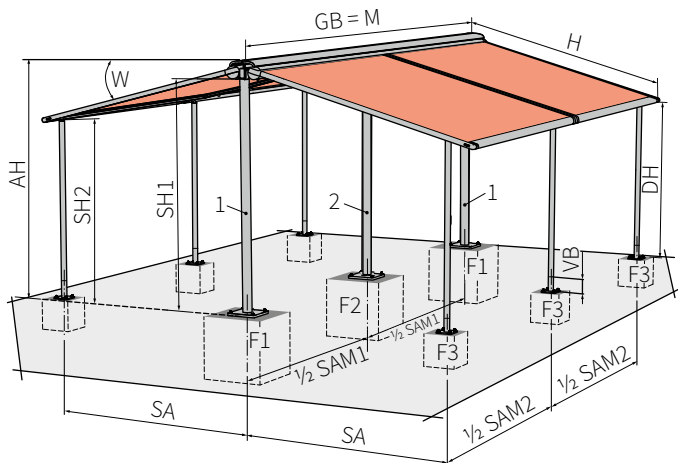
21

22

23

Installation dimensions

syncra 2 fix with markilux pergola 110 / 210 / coupled units

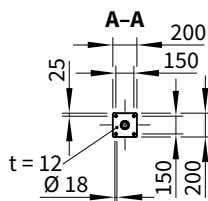
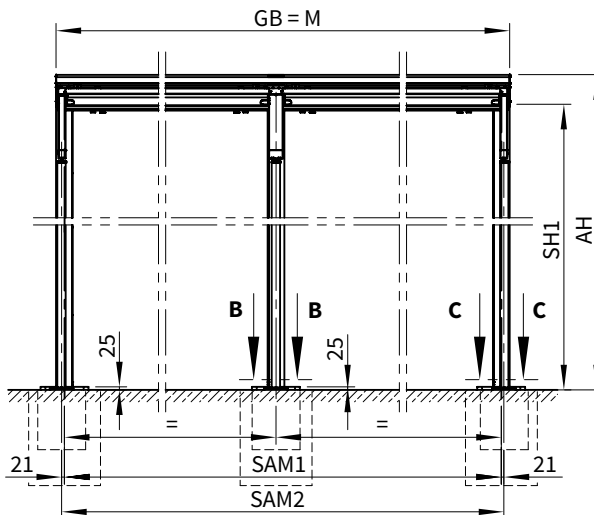
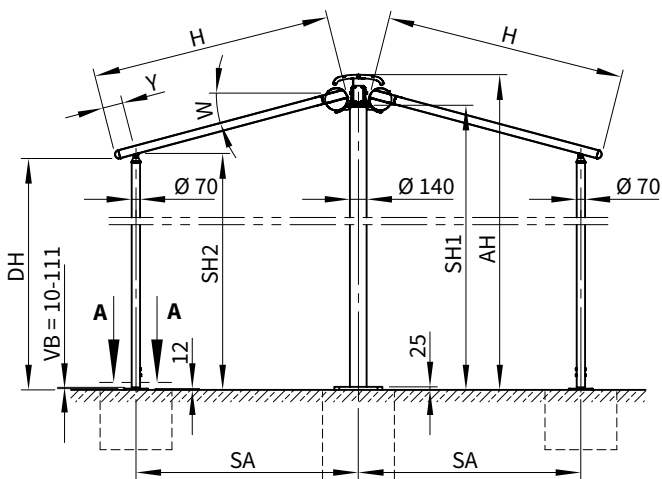


armour matting basket made from rebar matting Q188 (dimensions in cm)

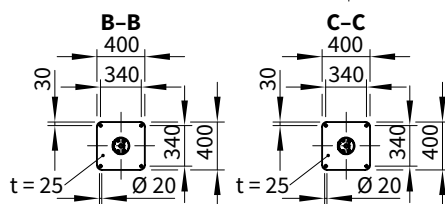
F1 and F3: see dimension overview of single unit

On site the following have to be prepared as per drawing for every post:

- a concrete base of armoured concrete with a compressive strength of C25/30 (previously B25) with an armour matting basket made of rebar matting Q188 / rebar steel Ø 6 mm
- the front base plates (F3) are to be fixed using Fischer marine-grade stainless steel anchor bolts FAZ II 16/50 and washers certified to DIN 9021 (or equivalent)
- the rear base plates (F1 and F2) are to be fixed using Fischer marine-grade stainless steel anchor bolts FAZ II 16/50 and washers certified to DIN 9021 (or equivalent)



$SA = \cos W \times (H - Y) + AX + 52,5 \text{ mm}$							
$DH = SH2 - \sin W \times Y$							
AH	SH1	SAM 1	SAM*	SH2	SAM 2		
3470	3200	M - 140	M - 125	2500	SAM 1 + 42		
						W	AX
						5°	26
						10°	32
						15°	38
20°	44						
25°	49						



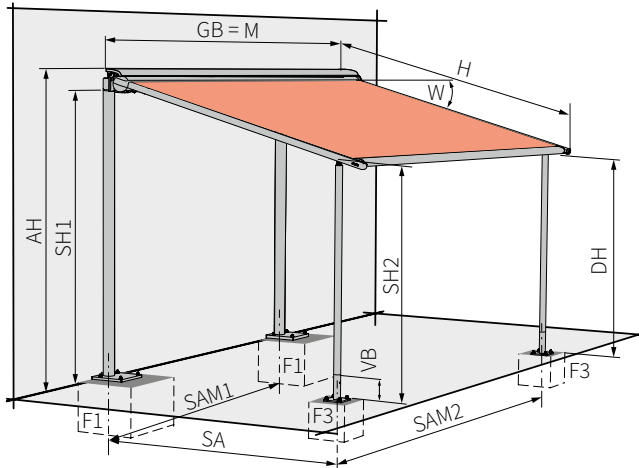
dimensions in mm

- GB = overall width of the unit = awning width = order width
- M = awning width
- SAM 1 = post separation, centre to centre, of the markilux syncra
- AH = unit height
- SH 1 = markilux syncra post height
- H = extension
- SAM 2 = post separation, centre to centre, of the markilux pergola
- Y = the support post must be moved back a min. of 10 cm and a max. of 100 cm
- SH 2 = post height of the markilux pergola
- DH = headroom
- VB = height adjustment minimum 1 to maximum 11.1 cm
- SA = separation of the support posts of the markilux pergola to the support posts of the markilux syncra
- W = awning pitch 5° to 25°, factory set at 15°
- AX = calculation value for SA
- 1 = outermost post
- 2 = central post (not required for widths up to 700 cm)
- F1/F2/F3 = concrete foundation
- BG = armour matting basket
- t = thickness of the base plate
- * = Information on angular posts

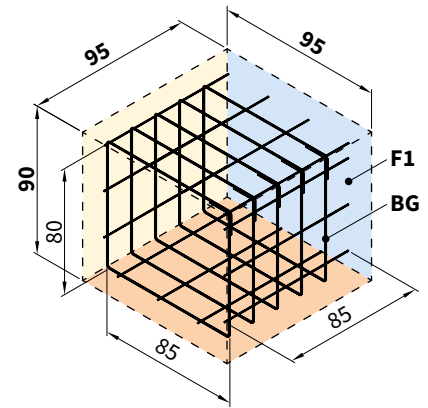
For dimensions, further technical details and configuration options please consult the pergola 110 / 210 section of the sales manual

Installation dimensions

syncra 2 uno fix with the markilux pergola 110 / 210



F1:

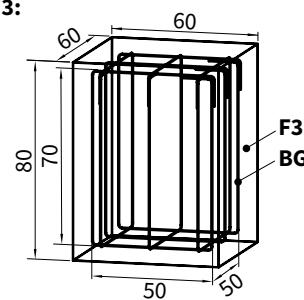


armour matting basket made from rebar matting Q188 (dimensions in cm)

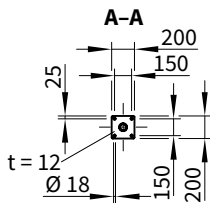
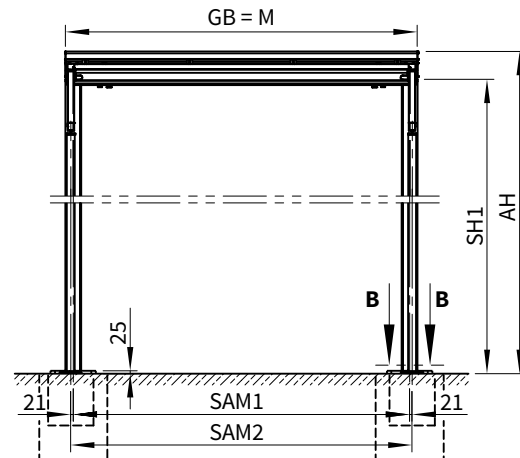
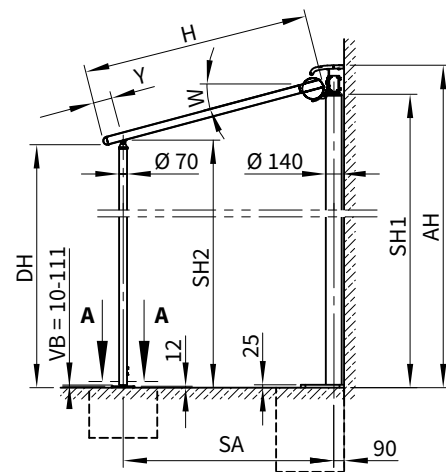
On site the following have to be prepared as per drawing for every post:

- a concrete base of armoured concrete with a compressive strength of C25/30 (previously B25) with an armour matting basket made of rebar matting Q188 / rebar steel Ø 6 mm
- the front base plates (F3) are to be fixed using Fischer anchor bolts FAZ 10/30 in marine-grade stainless steel with washers certified to DIN 9021 (or equivalent)
- the rear base plates (F1) to be fixed using Fischer marine-grade stainless steel anchor bolts FAZ II 16/50 and washers certified to DIN 9021 (or equivalent)

F3:



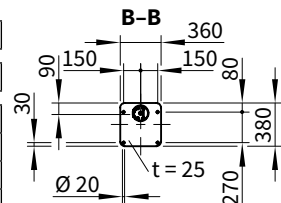
armour matting basket made of 6 pieces of steel rebar, Ø 6 mm (dimensions in cm)



$$SA = \cos W \times (H - Y) + AX + 52,5 \text{ mm}$$

$$DH = SH2 - \sin W \times Y$$

AH	SH1	SAM 1	SAM 1*	SH2	SAM 2	W	AX
3470	3200	M - 140	M - 125	2500	SAM 1 + 42	5°	26
						10°	32
						15°	38
						20°	44
						25°	49



dimensions in mm

- GB = overall width of the unit = awning width = order width
- M = awning width
- SAM 1 = post separation, centre to centre, of the markilux syncra
- AH = unit height
- SH1 = markilux syncra post height
- H = extension
- SAM 2 = post separation, centre to centre, of the markilux pergola
- Y = the support post must be moved back a min. of 10 cm and a max. of 100 cm
- SH2 = post height of the markilux pergola

- DH = headroom
- VB = height adjustment minimum 1 to maximum 11.1 cm
- SA = separation of the support posts of the markilux pergola to the support posts of the markilux syncra
- W = awning pitch 5° to 25°, factory set at 15°
- AX = calculation value for SA
- F1/F3 = concrete foundation
- BG = armour matting basket
- t = thickness of the base plate
- * = information on angular posts

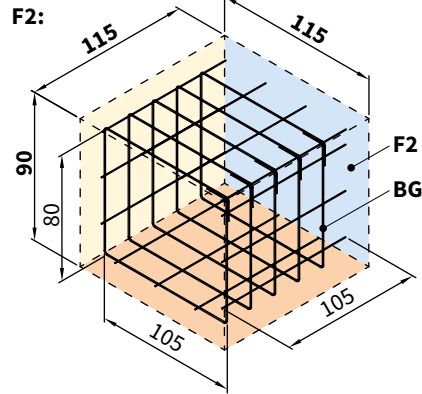
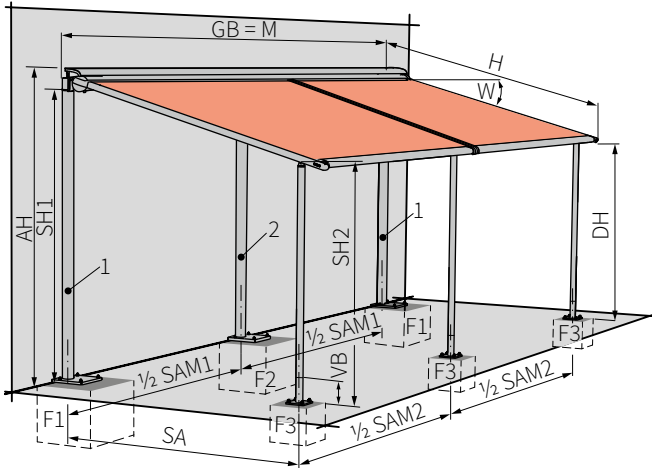
For dimensions, further technical details and configuration options please consult the pergola 110 / 210 section of the sales manual

01
02
03
04
05
06
07
08
09
10
11
12
13
14
15
16
17
18
19

20
21
22
23

Installation dimensions

syncra 2 uno fix with the markilux pergola 110 / 210 / coupled units

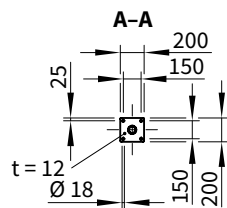
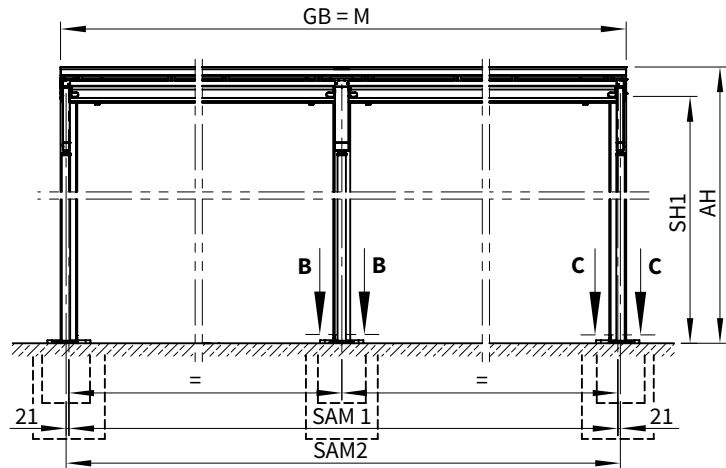
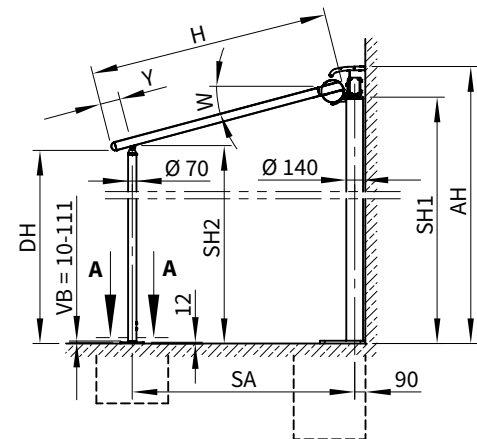


armour matting basket made from rebar matting Q188 (dimensions in cm)

F1 and F3: see dimension overview of single unit

On site the following have to be prepared as per drawing for every post:

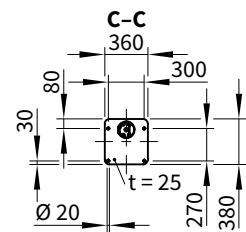
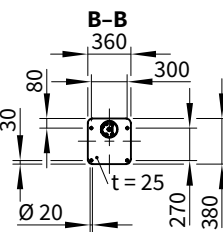
- a concrete base of armoured concrete with a compressive strength of C25/30 (previously B25) with an armour matting basket made of rebar matting Q188 / rebar steel Ø 6 mm
- the front base plates (F3) are to be fixed using Fischer marine-grade stainless steel anchor bolts FAZ II 16/50 and washers certified to DIN 9021 (or equivalent)
- the rear base plates (F1 and F2) are to be fixed using Fischer marine-grade stainless steel anchor bolts FAZ II 16/50 and washers certified to DIN 9021 (or equivalent)



$SA = \cos W \times (H - Y) + AX + 52,5 \text{ mm}$

$DH = SH2 - \sin W \times Y$

AH	SH1	SAM 1	SAM 1*	SH2	SAM 2	W	AX
3470	3200	M - 140	M - 125	2500	SAM 1 + 42	5°	26
						10°	32
						15°	38
						20°	44
						25°	49



dimensions in mm

- GB = overall width of the unit = awning width = order width
- M = awning width
- SAM 1 = post separation, centre to centre, of the markilux syncra
- AH = unit height
- SH1 = markilux syncra post height
- H = extension
- SAM 2 = post separation, centre to centre, of the markilux pergola
- Y = the support post must be moved back a min. of 10 cm and a max. of 100 cm
- SH2 = post height of the markilux pergola
- DH = headroom
- VB = height adjustment minimum 1 to maximum 11.1 cm
- SA = separation of the support posts of the markilux pergola to the support posts of the markilux syncra
- W = awning pitch 5° to 25°, factory set at 15°
- AX = calculation value for SA
- 1 = outermost post
- 2 = central post (not required for widths up to 700 cm)
- F1/F2/F3 = concrete foundation
- BG = armour matting basket
- t = thickness of the base plate
- * = Information on angular posts

For dimensions, further technical details and configuration options please consult the pergola 110 / 210 section of the sales manual